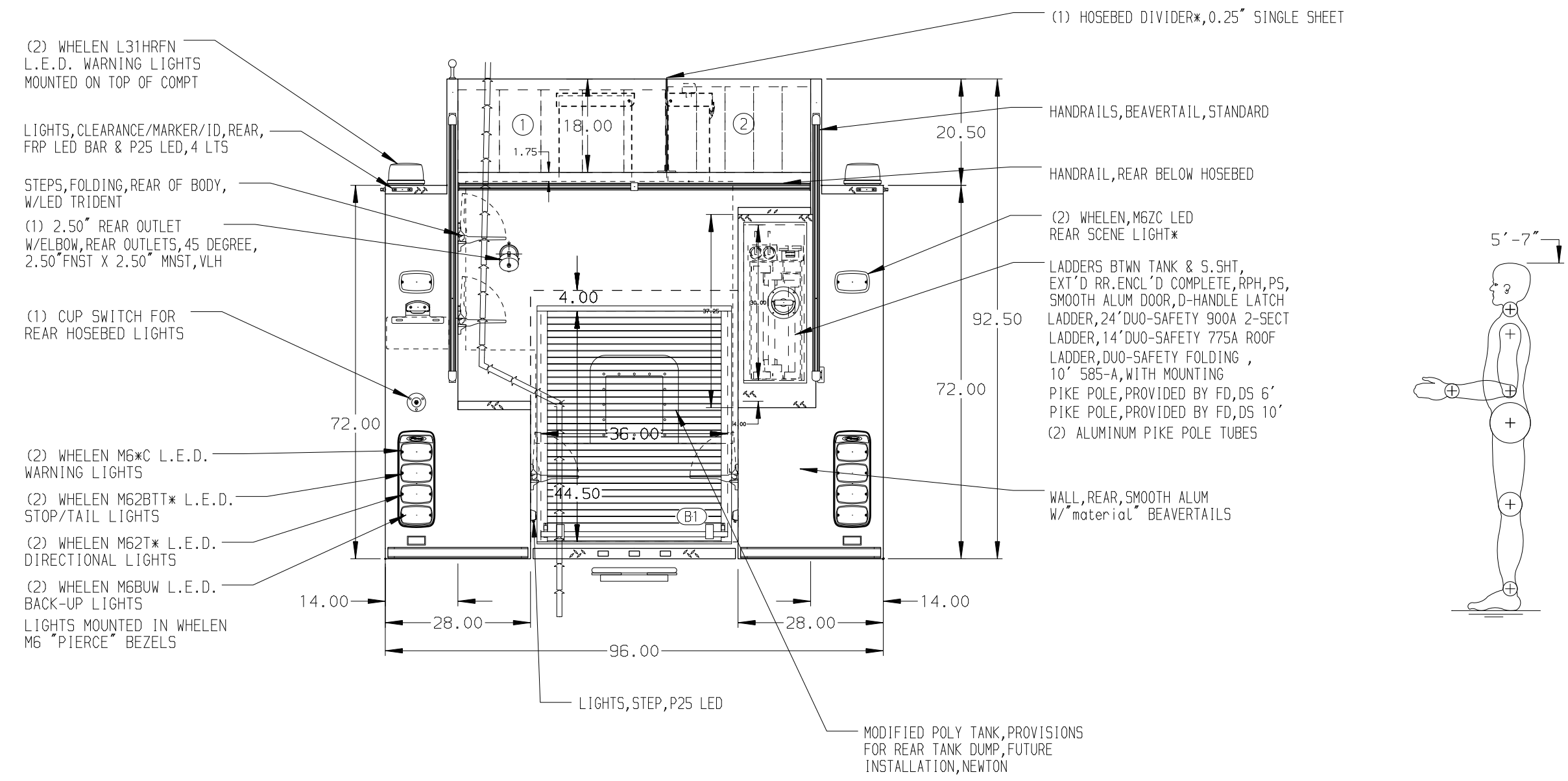
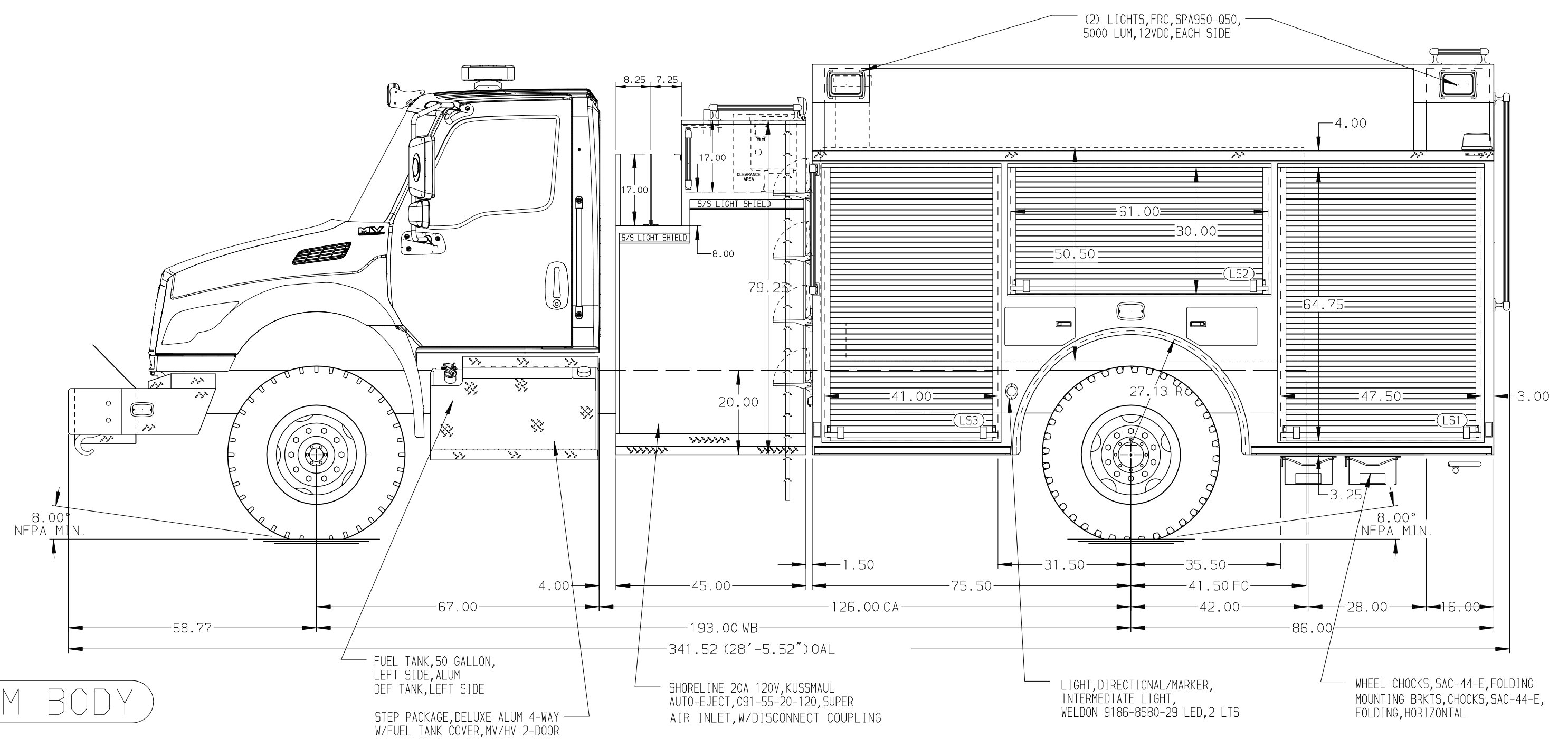


HOSEBED CAPACITY	
BED 1	
①	1000' OF 5.00" D.J. POLY HOSE
BED 2	
②	1000' OF 3.00" D.J. POLY HOSE



ALUMINUM BODY

NOTE
 DIMENSIONS SHOWN ARE APPROXIMATE AND ARE SUBJECT TO MINOR DEVIATIONS AS MAY OCCUR OR BE NECESSARY IN CONSTRUCTION.
 MINOR DETAILS NOT SHOWN.

		JOB NO.	39311														
		SCALE	DATE														
<table border="1"> <tr> <td>05JAN24</td> <td>RWR</td> <td>JAP</td> <td>IHC</td> </tr> <tr> <td>14SEP23</td> <td>RHU</td> <td>AJA</td> <td>MODEL</td> </tr> <tr> <td>REV</td> <td>DATE</td> <td>BY</td> <td>CH</td> </tr> </table>	05JAN24	RWR	JAP	IHC	14SEP23	RHU	AJA	MODEL	REV	DATE	BY	CH	TITLE	1500-D-980P, 20 FOAM 161"BDY, FL HGT FDLER, 45" SIDE CONTROL, (2) 1.5" SPEEDLAYS, 3" DELUGE	DRAWN BY	RHU	04AUG23
	05JAN24	RWR	JAP	IHC													
14SEP23	RHU	AJA	MODEL														
REV	DATE	BY	CH														
	FOR	PIERCE FIELD UNIT	CHECKED BY	AJA	07AUG23												
	DWG NO.	39311AD	SHEET SIZE	D	SHEET NO.	1 OF 1											