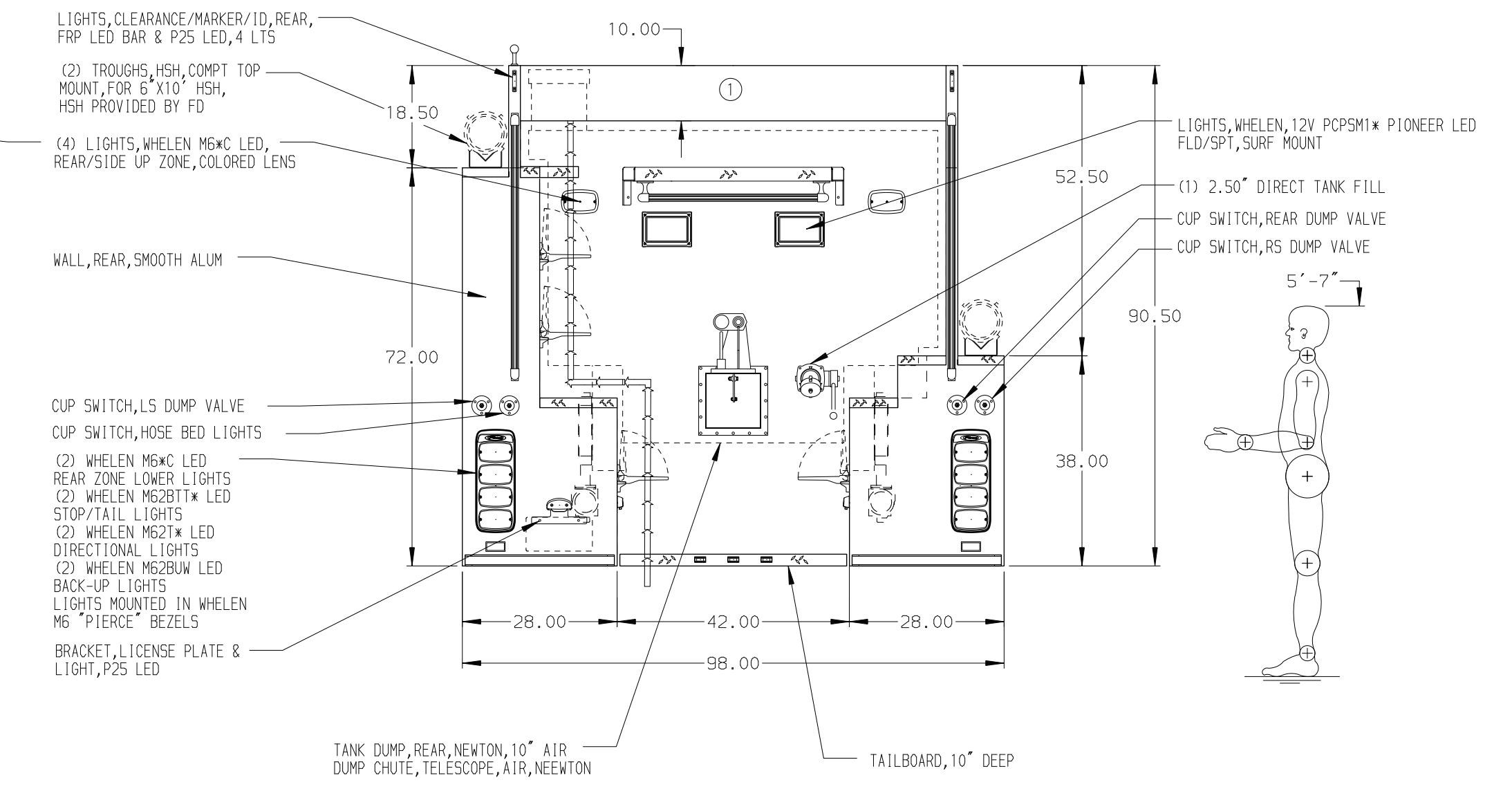
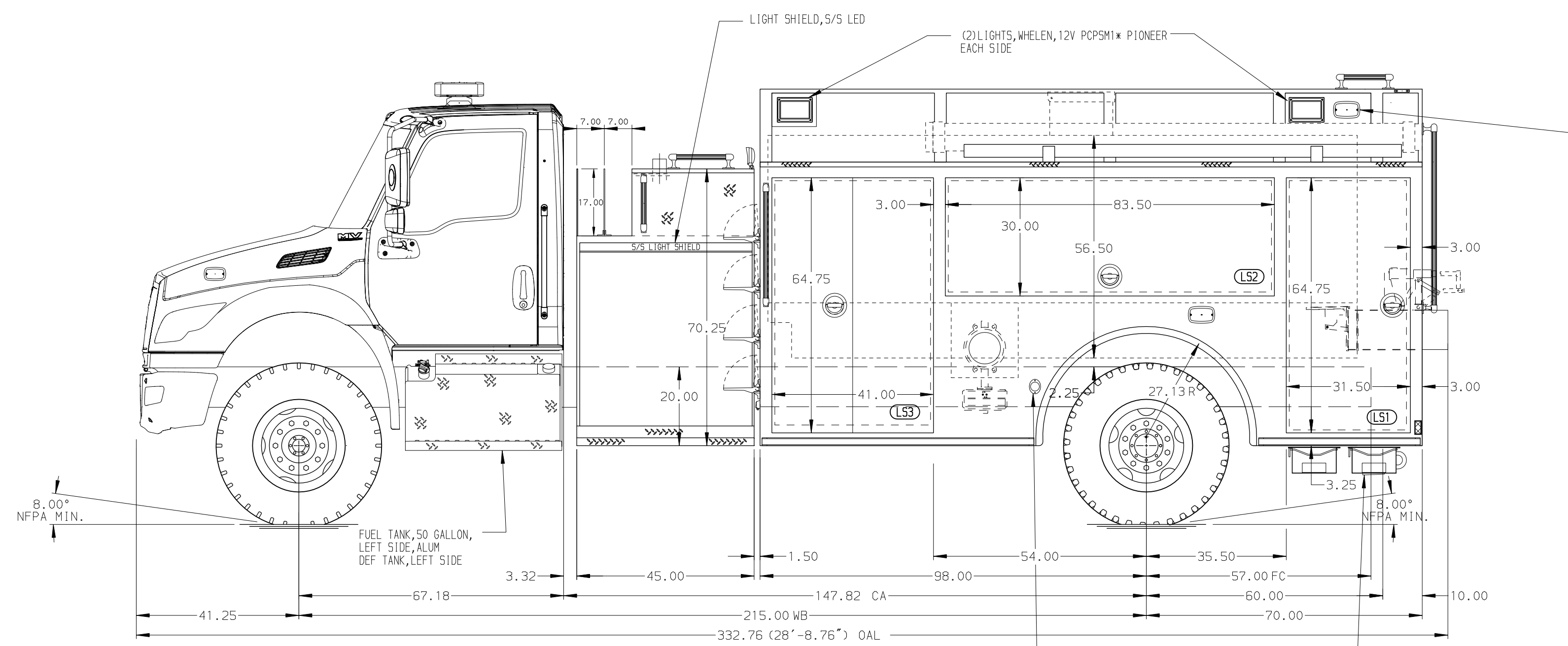


HOSEBED CAPACITIES
 ① 200' OF 2.50" D.J. POLYESTER HOSE



ALUMINUM BODY

NOTE
 DIMENSIONS SHOWN ARE APPROXIMATE AND ARE SUBJECT TO MINOR DEVIATIONS AS MAY OCCUR OR BE NECESSARY IN CONSTRUCTION. MINOR DETAILS NOT SHOWN.

		JOB NO.	39314
		SCALE	1:24
BRADENTON, FLORIDA		DATE	22MAR23
		DRAWN BY	JLA
TITLE 1500-D-2000 POLY, 168" DRYSIDE, 2ND GEN, LS HIGH, RS LOW 45" SIDE CONTROL, (2) 1.5" CROSSLAYS		CHECKED BY	AJA
		FOR	AUBURN FIRE DEPARTMENT AUBURN, MASSACHUSETTS
CHASSIS DATA MAKE NAVISTAR		SHEET SIZE	SHEET NO.
		DWG NO.	39314AD
REV	DATE	BY	CH
08APR24	RWR	CGA	
19DEC23	RWR	CAG	
02AUG23	RWR	JAP	
26APR23	RHU	AJA	