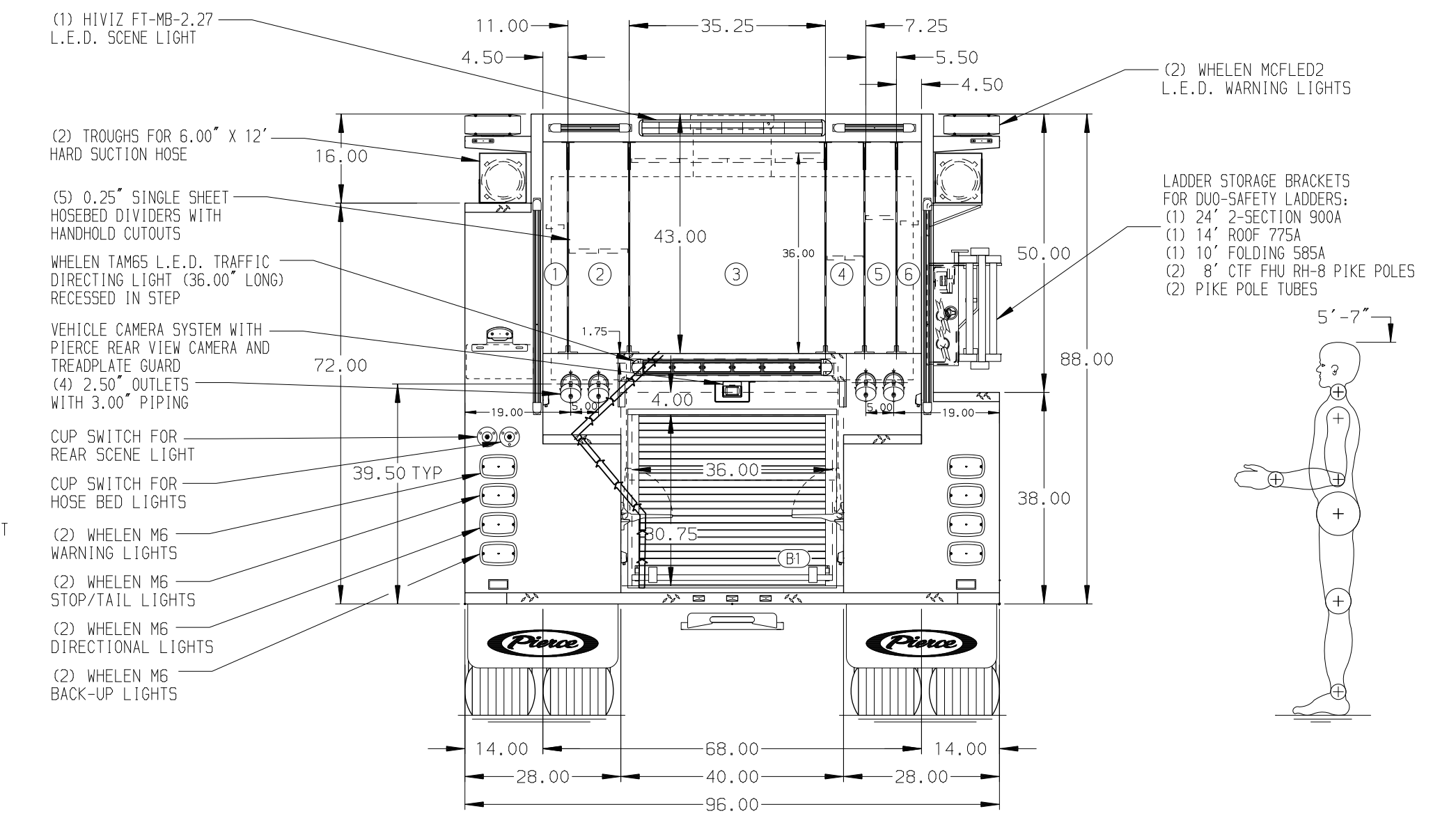
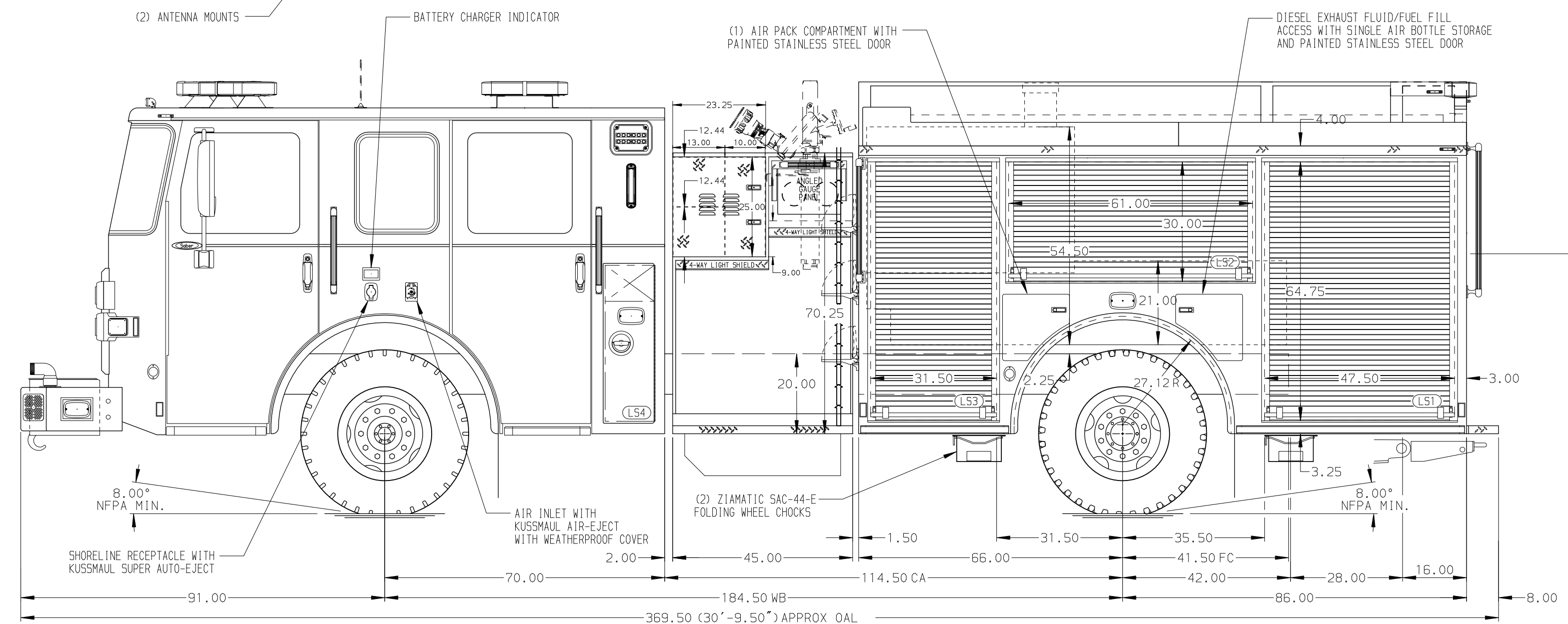


- HOSEBED CAPACITIES**
- ① - 200' OF 1.75" SNAP-TITE BT HOSE
  - ② - 300' OF 3.00" SNAP-TITE BT HOSE
  - ③ - 1200' OF 5.00" KEY HY-FLOW HOSE
  - ④ - 300' OF 1.75" SNAP-TITE BT HOSE
  - ⑤ - 200' OF 2.50" SNAP-TITE BT HOSE
  - ⑥ - 200' OF 1.75" SNAP-TITE BT HOSE



ALUMINUM BODY

MAXIMUM O.A.L. 369.50"

MAXIMUM O.A.H. 113.00"

**NOTE**  
DIMENSIONS SHOWN ARE APPROXIMATE AND ARE SUBJECT TO MINOR DEVIATIONS AS MAY OCCUR OR BE NECESSARY IN CONSTRUCTION. MINOR DETAILS NOT SHOWN.

02JAN24	RWR	JAP	CHASSIS DATA
07AUG23	VHO	JAP	MAKE
26MAY23	RWR	JAP	PIERCE
16MAY23	KLE	JAP	MODEL
16MAR23	JWO	PHA	SABER FR
REV	DATE	BY	CH

		JOB NO.	39324
		SCALE	DATE
TITLE	2000-D-750P, 750 GAL. WATER TANK, 152" FDLER PUMPER RS LADDER BRACKET, CROSSLAY COMPARTMENT, DELUGE	DRAWN BY	JWO
FOR	BOROUGH OF ROCKY HILL ROCKY HILL, NEW JERSEY	CHECKED BY	PHA
DWG NO.	39324AD	SHEET SIZE	SHEET NO.
		D	1 OF 1