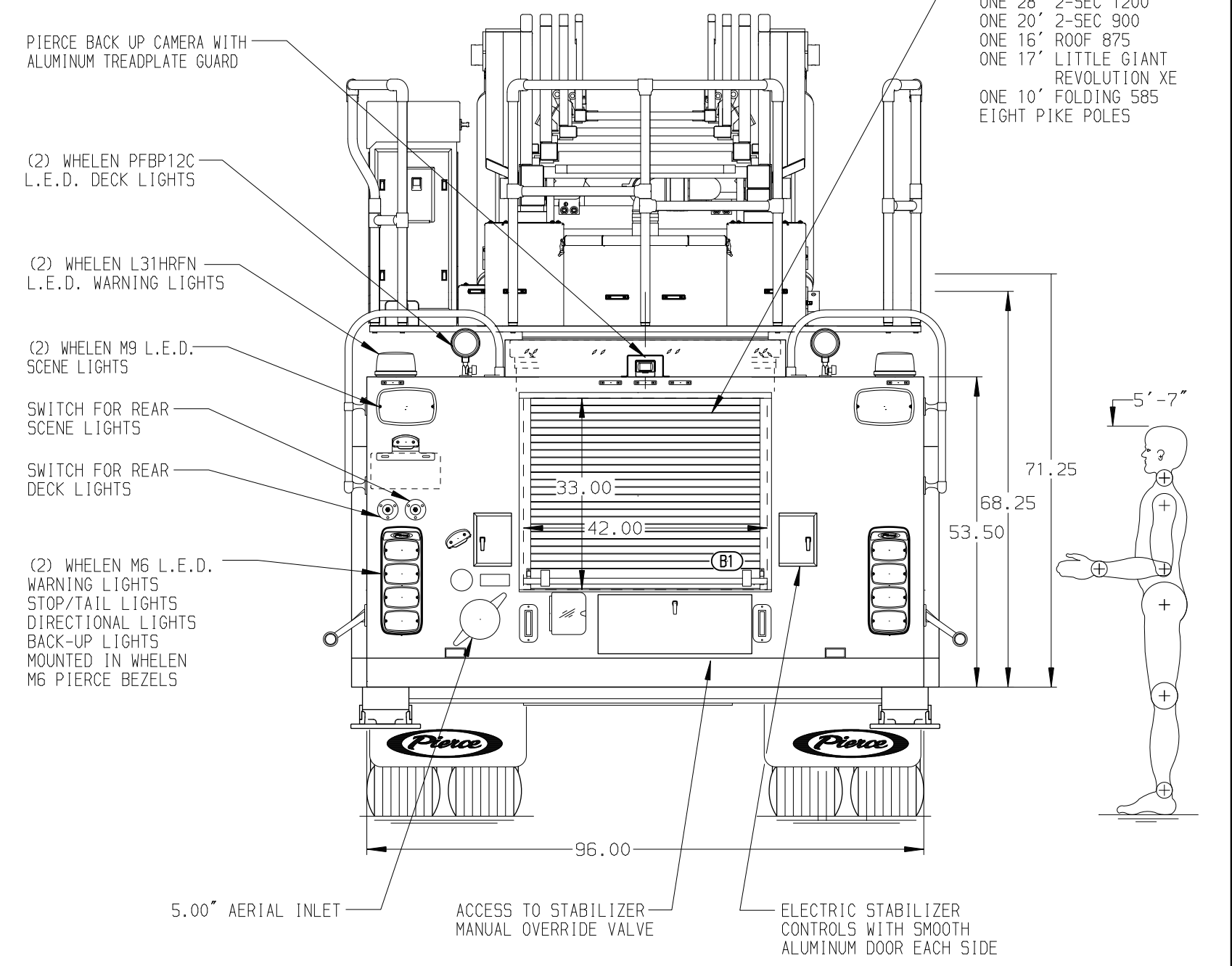
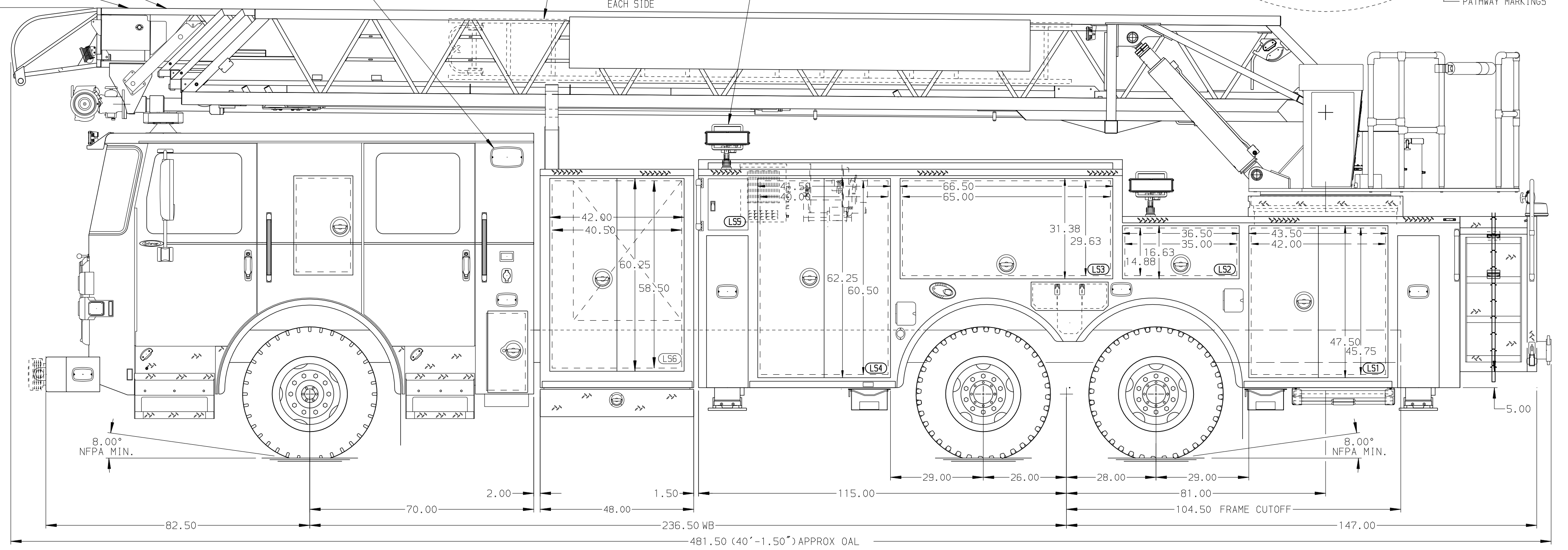


BODY
 Aerial, HD Ladder 105', Alum Body
COMPT, LEFT SIDE FRONT
 FH/FD Lap Forward w/o Chute
COMPT, LEFT SIDE REAR
 FH/FD Lap Rearward
COMPT, RIGHT SIDE FRONT
 FH/FD Lap Forward w/o Chute
COMPT, RIGHT SIDE REAR
 FH/FD Lap Rearward

EQUIPMENT STORED AT THE REAR
 ONE 35\"/>

MOUNTING BRACKETS FOR AXE AND HALLIGAN TOOL AT AERIAL FLY SECTION
 MOUNTING BRACKETS FOR PIKE POLE AT AERIAL FLY SECTION



CHASSIS Enforcer Chassis	CAB 7000 Enforcer Cab	AXLE, FRONT, CUSTOM 22,800 Lb Dana Axle	TRANSMISSION Allison 6th Gen, 4500 EV5 P	COMPARTMENT-NO PUMP 48\"/>
ENGINE 500 HP Cummins X12 Engine	BUMPER 13\"/>			
AXLE, REAR 54,000 Lb Meritor Axle	GENERATOR Harrison 10kw MCR Hydraulic			

MIN A.O.D. 11.5°

CUSTOMER APPROVAL
 APPROVED BY: _____
 DATE: _____



JOB NO. 39325
 SCALE 1:24
 DATE

NOTE
 DIMENSIONS SHOWN ARE APPROXIMATE AND ARE SUBJECT TO MINOR DEVIATIONS AS MAY OCCUR OR BE NECESSARY IN CONSTRUCTION. MINOR DETAILS NOT SHOWN.

- NO LIMITED RETRACTION REQUIRED
- SHORELINE RECEPTACLE WITH KUSSMAUL SUPER AUTO-EJECT LOCATED ON DRIVER SIDE CREW CAB
- AIR INLET WITH DISCONNECT COUPLING IN THE DRIVER SIDE STEPWELL
- BATTERY CHARGER LOCATED PER ORDER
- BATTERY CHARGE INDICATOR LOCATED ON THE DRIVER SIDE CREW CAB
- EIGHT ADJUSTABLE SHELVES LOCATED PER ORDER
- THREE SLIDE-OUT TRAYS PER ORDER
- 3.00\"/>

CHASSIS DATA	TITLE	105' AERIAL LADDER AND BODY ASSEMBLY
MAKE	FOR	NO PUMP/ NO TANK
PIERCE	FOR	NEWBURGH, CITY OF
MODEL	DWG NO.	NEWBURGH, NY
REV	DATE	BY
CH	ENFORCER	

39325AD
 SHEET NO. 1 OF 1