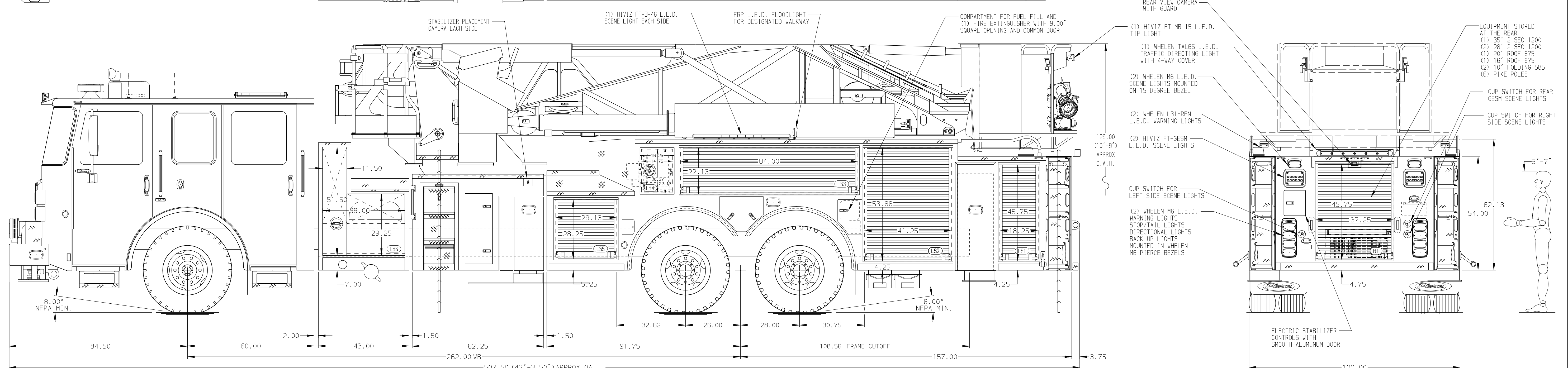


BODY
 100' Ascendant Aerial Tower No Pump Alum Body
COMPT, LEFT SIDE
 Full Height RollUp/Lap Doors
COMPT, RIGHT SIDE
 Full Height RollUp/Lap Doors



| | | | | | | | | |
|--|--|---|---|--|--|-------------------------|----------------------|------------------------|
| CHASSIS Enforcer Chassis ENGINE 605 HP Cummins X15 Engine | CAB 6000 Enforcer Cab BUMPER 15" Painted Aluminum | AXLE, FRONT, CUSTOM 24,000 Lb TAK-4 Axle AXLE, REAR 52,000 Lb Meritor Axle | TRANSMISSION Allison 6th Gen, 4500 EVS P GENERATOR Harrison 10kW MID Hydraulic | COMPARTMENT-NO PUMP 43" Compartment, No Pump, Lap Door | SAFETY Frontal Impact Protection | JOB NO. 39343 | SCALE 1:24 | DATE 08MAY23 |
|--|--|---|---|--|--|-------------------------|----------------------|------------------------|

NOTE
 DIMENSIONS SHOWN ARE APPROXIMATE AND ARE SUBJECT TO MINOR DEVIATIONS AS MAY OCCUR OR BE NECESSARY IN CONSTRUCTION. MINOR DETAILS NOT SHOWN.

- SHORELINE RECEPTACLE WITH KUSSMAUL SUPER AUTO-EJECT LOCATED ON DRIVER SIDE OF THE CAB
- AIR INLET/OUTLET IN THE DRIVER SIDE STEPPED
- BATTERY CHARGER LOCATED PER ORDER
- BATTERY CHARGE INDICATOR LOCATED ON THE DRIVER SIDE SEAT RISER
- SIX ADJUSTABLE SHELVES LOCATED PER ORDER
- NON-RAISED AERIAL PEDESTAL
- 3-IN-1 LYFECOMB BRACKETS AT AERIAL BASKET
- TWO SLIDE-OUT TRAYS PER ORDER
- ONE VERTICAL PARTITION PER ORDER
- FOUR FLOOR MOUNTED SLIDE-OUT TRAYS PER ORDER
- ONE LITTLE GIANT MODEL 13 LOCATED PER ORDER
- TWO SWING-OUT TOOLBOARDS PER ORDER
- HARRISON 10kW GENERATOR PER ORDER
- CIRCUIT BREAKER PANEL PER ORDER
- TWO 120V RECEPTACLES PER ORDER
- RUNG LIGHTING ON AERIAL LADDER PER ORDER
- DC POWER TO AERIAL TIP
- TWO REMOVEABLE FRONT STABILIZER JACK EXTENSIONS

MAX O.A.H. 129.00" EXCEEDED

| REV | DATE | BY | CH | ENFORCER |
|---------|------|-----|----|----------|
| 05JAN24 | LWE | CSH | | |
| 27SEP23 | LWE | CSH | | |
| 23JUN23 | LWE | CSH | | |
| 20JUN23 | LWE | CSH | | |

Pierce MANUFACTURING INC.

TITLE 100' ASCENDANT AERIAL TOWER AND BODY ASSEMBLY
FOR EASTCHESTER FD
 EASTCHESTER, NY
DWG NO. 39343AD

CHECKED BY NDA
SHEET SIZE D
SHEET NO. 1 OF 1