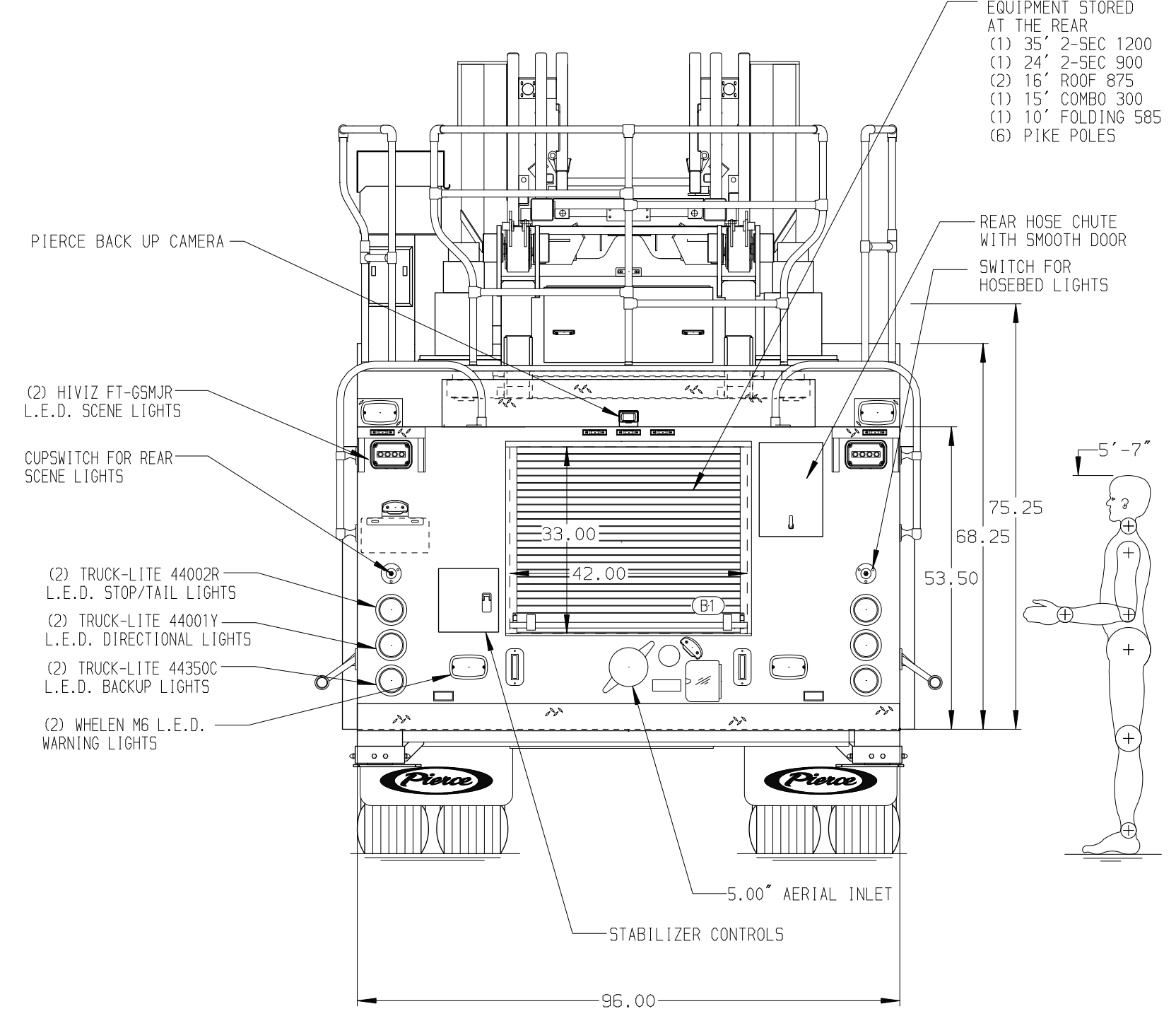


<b>BODY</b> 100' Steel Platform Alum Body <b>COMPT, LEFT SIDE FRONT</b> FH/FD Lap Forward w/o Chute <b>COMPT, LEFT SIDE REAR</b> FH/FD Lap Rearward <b>COMPT, RIGHT SIDE FRONT</b> Full Height Lap Forward <b>COMPT, RIGHT SIDE REAR</b> Full Height Lap Rearward	<b>WATER TANK</b> 500 Gallon PAP Notched Poly Water Tank <b>Foam System</b> Foam System Not Required <b>Foam Cell</b> Foam Cell Not Required
--	---



<b>CHASSIS</b> Velocity Chassis (Big Block)	<b>CAB</b> 7000 Velocity FR Cab	<b>AXLE, FRONT, CUSTOM</b> 22,800 Lb Dana Axle	<b>TRANSMISSION</b> Allison 6th Gen, 4000 EV5 P	<b>PUMPHOUSE</b> 45" Control Zone Side Mount	<b>CROSSLAYS, 1.50"</b> (2) 1.50" Special Capacity Trays	<b>SPEEDLAYS</b> Speedlays Not Required	-
<b>ENGINE</b> 605 HP Cummins X15 Engine	<b>BUMPER</b> 22" Extended Painted Steel	<b>AXLE, REAR</b> 60,000 Lb Meritor Axle		<b>PUMP</b> 1750 Darley LDMX	<b>CROSSLAYS, 2.50"</b> 2.50" Crosslay Not Required	<b>GENERATOR</b> Generator Not Required	-

**NOTE**  
 DIMENSIONS SHOWN ARE APPROXIMATE AND ARE SUBJECT TO MINOR DEVIATIONS AS MAY OCCUR OR BE NECESSARY IN CONSTRUCTION.  
 MINOR DETAILS NOT SHOWN.

- NO LIMITED RETRACTION REQUIRED
- DC POWER TO AERIAL BASKET
- SHOULDER RECEPTACLE WITH KUSSMALL SUPER AUTO-EJECT LOCATED ON DRIVER SIDE OF THE CAB
- AIR INLET WITH DISCONNECT COUPLING IN THE DRIVER SIDE STEPWELL
- BATTERY CHARGER LOCATED PER ORDER
- TWO ADJUSTABLE SHELVES LOCATED PER ORDER
- TWO SLIDE-OUT TOOLBOARDS LOCATED PER ORDER
- 3.00" RAISED AERIAL PEDESTAL
- 3-in-1 LYFCOMBO BRACKETS
- 120V POWER TO AERIAL BASKET
- SEVEN 120V RECEPTACLES PER ORDER
- RUNG LIGHTING ON AERIAL LADDER PER ORDER

REV	DATE	BY	CH	VELOCITY
22FEB24	LWE	AST		
06DEC23	LWE	AST		

		JOB NO.	39356
TITLE 100 ALUM AERIAL PLATFORM & BODY ASSEMBLY		SCALE	DATE
MAKE PIERCE		DRAWN BY	LWE 18SEPT23
FOR SOUTH AREA FIRE & EMERGENCY RESPONSE DISTRICT WAUSAU, WI		CHECKED BY	NDA 25SEP23
DWG NO. 39356AD		SHEET SIZE	SHEET NO.
		D	1 OF 1