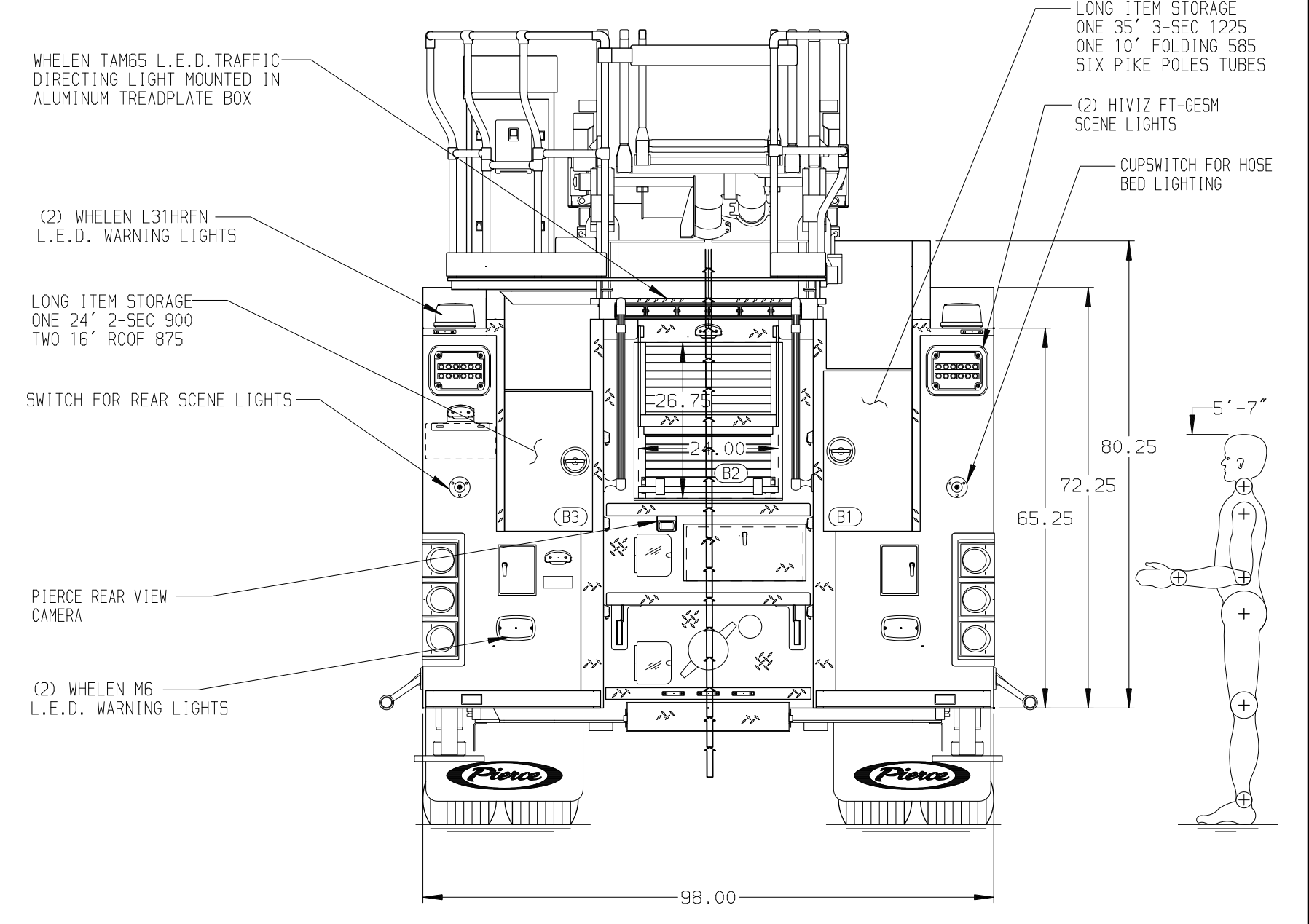
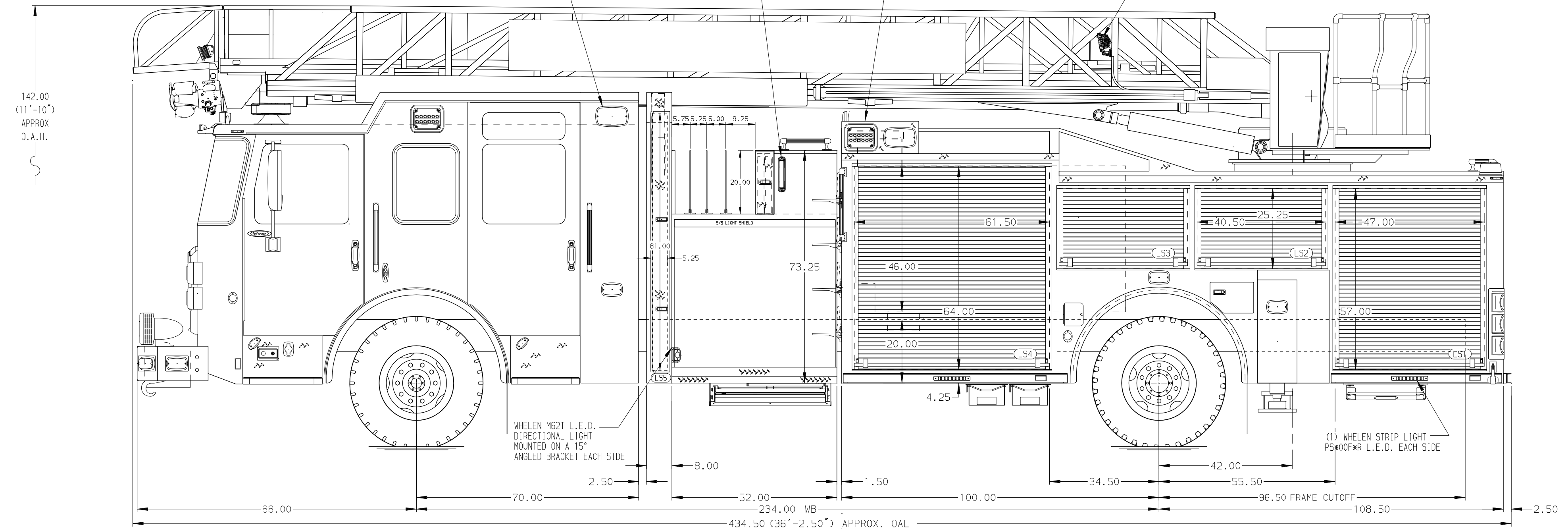
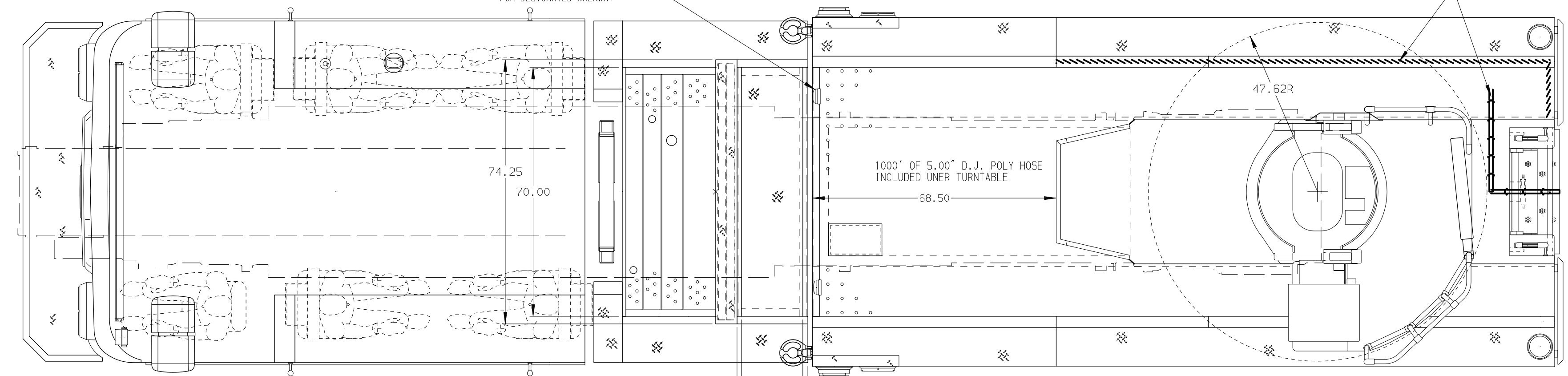


BODY	WATER TANK
75' HAL Aluminum Body	500 Gallon Poly Water Tank
COMPT, LEFT SIDE FRONT	Foam System
Full Height RollUp Forward	Foam System Not Required
COMPT, LEFT SIDE REAR	Foam Cell
Full Height RollUp Rearward	Foam Cell Not Required
COMPT, RIGHT SIDE FRONT	
Full Height RollUp Forward	
COMPT, RIGHT SIDE REAR	
Full Height RollUp Rearward	



CHASSIS	CAB	AXLE, FRONT, CUSTOM	TRANSMISSION	PUMPHOUSE	CROSSLAYS, 1.50" S.S.	DEADLAY
Enforcer Chassis	7010 Enforcer Cab, Notched	21,500 Lb Meritor Axle	Allison 5th Gen, 3000 EV5 P	52" Control Zone Side Mount	(2) 200' OF 1.75" Key Hose	(1) 300' OF 2.50" Key Hose
<b>ENGINE</b>	<b>BUMPER</b>	<b>AXLE, REAR</b>		<b>PUMP</b>	<b>CROSSLAYS, 2.50" S.S.</b>	<b>GENERATOR</b>
450 HP Cummins L9 Engine	19" Extended Painted Steel	33,500 Lb Meritor Axle		2000 GPM Waterous CSU	(1) 200' OF 2.50" Key Hose	Generator Not Required

**NOTE**  
DIMENSIONS SHOWN ARE APPROXIMATE AND ARE SUBJECT TO MINOR DEVIATIONS AS MAY OCCUR OR BE NECESSARY IN CONSTRUCTION. MINOR DETAILS NOT SHOWN.

- ONE 2.50 OUTLET WITH 2.50 PIPING AND SWIVEL LOCATED ON TOP OF BUMPER RIGHT SIDE
- SHOULDER RECEPTACLE WITH KUSSMAUL SUPER AUTO-EJECT LOCATED ON DRIVER SIDE STEP WELL
- AIR INLET/OUTLET WITH DISCONNECT COUPLING IN THE DRIVER SIDE STEPWELL
- RUNG LIGHTING ON AERIAL LADDER
- BATTERY CHARGE INDICATOR LOCATED ON DRIVER SIDE SEAT RISER WITH BRACKET
- ONE 120V RECEPTACLE IN CAB PER SHOP ORDER
- 1.50" RAISED AERIAL PEDESTAL
- 1500 GPM HIGH FLOW WATERWAY
- NO AERIAL LIMITED RETRACTION
- LIFTING EYE RESCUE ATTACHMENT AT AERIAL TIP

		JOB NO.	39418
		SCALE	DATE
TITLE	75' HAL AERIAL LADDER AND BODY ASSEMBLY	DRAWN BY	LWE
FOR	POLK COUNTY FIRE RESCUE BARTOW, FL	CHECKED BY	JJR
DWG NO.	39418AD-SH1	SHEET SIZE	SHEET NO.
		D	1 OF 2

REV	DATE	BY	CH	ENFORCER
29AUG23	LWE	JJR		
29AUG23	LWE	JJR		