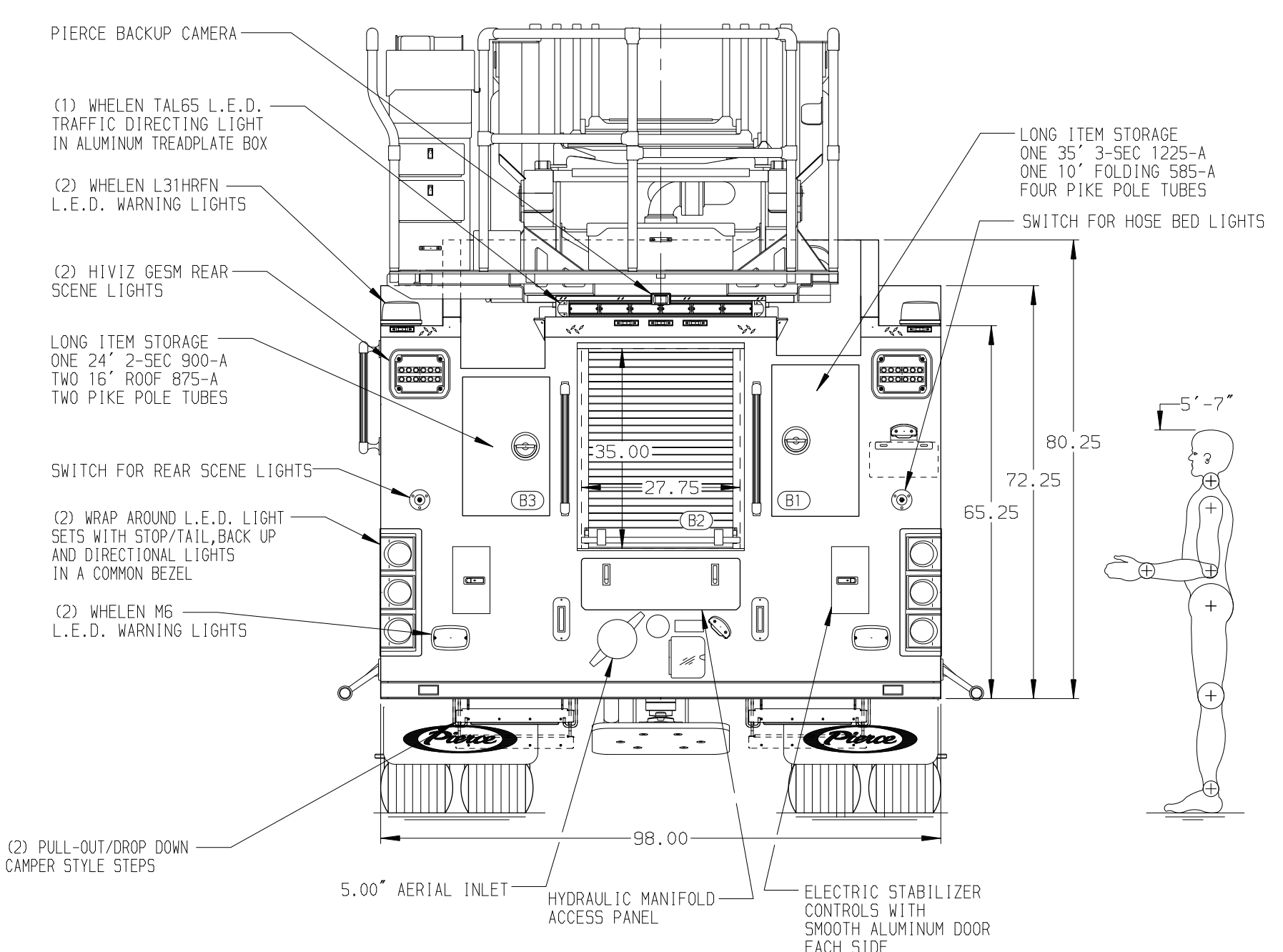
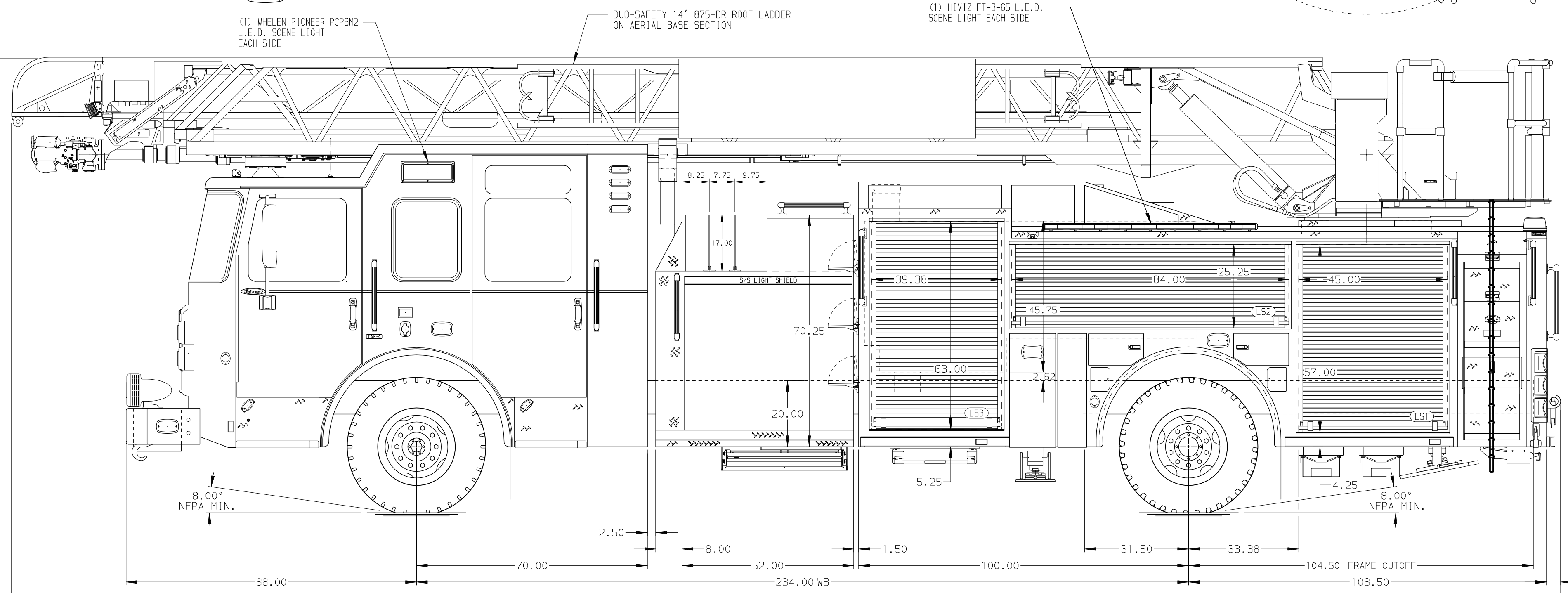


<p>BODY</p> <p>107' ASL Aluminum Body</p> <p>COMPT, LEFT SIDE FRONT Full Height RollUp Forward</p> <p>COMPT, LEFT SIDE REAR Full Height RollUp Rearward</p> <p>COMPT, RIGHT SIDE FRONT Full Height RollUp Forward</p> <p>COMPT, RIGHT SIDE REAR Full Height RollUp Rearward</p>	<p>WATER TANK</p> <p>500 Gallon Poly Water Tank</p> <p>Foam System</p> <p>Plumbing for Future Husky Foam System</p> <p>Foam Cell</p> <p>20 Gallon Foam Cell, Non Reduced Water</p>
--	---



<p>CHASSIS</p> <p>Enforcer Chassis</p> <p>ENGINE</p> <p>525 HP Cummins X12 Engine</p>	<p>CAB</p> <p>7010 Enforcer Notched Cab</p> <p>BUMPER</p> <p>19" Extended Painted Steel</p>	<p>AXLE, FRONT, CUSTOM</p> <p>22,800 Lb TAK-4 Axle</p> <p>AXLE, REAR</p> <p>33,500 Lb Meritor Axle</p>	<p>TRANSMISSION</p> <p>Allison 6th Gen, 4500 EV5 P</p>	<p>PUMPHOUSE</p> <p>52" Control Zone Side Mount</p> <p>PUMP</p> <p>2000 GPM Waterous CSU</p>	<p>CROSSLAYS, 1.50"</p> <p>(2) 1.50" Standard Capacity</p> <p>CROSSLAYS, 2.50"</p> <p>(1) 2.50" Standard Capacity</p>	<p>SPEEDLAYS</p> <p>Speedlays Not Required</p> <p>GENERATOR</p> <p>Generator Not Required</p>	<p>SAFETY</p> <p>Side Roll and Frontal Impact Protection</p>	<p>PIERCE MANUFACTURING INC.</p>	<p>JOB NO. 39450</p> <p>SCALE 1:24</p> <p>DATE</p>	
<p>NOTE</p> <p>DIMENSIONS SHOWN ARE APPROXIMATE AND ARE SUBJECT TO MINOR DEVIATIONS AS MAY OCCUR OR BE NECESSARY IN CONSTRUCTION. MINOR DETAILS NOT SHOWN.</p>									<p>TITLE</p> <p>107' ASCENDANT AERIAL LADDER AND BODY ASSEMBLY</p> <p>FOR</p> <p>520 GALLON TANK, 500 WATER/20 FOAM</p> <p>PIERCE FIELD UNIT</p> <p>APPLETON, WI</p>	<p>DRAWN BY ANZ</p> <p>CHECKED BY THS</p> <p>SHEET SIZE D</p> <p>SHEET NO. 1 OF 1</p>
<p>1. ONE 1.50" OUTLET WITH 2.00" PIPING AND SWIVEL LOCATED IN CENTER BUMPER TRAY</p> <p>2. SHOVELS RECEPTACLE WITH KUSSMAUL SUPER AUTO-EJECT LOCATED ON DRIVER SIDE OF THE CAB</p> <p>3. AIR INLET WITH DISCONNECT COUPLING IN THE DRIVER SIDE STEPWELL</p> <p>4. BATTERY CHARGER LOCATED BEHIND DRIVER SEAT</p> <p>5. BATTERY CHARGE INDICATOR LOCATED ON DRIVERS SIDE CAB</p> <p>6. DUAL L.E.D. LIGHT STRIPS LOCATED IN HOSE BED</p> <p>7. SIX ADJUSTABLE SHELVES LOCATED IN COMPARTMENTS PER ORDER</p> <p>8. THREE FLOOR MOUNTED SLIDE-OUT TRAYS LOCATED IN COMPARTMENTS PER ORDER</p> <p>9. ONE CYCLE CABINET LOCATED IN COMPARTMENT PER ORDER</p> <p>10. ONE RECEPTACLE LOCATED IN COMPARTMENT PER ORDER</p> <p>11. NON-RAISED AERIAL PEDESTAL</p> <p>12. 1500 GPM HIGH FLOW WATERWAY</p> <p>13. LIMITED RETRACTION NOT REQUIRED</p> <p>14. MOUNTING PROVISIONS FOR FRONT INLET</p> <p>15. RUNG LIGHTING ON AERIAL LADDER</p>									<p>CHASSIS DATA</p> <p>MAKE PIERCE</p> <p>MODEL ENFORCER</p>	<p>DWG NO. 39450AD</p>