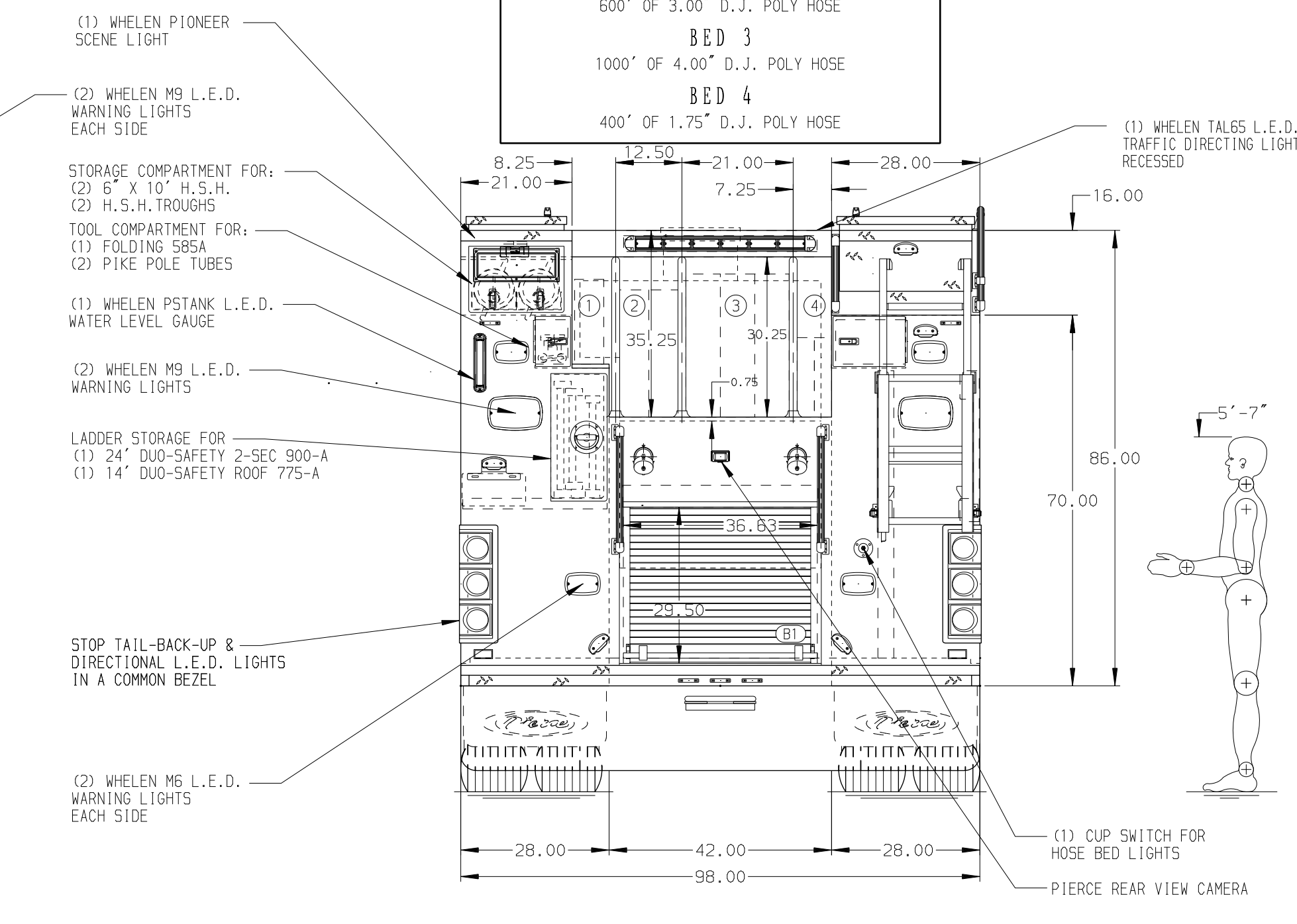
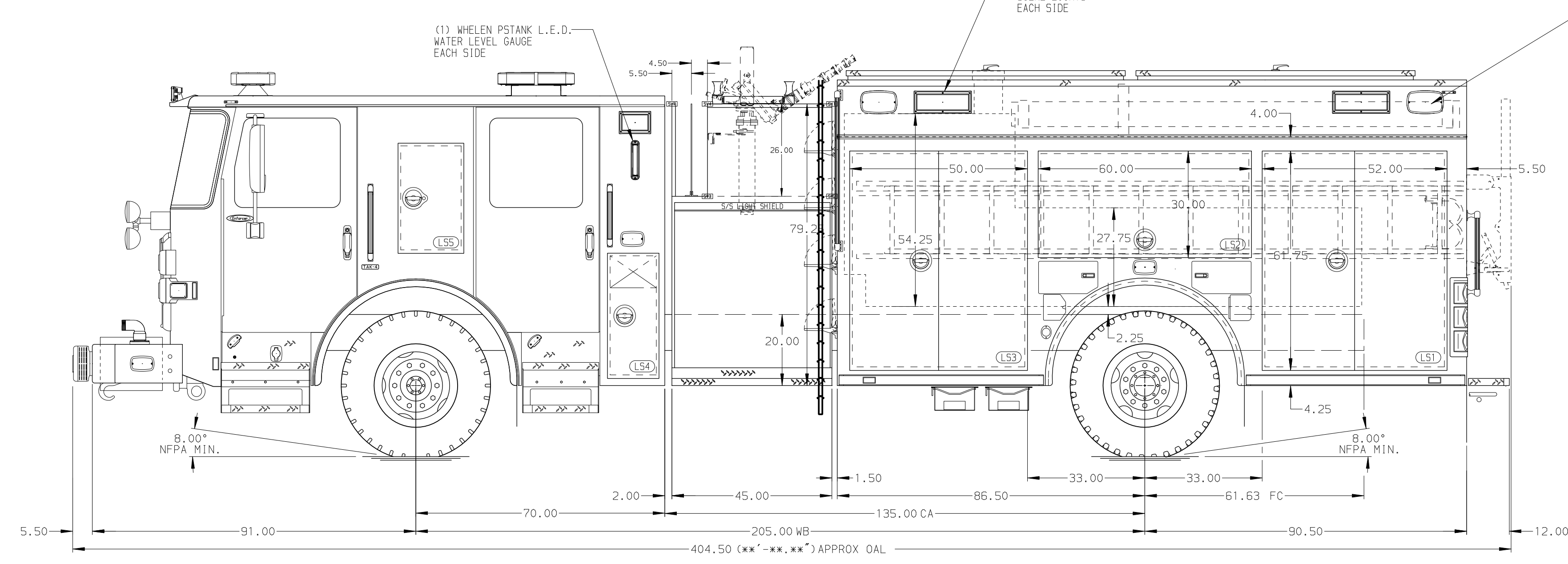


BODY Pumper, HDRP, Aluminum	WATER TANK 750 Gallon Poly Water Tank
COMPT, LEFT SIDE 177" Lap Full Height & Depth Front & Rear	Foam System Foam System Not Required
COMPT, RIGHT SIDE 177" Lap Full Height & Depth Front & Rear	Foam Cell Foam Cell Not Required
COMPT, REAR 29.50" FF RollUp Rear Compt w/Tailboard	

HOSEBED CAPACITY	
BED 1	200' OF 3.00" D.J. POLY HOSE
BED 2	600' OF 3.00" D.J. POLY HOSE
BED 3	1000' OF 4.00" D.J. POLY HOSE
BED 4	400' OF 1.75" D.J. POLY HOSE



CHASSIS Enforcer Chassis	CAB 7000 Enforcer Cab	AXLE, FRONT, CUSTOM 22,800 Lb TAK-4 Axle	TRANSMISSION Allison 6th Gen, 4000 EV5 P	PUMPHOUSE 45" Control Zone Side Mount	CROSSLAYS, 1.50" (2) 1.50" Standard Capacity	SPEEDLAYS Speedlays Not Required	SAFETY Side Roll and Frontal Impact Protection
ENGINE 500 HP Cummins X12 Engine	BUMPER 22" Extended Painted Steel	AXLE, REAR 31,000 Lb Dana Axle		PUMP 1500 GPM Hole QMAX	CROSSLAYS, 2.50" 2.50" Crosslay Not Required	GENERATOR Generator Not Required	

NOTE
DIMENSIONS SHOWN ARE APPROXIMATE AND ARE SUBJECT TO MINOR DEVIATIONS AS MAY OCCUR OR BE NECESSARY IN CONSTRUCTION. MINOR DETAILS NOT SHOWN.

- ONE 2.50 OUTLET WITH 2.50 PIPING AND SWIVEL LOCATED ON TOP BUMPER LEFT SIDE
- SHORELINE RECEPTACLE WITH KUSSMAUL SUPER AUTO-EJECT LOCATED ON DRIVER SIDE STEPWELL
- AIR INLET WITH DISCONNECT COUPLING IN THE DRIVER SIDE STEPWELL
- BATTERY CHARGER LOCATED PER ORDER
- AUTOMATIC TIRE CHAINS

19MAR24	MMF	CSH	CHASSIS DATA
08FEB24	MMF	CSH	MAKE
27NOV23	BST	DTJ	PIERCE
17NOV23	MMF	CSH	MODEL
25SEP23	MMF	CSH	ENFORCER
REV	DATE	BY	CH

	JOB NO.	39602
	SCALE	1:24
TITLE	Pierce Pumper Approval Drawing	DATE
FOR	Marshall Vol Fire Department	DRAWN BY
DWG NO.	39602AD-SH1	MMF
		CHECKED BY
		AMI
		SHEET SIZE
		D
		SHEET NO.
		1 OF 2