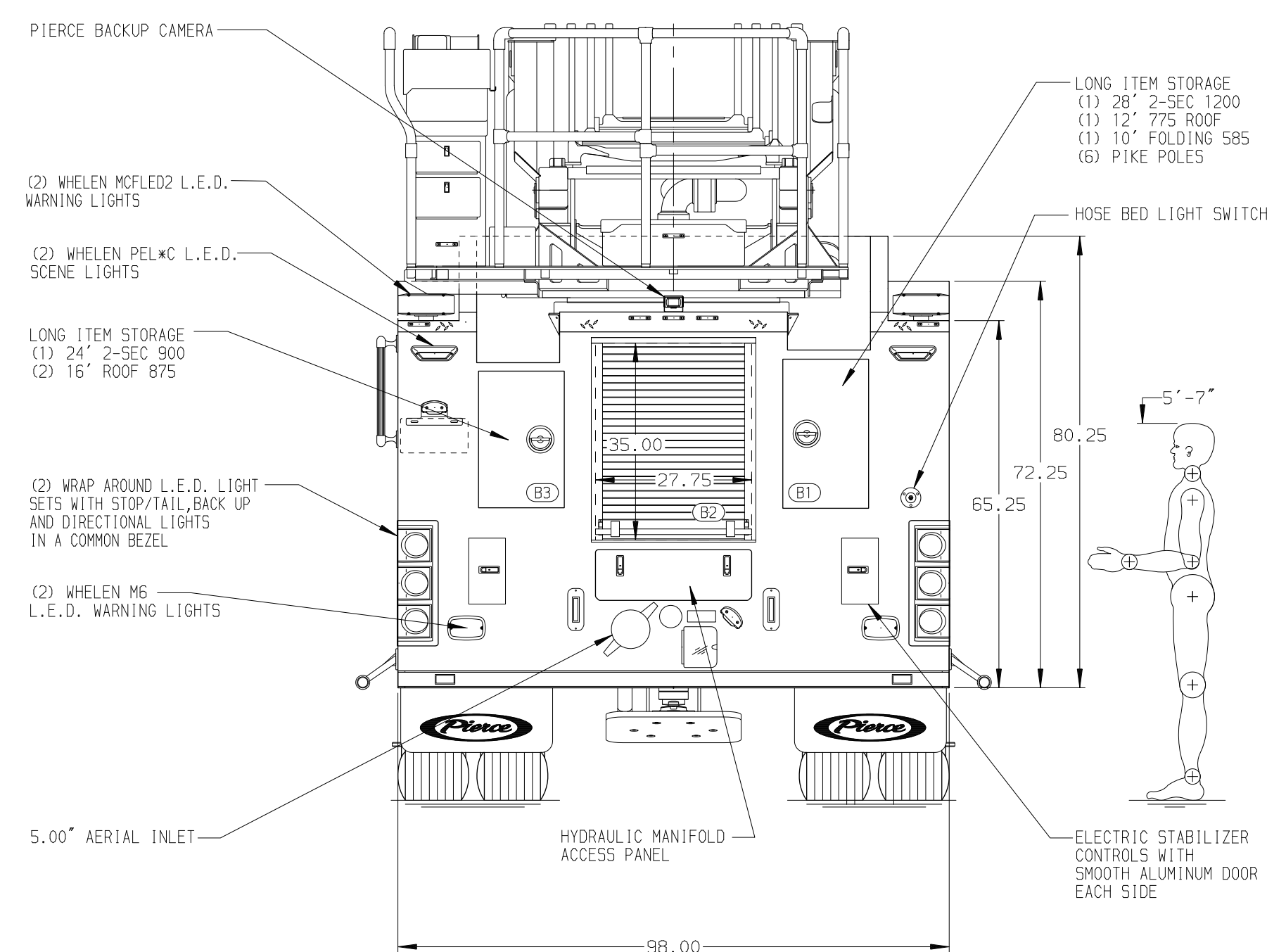
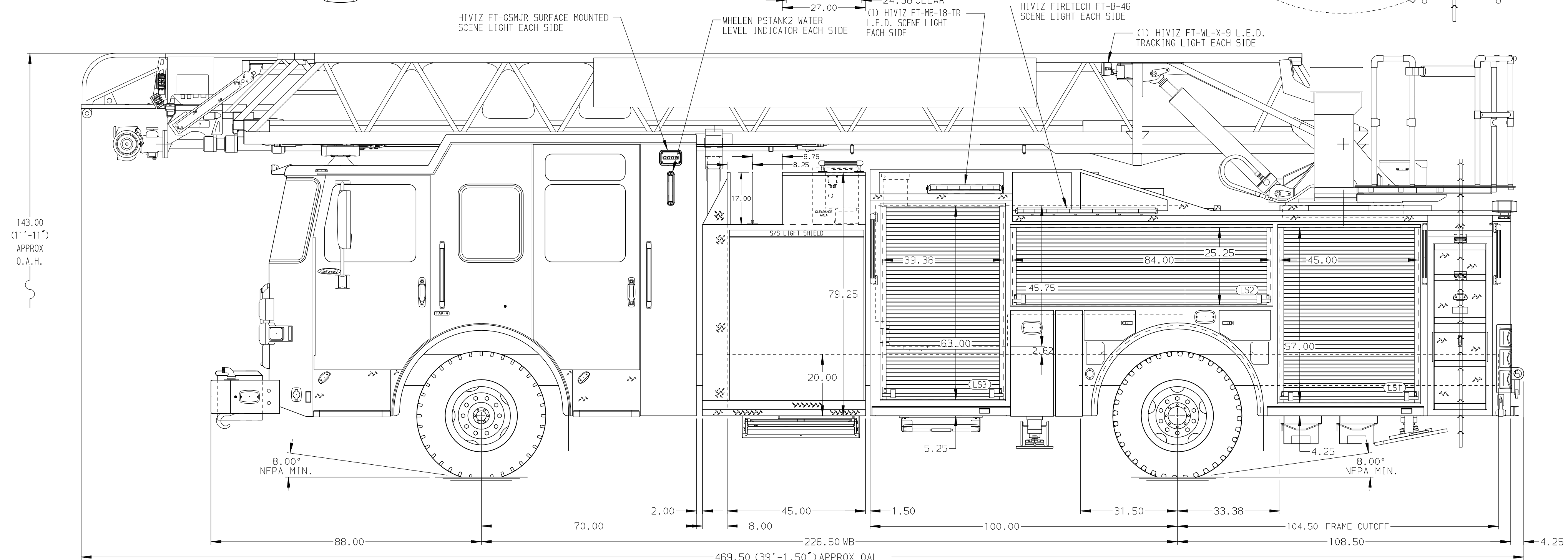


BODY 107' ASL Aluminum Body COMPT, LEFT SIDE FRONT Full Height RollUp Forward COMPT, LEFT SIDE REAR Full Height RollUp Rearward COMPT, RIGHT SIDE FRONT Full Height RollUp Forward COMPT, RIGHT SIDE REAR Full Height RollUp Rearward	WATER TANK 500 Gallon Poly Water Tank Foam System Husky 3 Single Agent Foam System Foam Cell 20 Gallon Foam Cell
---	--



CHASSIS Enforcer Chassis 450 HP Cummins L9 Engine	CAB 7010 Notched Enforcer Cab BUMPER 19" Extended Painted Steel	AXLE, FRONT, CUSTOM 22,800 Lb TAK-4 Axle AXLE, REAR 33,500 Lb Meritor Axle	TRANSMISSION Allison 6th Gen, 3000 EV5 P	PUMPHOUSE 45" Control Zone Side Mount PUMP 2000 GPM Waterous CSU	CROSSLAYS, 1.50" (1) 1.50" Standard Capacity CROSSLAYS, 2.50" (1) 2.50" Standard Capacity	SPEEDLAYS Speedlays Not Required GENERATOR Generator Not Required	-
--	--	---	--	---	--	--	---

Pierce MANUFACTURING INC.		JOB NO.	39606
		SCALE	DATE
		1:24	23MAY23
		DRAWN BY	LWE
		CHECKED BY	NAK
		SHEET SIZE	SHEET NO.
		D	1 OF 1

NOTE
 DIMENSIONS SHOWN ARE APPROXIMATE AND ARE SUBJECT TO MINOR DEVIATIONS AS MAY OCCUR OR BE NECESSARY IN CONSTRUCTION. MINOR DETAILS NOT SHOWN.

- NO LIMITED RETRACTION REQUIRED
- TWO 1.50 OUTLETS WITH 2.00 PIPING AND SWIVEL LOCATED ON TOP OF BUMPER
- SHOULDER RECEPTACLE WITH KISSMALL SUPER AUTO-EJECT LOCATED ON DRIVER SIDE OF FRONT CAB
- AIR INLET WITH DISCONNECT COUPLING IN THE DRIVER SIDE BUMPER
- BATTERY CHARGER LOCATED PER ORDER
- SEVEN ADJUSTABLE SHELVES LOCATED PER ORDER
- TWO FLOOR MOUNTED SLIDE-OUT TRAY LOCATED PER ORDER
- NON-RAISED AERIAL PEDESTAL
- LIFTING EYE ROPE RESCUE ATTACHMENT AT AERIAL TIP
- 1500 GPM HIGH FLOW WATERWAY
- ONE SWING-OUT TOOLBOARDS PER ORDER
- RUNG LIGHTING ON AERIAL LADDER
- AC POWER TO AERIAL TIP
- TWO VERTICAL PARTITIONS PER ORDER
- FOUR 120V RECEPTACLE PER ORDER

CHASSIS DATA	TITLE	107' ASCENDANT AERIAL LADDER AND BODY ASSEMBLY
MAKE	FOR	NORTH PLATTE FIRE DEPARTMENT
PIERCE		NORTH PLATTE, NE
MODEL	DWG NO.	39606AD
ENFORCER		