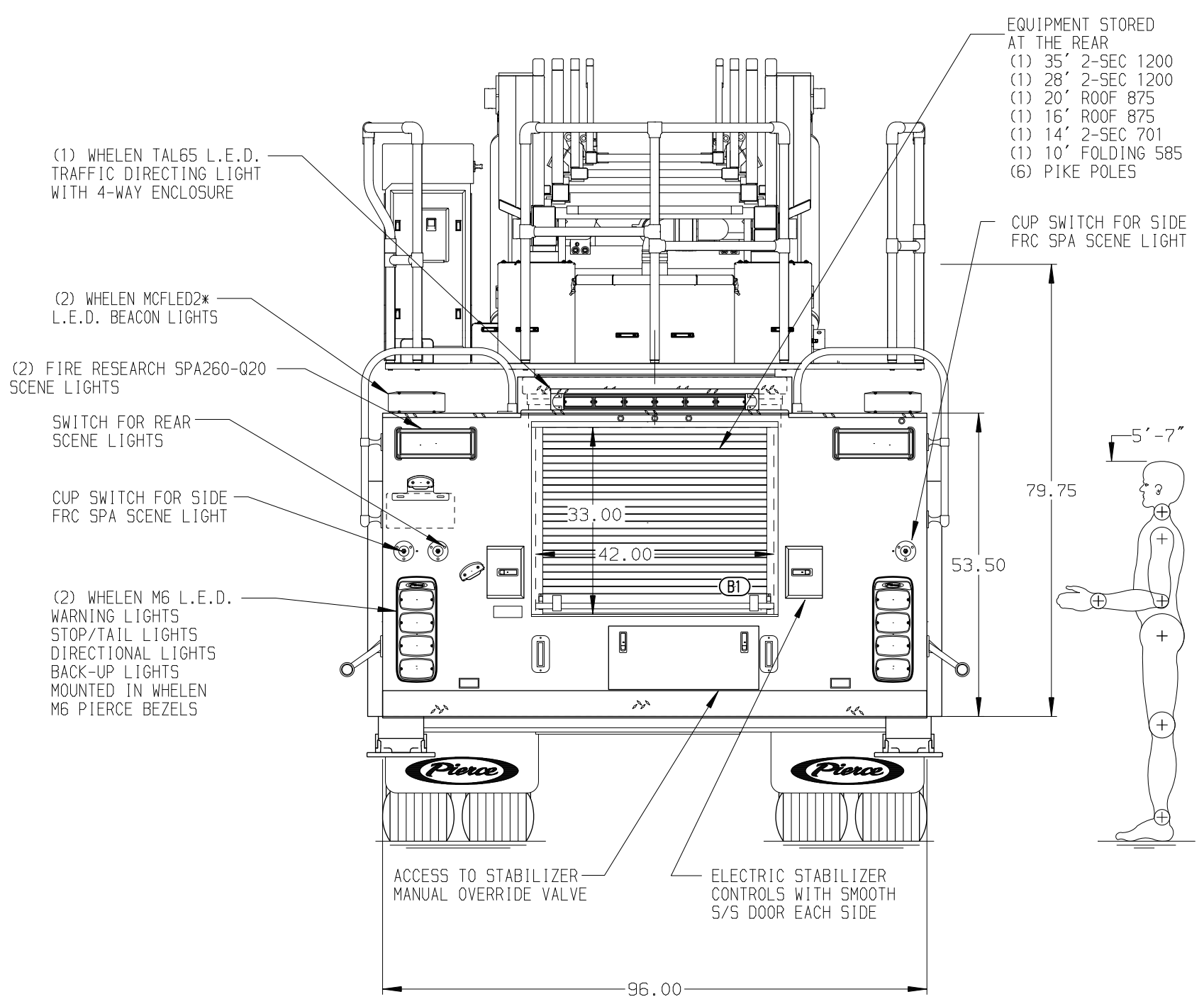
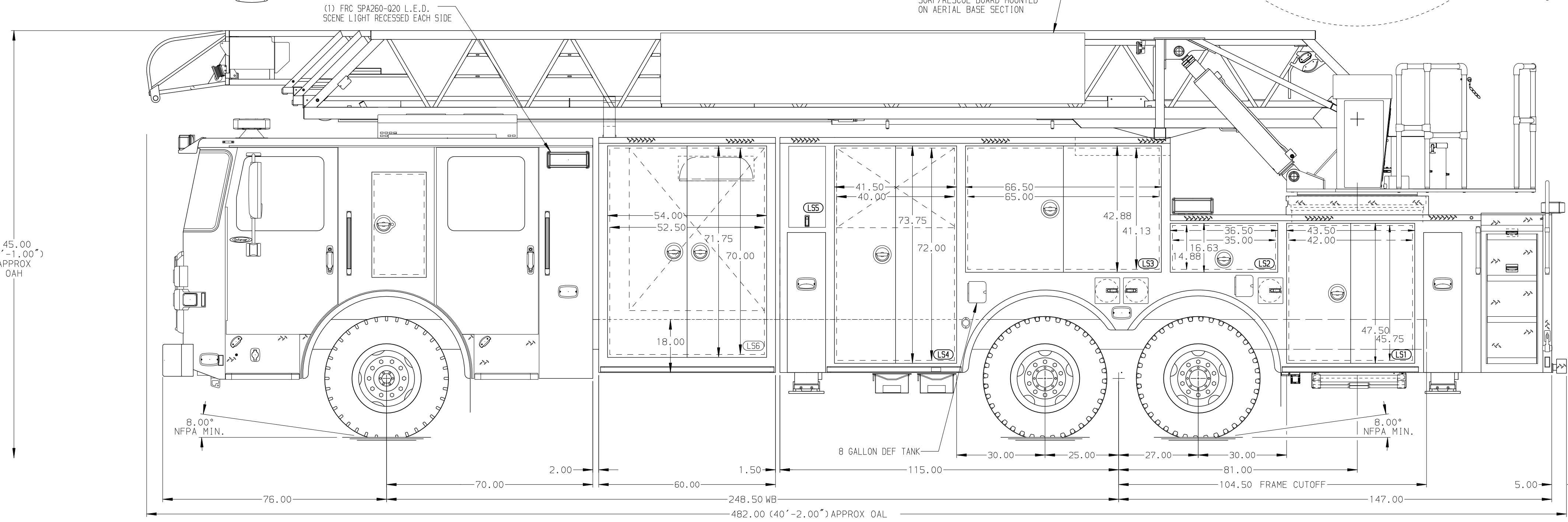


BODY
 Aerial, HD Ladder 105', Alum Body
COMPT, LEFT SIDE FRONT
 FH/FD Lap Forward w/o Chute
COMPT, LEFT SIDE REAR
 FH/FD Lap Rearward
COMPT, RIGHT SIDE FRONT
 FH/FD Lap Forward w/o Chute
COMPT, RIGHT SIDE REAR
 FH/FD Lap Rearward



CHASSIS Enforcer Chassis ENGINE 605 HP Cummins X15 Engine	CAB 7000 Notched Enforcer Cab BUMPER Non-Extended Painted Steel	AXLE, FRONT, CUSTOM 19,500 Lb TAK-4 Axle AXLE, REAR 48,000 Lb Meritor Axle	TRANSMISSION Allison 6th Gen, 4500 EVS P GENERATOR Generator Not Required	COMPARTMENT-NO PUMP 60" Wide w/Double Doors	SAFETY Side Roll and Frontal Impact Protection
--	--	---	--	---	--

NOTE
 DIMENSIONS SHOWN ARE APPROXIMATE AND ARE SUBJECT TO MINOR DEVIATIONS AS MAY OCCUR OR BE NECESSARY IN CONSTRUCTION. MINOR DETAILS NOT SHOWN.

- NO LIMITED RETRACTION REQUIRED
- SHORELINE RECEPTACLE WITH KUSSMALL SUPER AUTO-EJECT LOCATED ON DRIVER SIDE OF THE CAB
- AIR INLET WITH DISCONNECT COUPLING IN THE DRIVER SIDE STEPWELL
- BATTERY CHARGER LOCATED PER ORDER
- TEN ADJUSTABLE SHELVES LOCATED PER ORDER
- THREE FLOOR MOUNTED SLIDE-OUT TRAY LOCATED PER ORDER
- 3.00" RAISED AERIAL PEDestal
- LIFTING ROPE RESCUE ATTACHMENT AT AERIAL TIP
- RUNG LIGHTING ON AERIAL LADDER
- AKRON 1494 LADDER PIPE PER ORDER

- TWO TILT/SLIDE-OUT TRAYS PER ORDER
- TWO FLOOR MOUNTED (1/2) TRANS TRAYS PER ORDER
- TWO TOOLBOARDS ADDED TO SLIDE-OUT TRAYS PER ORDER
- ONE 2-WAY SLIDE-OUT TOOLBOARD PER ORDER
- ONE VERTICAL PARTITION PER ORDER
- TWO FLOOR EXTENTIONS PER ORDER

		JOB NO.	39635	
		SCALE	DATE	
CHASSIS DATA TITLE 105' HSL AERIAL LADDER AND BODY ASSEMBLY MAKE PIERCE FOR PEBBLE BEACH COMMUNITY SERVICE DIST. PEBBLE BEACH, CA MODEL DWG NO. 39635AD		DRAWN BY	LWE	110CT23
REV 02JULY24 LWE CLM 10APR24 LWE CLM 14MAR24 LWE CLM 10JAN24 LWE CLM DATE BY CH ENFORCER		CHECKED BY	NAK	130CT23
		SHEET SIZE	D	SHEET NO. 1 OF 1