

PUMPER BODY

Long Aluminum 2nd Gen Pumper

CHASSIS

Enforcer Chassis

CHASSIS AXLE, FRONT, CUSTOM

19,500 Lb TAK-4 Axle

AXLE, REAR

27,000 Lb Meritor Axle

ENGINE

450 HP Cummins L9 Engine

TRANSMISSION

Allison 6th Gen, 3000 EVS P

BUMPER

19" Extended Painted Steel

CAB

7010 Enforcer Cab

BODY TOTAL TANK CAPACITY

780 Gallon New York Style Poly Tank

WATER CAPACITY

750 Gallons of Water

FOAM CELL

30 Gallon Foam Cell

COMPT, PUMPER, REAR

30.75" FF RollUp Rear Compt

COMPT, PUMPER, LEFT SIDE

171" Lap Full Height & Depth Front & Rear

COMPT, PUMPER, RIGHT SIDE

171" Lap Full Height & Depth Front & Rear BIB

FIRE SUPPRESSION PUMPHOUSE

56" Control Zone Side Mount

PUMP

1500 GPM Hole QMAX

CROSSLAYS, 1.50"

1.50" Crosslays Not Required

CROSSLAYS, 2.50"

2.50" Crosslay Not Required

SPEEDLAYS

(2) 1.50" W/Troy Std. Capacity
(1) 2.50" W/Troy Std. Capacity

GENERATOR

Generator Not Required

FOAM SYSTEM

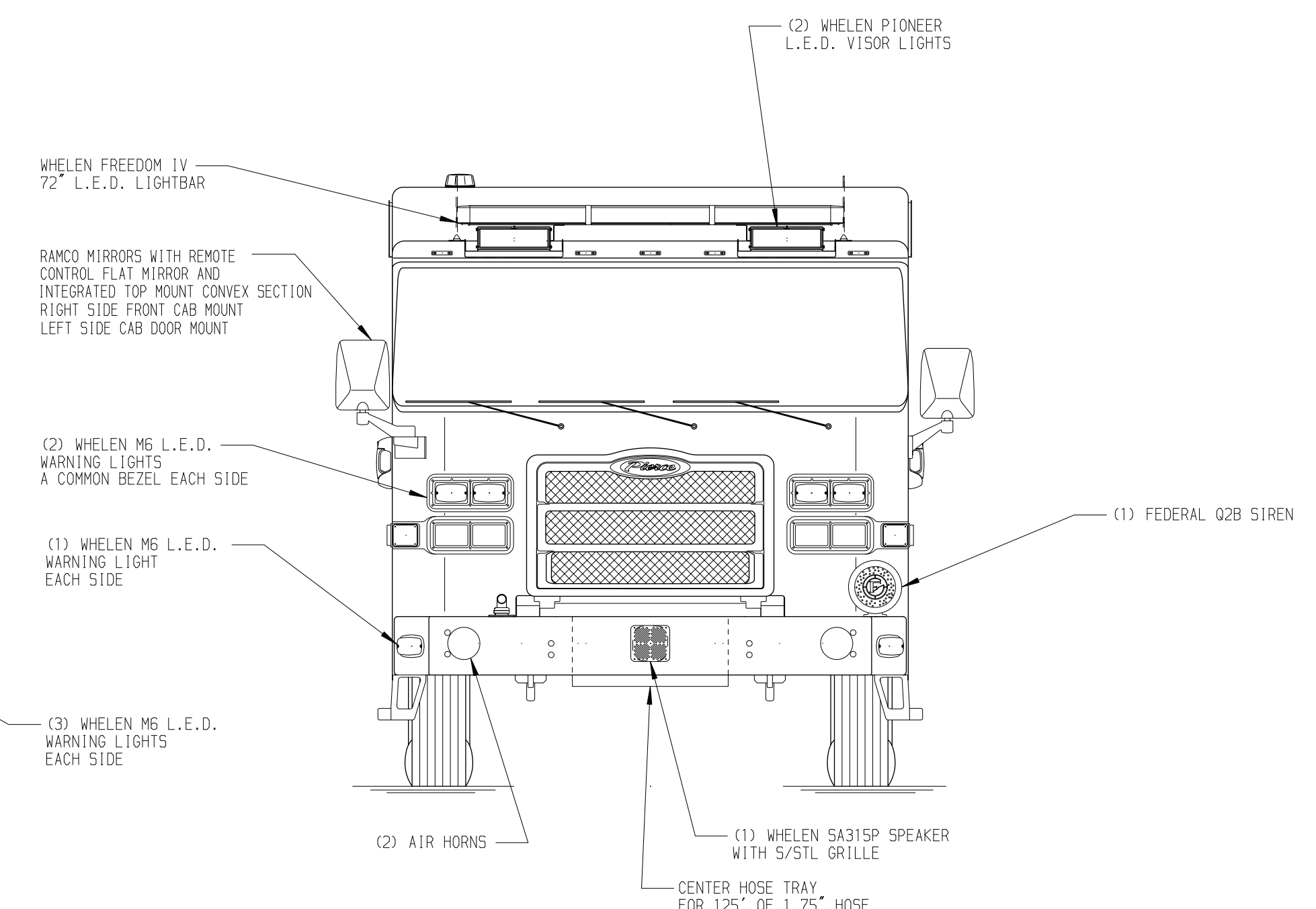
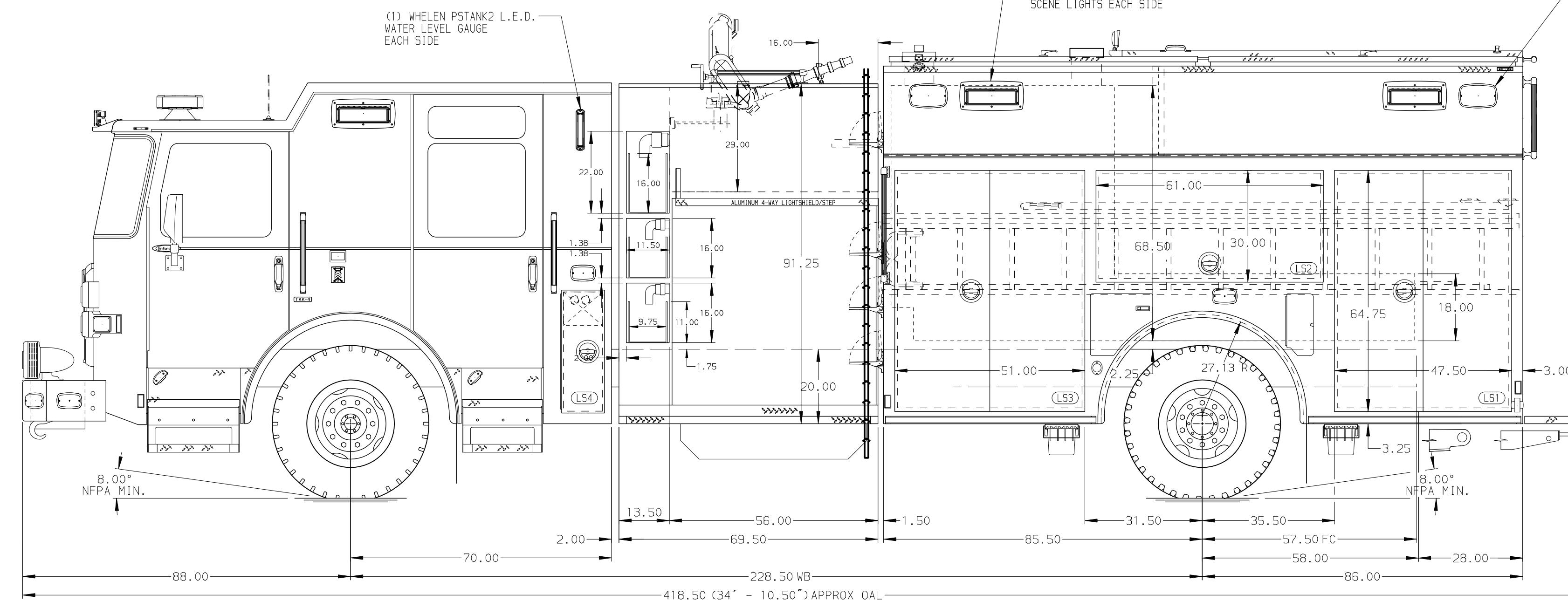
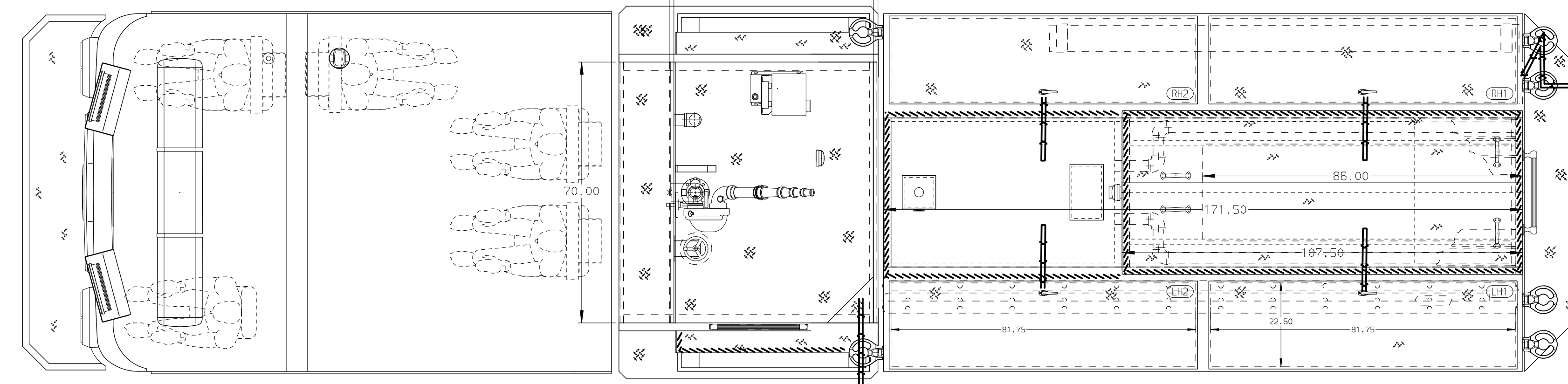
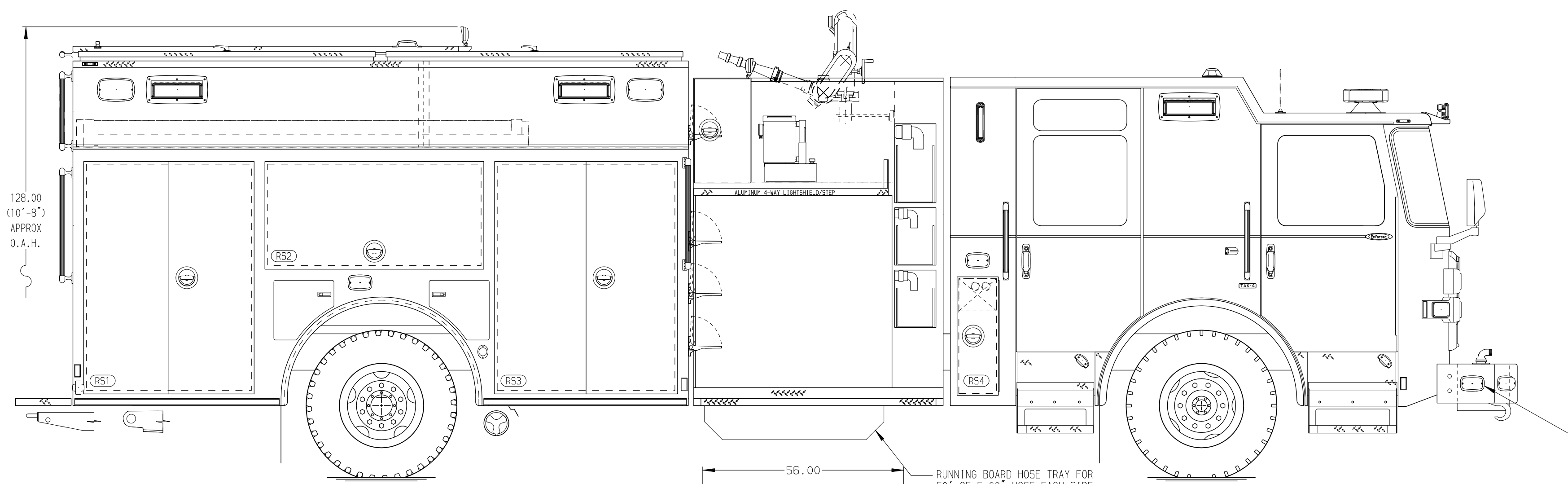
Husky 3 Single Agent Foam System

SAFETY

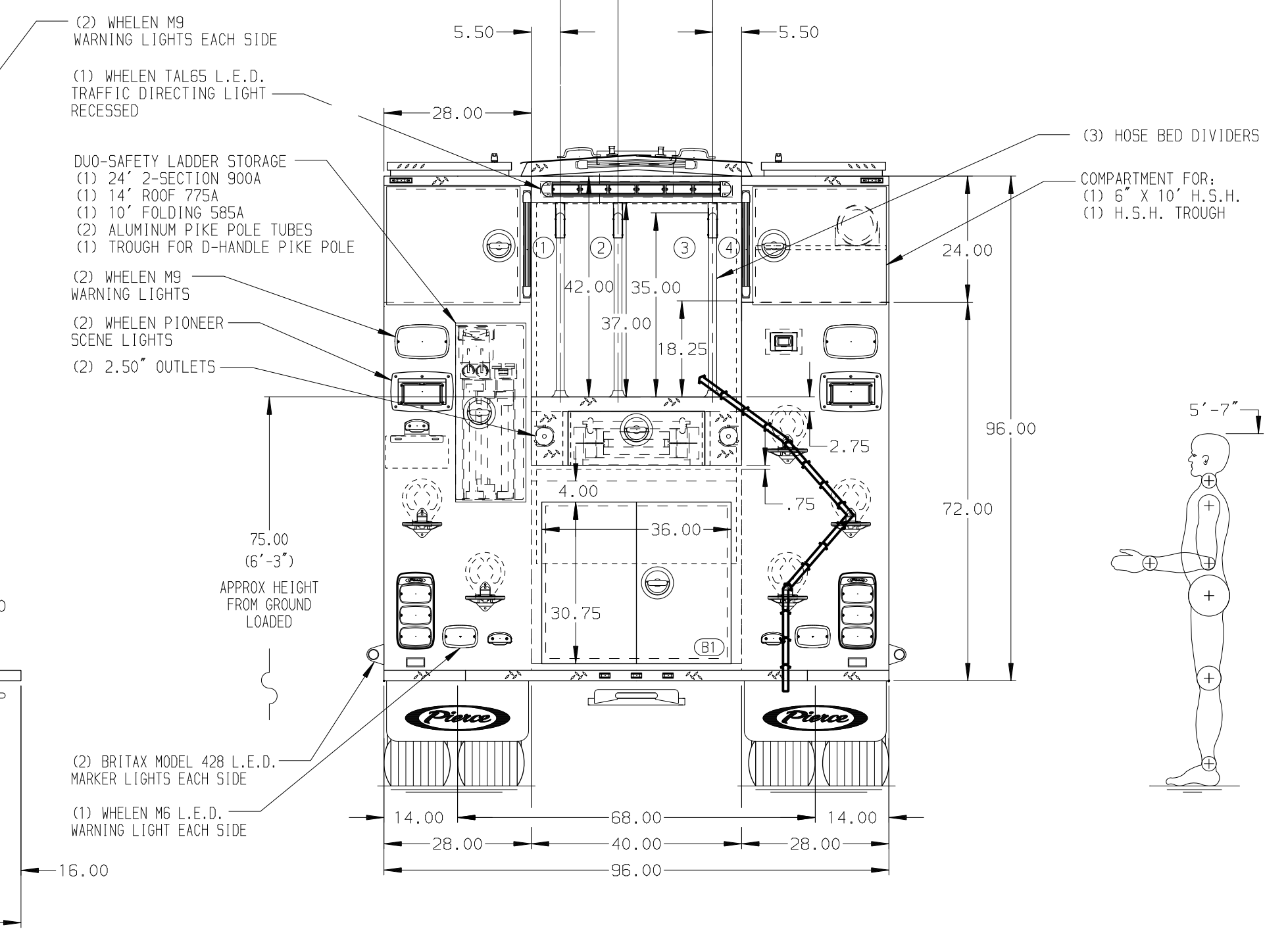
Side Roll and Frontal Impact Protection

NOTE
DIMENSIONS SHOWN ARE APPROXIMATE AND ARE SUBJECT TO MINOR DEVIATIONS AS MAY OCCUR OR BE NECESSARY IN CONSTRUCTION. MINOR DETAILS NOT SHOWN.

- ONE 1.50 OUTLET WITH 2.00 PIPING AND SWIVEL LOCATED IN CENTER BUMPER TRAY
- BLUE SEA SURE EJECT RECEPTACLE LOCATED ON DRIVER SIDE OF THE CAB
- AIR INLET WITH DISCONNECT COUPLING IN THE DRIVER SIDE STEPWELL
- BATTERY CHARGER LOCATED PER ORDER
- ADJUSTABLE SHELVES LOCATED PER ORDER
- ONE FLOOR MOUNTED SLIDE-OUT TRAY LOCATED PER ORDER



HOSEBED CAPACITY	
BED 1	250' OF 2.50" D.J. POLY HOSE
BED 2	600' OF 2.50" D.J. POLY HOSE
BED 3	800' OF 5.00" D.J. POLY HOSE
BED 4	250' OF 2.50" D.J. POLY HOSE



Pierce MANUFACTURING INC.		JOB NO.	39657
		SCALE	DATE
		DRAWN BY	250CT23
		CHECKED BY	250CT23
		SHEET SIZE	SHEET NO.
		D	1 OF 1

REV	DATE	BY	CH	ENFORCER
1	13AUG24	MMF	DTJ	CHASSIS DATA
2	24MAY24	MMF	DTJ	MAKE
3	11MAR24	MMF	DTJ	PIERCE
4	18JAN24	MMF	DTJ	MODEL

TITLE	Pierce Pumper Approval Drawing
FOR	Ames Fire Department
DWG NO.	39657AD