

PUMPER BODY

Medium Aluminum 2nd Gen Pumper

CHASSIS

Enforcer Chassis

CHASSIS AXLE, FRONT, CUSTOM

19,500 Lb TAK-4 Axle

AXLE, REAR

27,000 Lb Meritor Axle

ENGINE

500 HP Cummins X12 Engine

TRANSMISSION

Allison 6th Gen, 4000 EVS P

BUMPER

19" Extended Painted Steel

CAB

7010 Enforcer Cab

BODY

WATER TANK

480 Gallon New York Style Water Tank

COMPT, PUMPER, REAR

30.75" FF RollUp Rear Compt

COMPT, PUMPER, LEFT SIDE

152" RollUp Full Height Front & Rear FDLR

COMPT, PUMPER, RIGHT SIDE

152" RollUp Full Height Front & Rear FDLR

FIRE SUPPRESSION PUMPHOUSE

48" Control Zone Side Mount

PUMP

1500 GPM Waterous CSU

CROSSLAYS, 1.50"

(2) 1.50" Standard Capacity

CROSSLAYS, 2.50"

2.50" Crosslay Not Required

SPEEDLAYS

SpeedLays Not Required

GENERATOR

Generator Not Required

Foam System

Husky 3 Single Agent Foam System

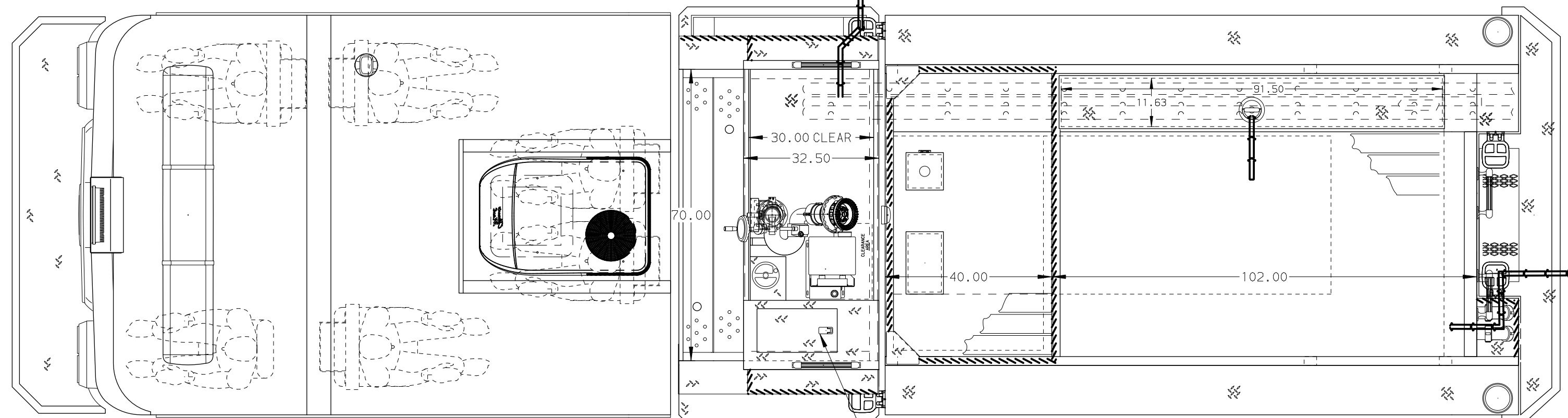
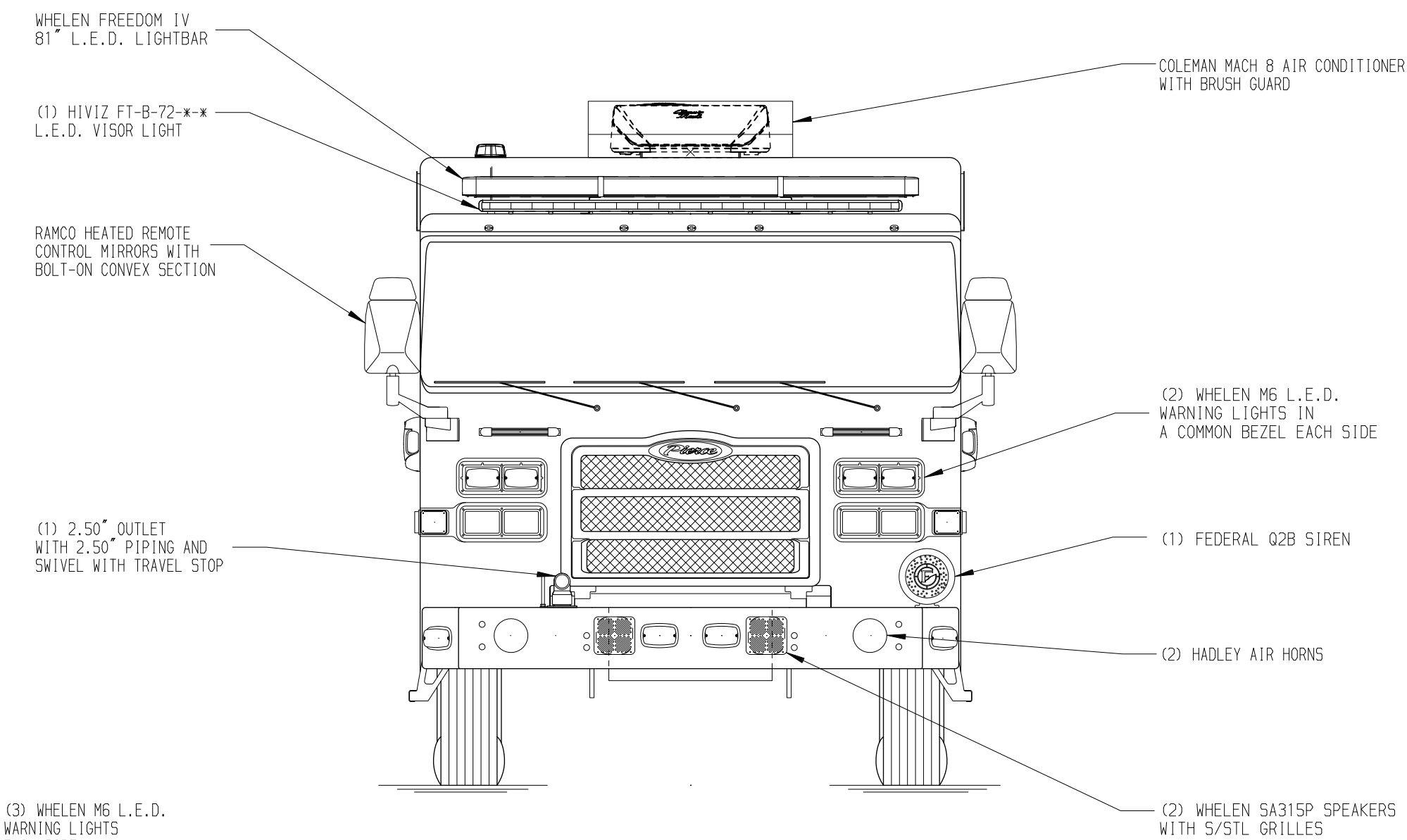
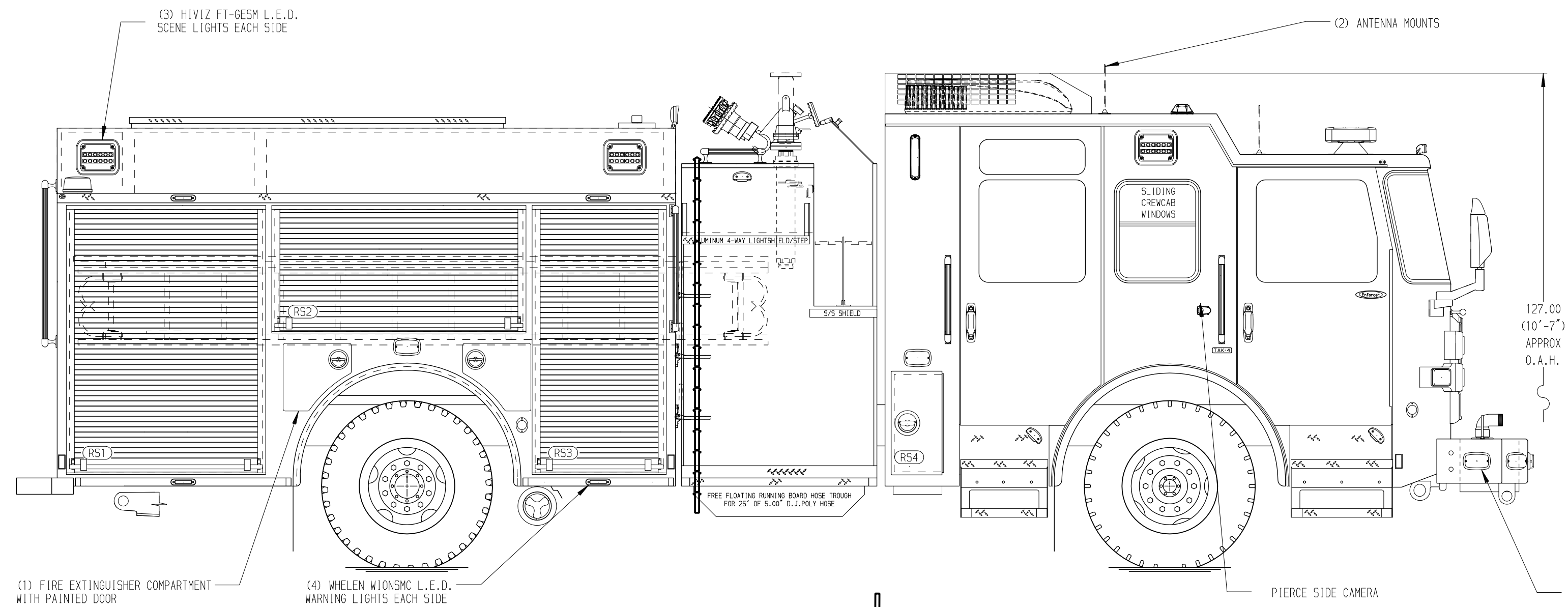
Foam Cell

20 Gallon Foam Cell, Reduced Water

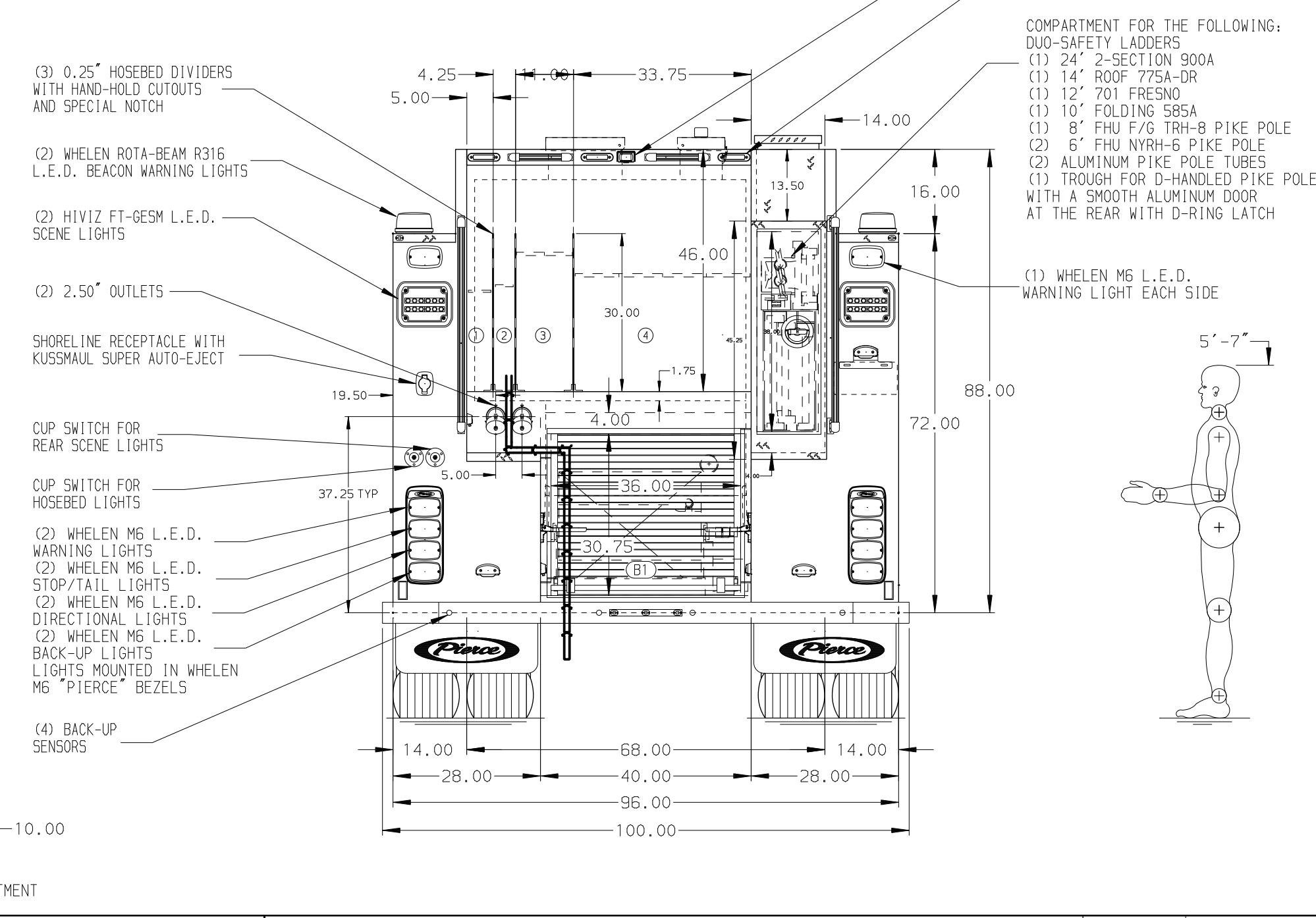
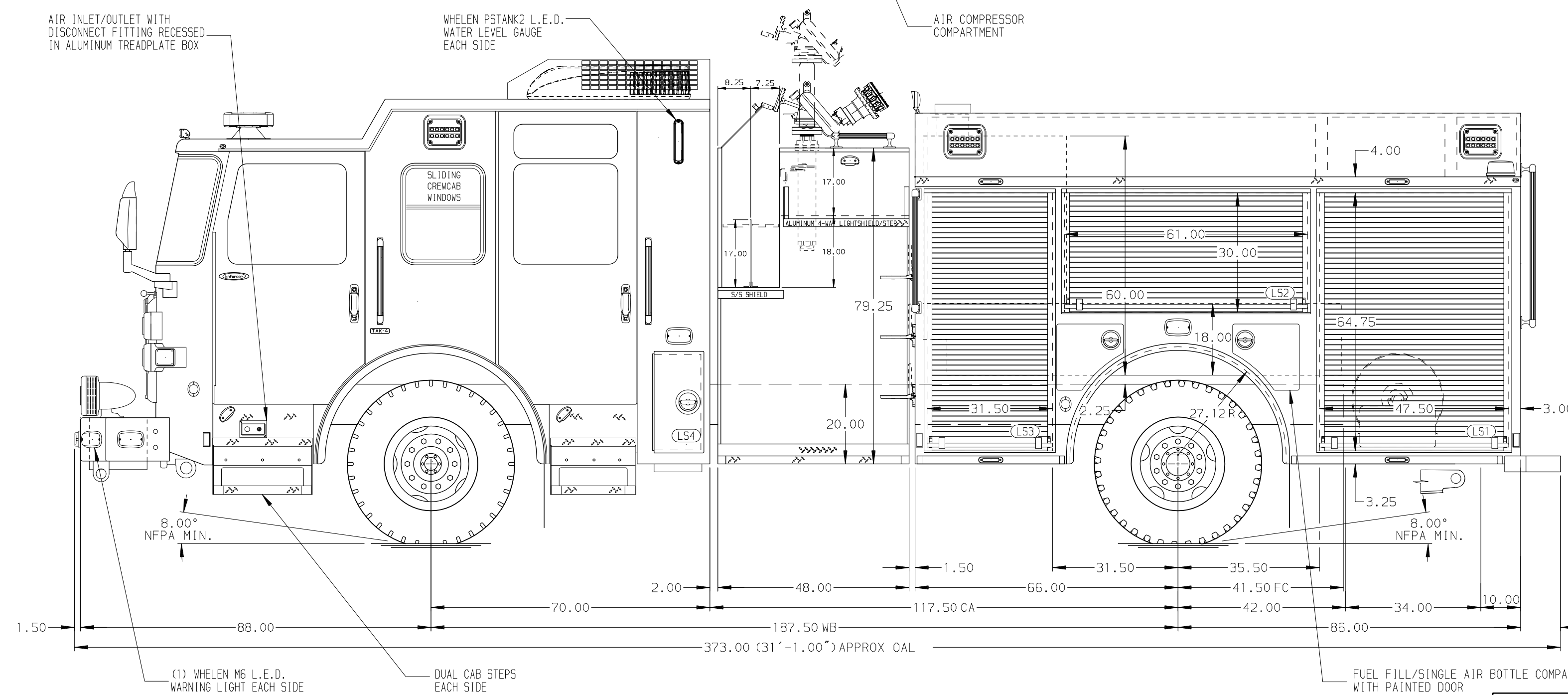
Side Roll and Frontal Impact Protection

NOTE
DIMENSIONS SHOWN ARE APPROXIMATE AND ARE SUBJECT TO MINOR DEVIATIONS AS MAY OCCUR OR BE NECESSARY IN CONSTRUCTION. MINOR DETAILS NOT SHOWN.

1. SHORELINE RECEPTACLE WITH KUSSMAUL SUPER AUTO-EJECT LOCATED ON DRIVER SIDE OF THE CAB
2. AIR INLET WITH DISCONNECT COUPLING IN THE DRIVER SIDE STEPWELL
3. BATTERY CHARGER LOCATED PER ORDER
4. BATTERY CHARGE INDICATOR LOCATED ON THE DRIVER SIDE SEAT RISER
5. ADJUSTABLE SHELVES LOCATED PER ORDER
6. ONE FLOOR MOUNTED SLIDE-OUT TRAY LOCATED PER ORDER



HOSEBED CAPACITY	
BED 1	250' OF 2.50" TRU-ID HOSE
BED 2	250' OF 1.75" TRU-ID HOSE
BED 3	600' OF 3.00" B16-10 KEY HOSE
BED 4	1000' OF 5.00" B16-10 KEY HOSE



CUSTOMER APPROVAL			
APPROVED BY:	_____		
DATE:	_____		
REV	DATE	BY	CH
-	-	-	-

		JOB NO.	39698
		SCALE	01-05
TITLE - MAKE - FOR Dallas Fire Department		DATE	_____
		DRAWN BY	MMF 07DEC22
DWG NO. 39698AD-SH1		CHECKED BY	KBO 09DEC22
		SHEET SIZE	D
		SHEET NO.	1 OF 2