

PUMPER BODY
Medium Aluminum 2nd Gen Pumper

CHASSIS
Enforcer Chassis

CHASSIS AXLE, FRONT, CUSTOM
18,000 Lb Dana Axle

AXLE, REAR
24,000 Lb Dana Axle

ENGINE
380 HP Cummins L9 Engine

TRANSMISSION

BUMPER
19" Extended Painted Steel

CAB
7010 Enforcer Cab

BODY WATER TANK
500 Gallon Poly Water Tank

COMPT, PUMPER, REAR
37.75" FF RollUp Flush Rear Compt

COMPT, PUMPER, LEFT SIDE
152" RollUp Full Height Front & Rear FDLR

COMPT, PUMPER, RIGHT SIDE
152" RollUp Full Height Front & Rear FDLR

FIRE SUPPRESSION PUMPHOUSE
45" Control Zone Side Mount

PUMP
1500 GPM Hale QTW0

CROSSLAYS, 1.50"
1.50" Crossloy Not Required

CROSSLAYS, 2.50"
2.50" Crossloy Not Required

SPEEDLAYS
Speedlays Not Required

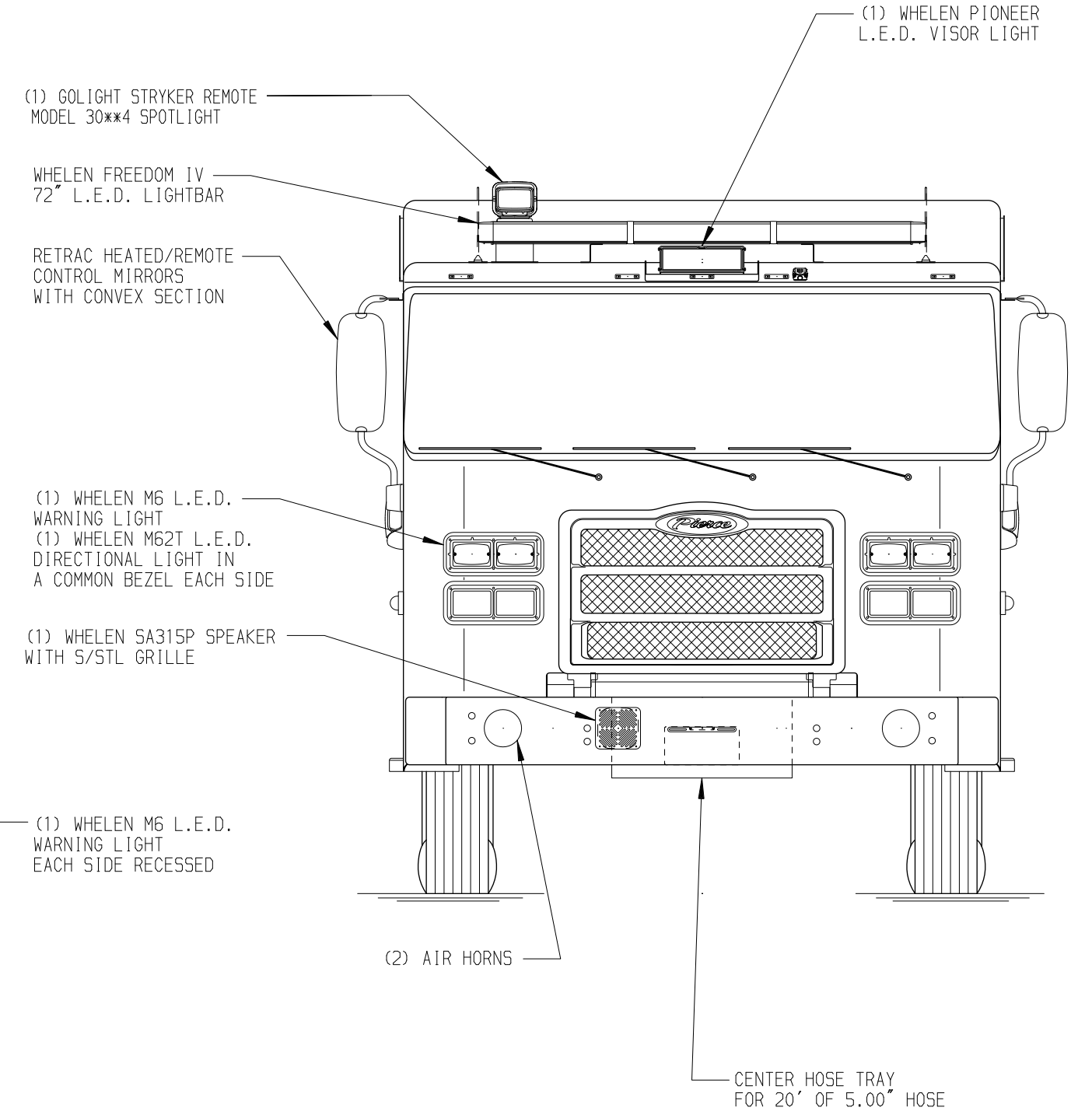
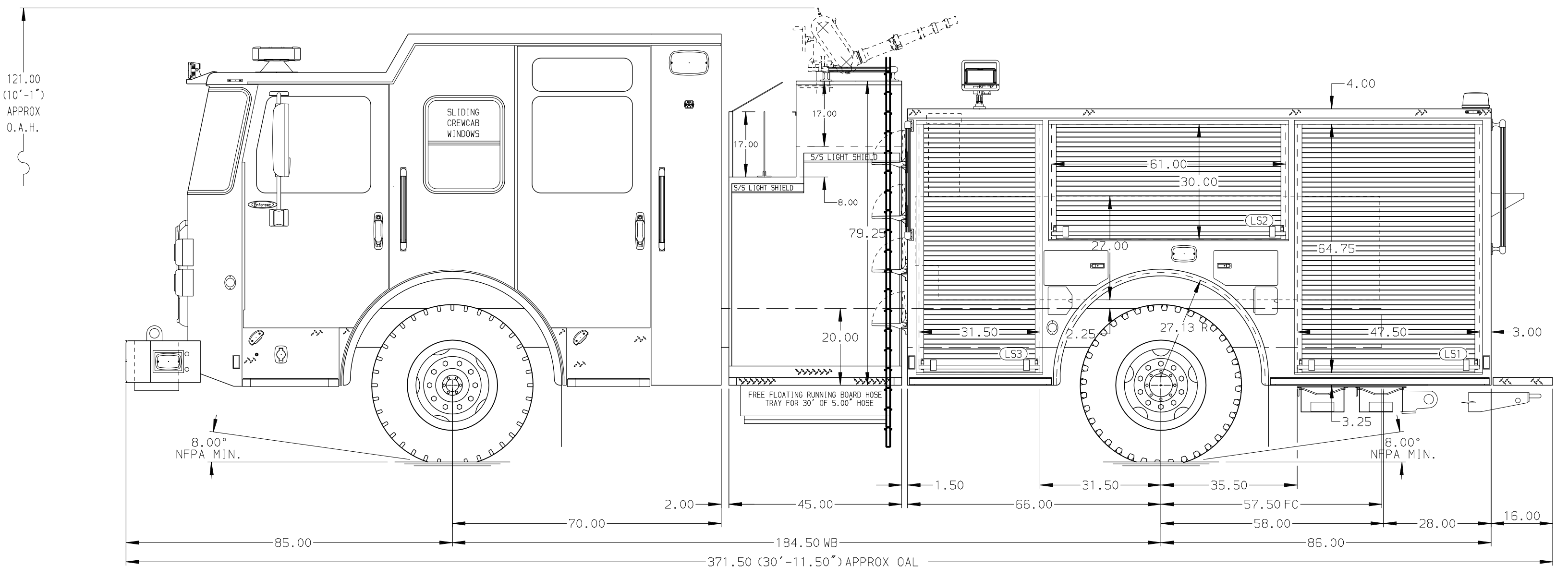
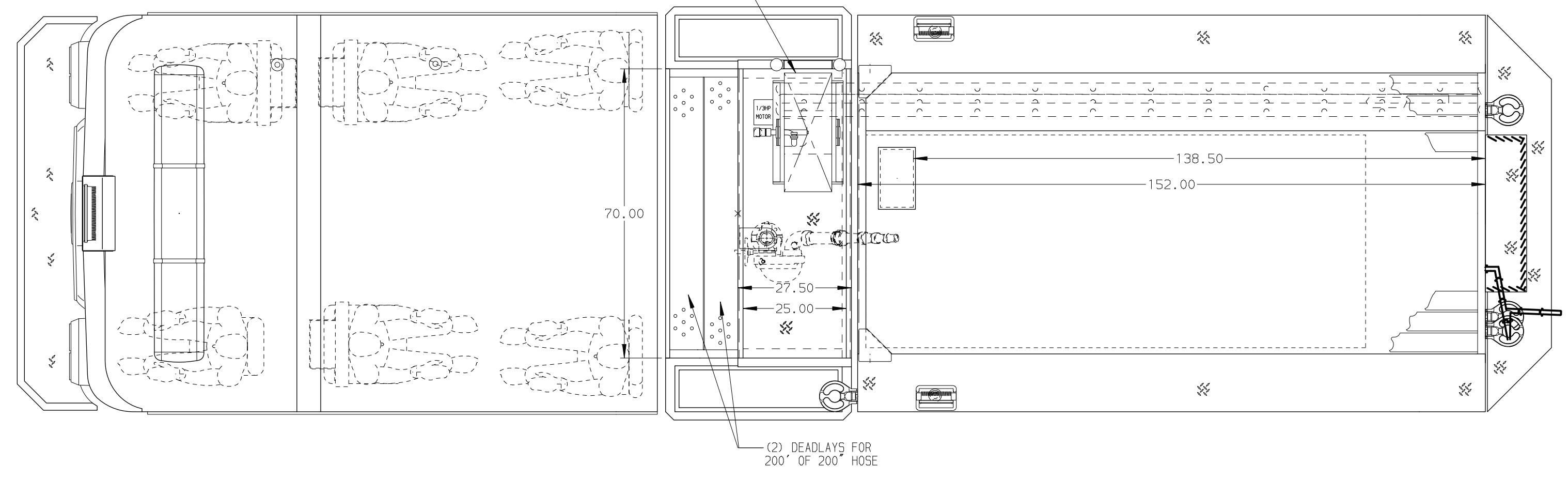
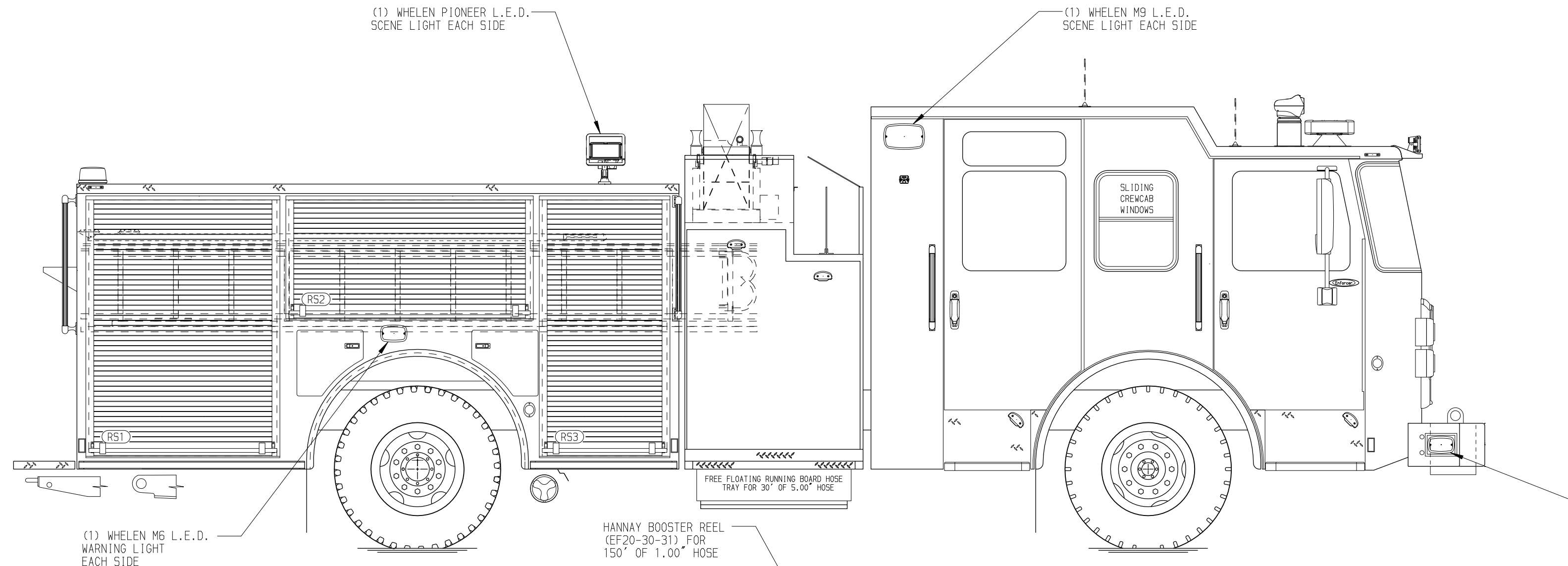
GENERATOR
Generator Not Required

Foam System
Foam System Not Required

Foam Cell
Foam Cell Not Required

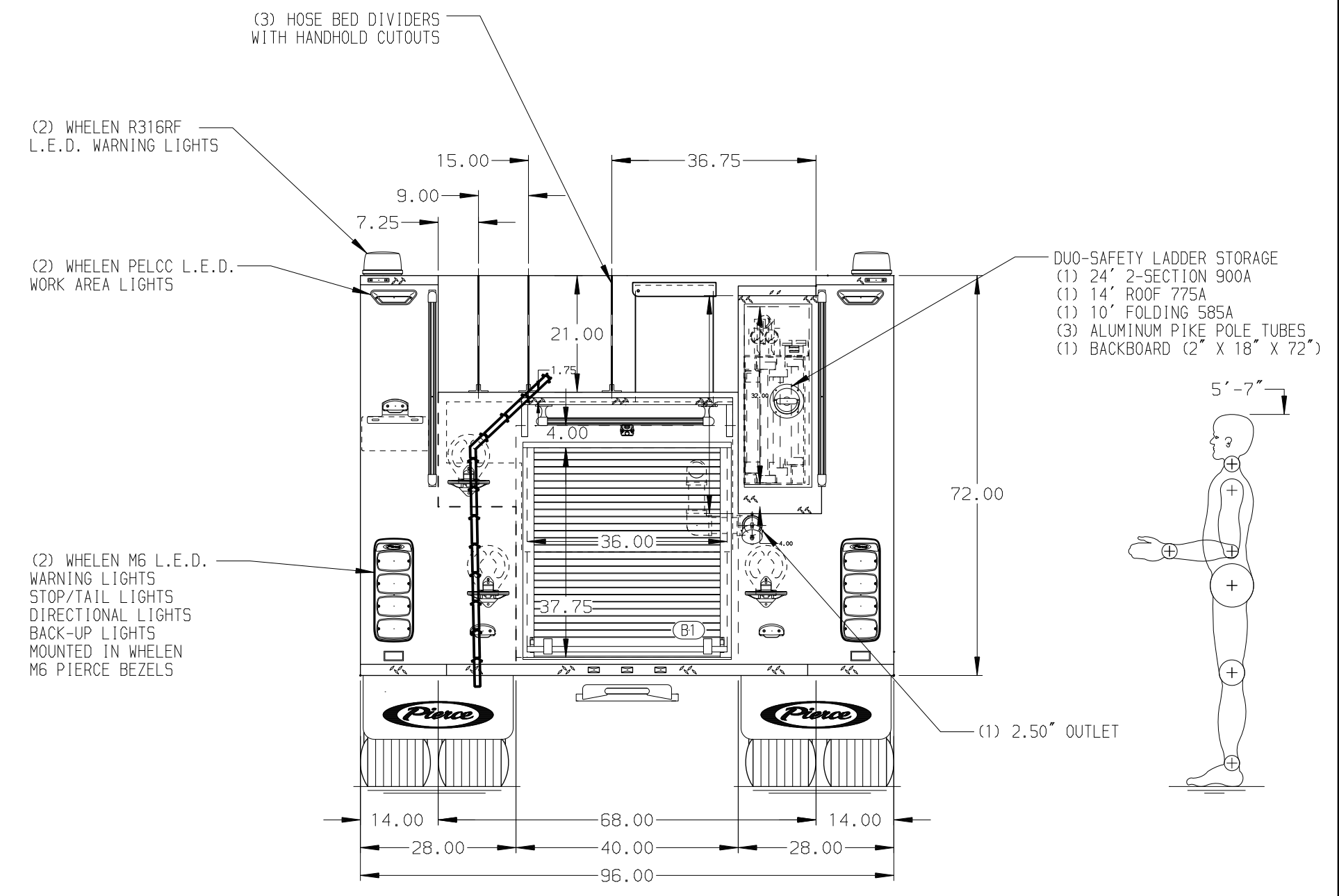
NOTE
DIMENSIONS SHOWN ARE APPROXIMATE AND ARE SUBJECT TO MINOR DEVIATIONS AS MAY OCCUR OR BE NECESSARY IN CONSTRUCTION. MINOR DETAILS NOT SHOWN.

- 1. SHORELINE RECEPTACLE WITH KUSSMALL SUPER AUTO-EJECT LOCATED IN DRIVER SIDE STEP WELL
- 2. AIR INLET WITH DISCONNECT COUPLING IN THE DRIVER SIDE STEPWELL
- 3. BATTERY CHARGER LOCATED PER ORDER
- 4. BATTERY CHARGER INDICATOR LOCATED DRIVER SIDE SEAT RISER



HOSEBED CAPACITY

BED 1	500' OF 1.75" D.J. POLY HOSE
BED 2	500' OF 2.00" D.J. POLY HOSE
BED 3	500' OF 2.50" D.J. POLY HOSE
BED 4	600' OF 4.00" D.J. POLY HOSE



CUSTOMER APPROVAL

APPROVED BY: _____

DATE: _____

REV	DATE	BY	CH	ENFORCER
-	-	-	-	-

Pierce MANUFACTURING INC.

TITLE: Pierce Pumper Approval Drawing

FOR: City of Cleveland Fire Department

DWG NO. 39815AD-SH1

JOB NO.	39815
SCALE	1:24
DATE	
DRAWN BY	MMF
CHECKED BY	COL
SHEET NO.	1 OF 2