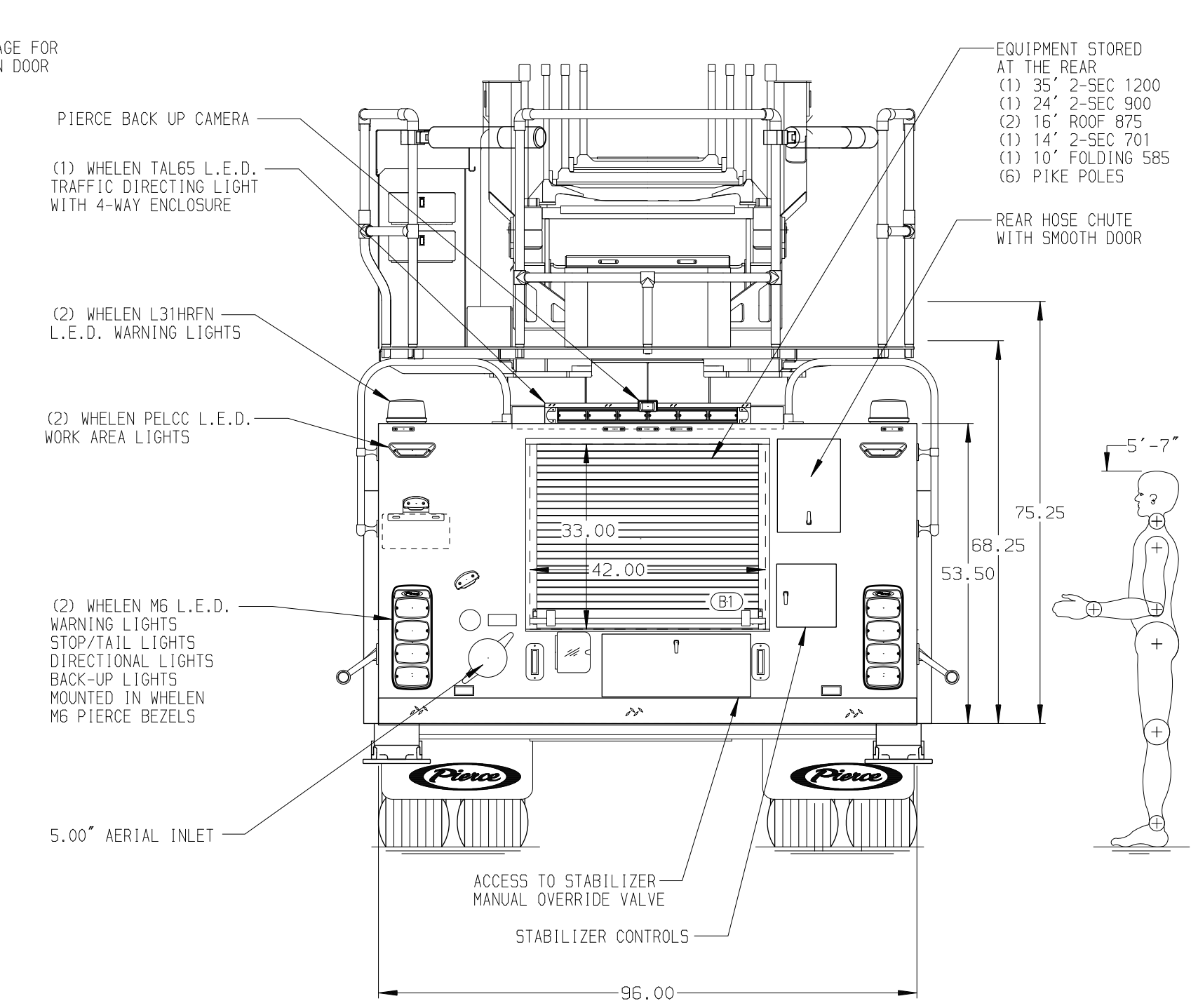
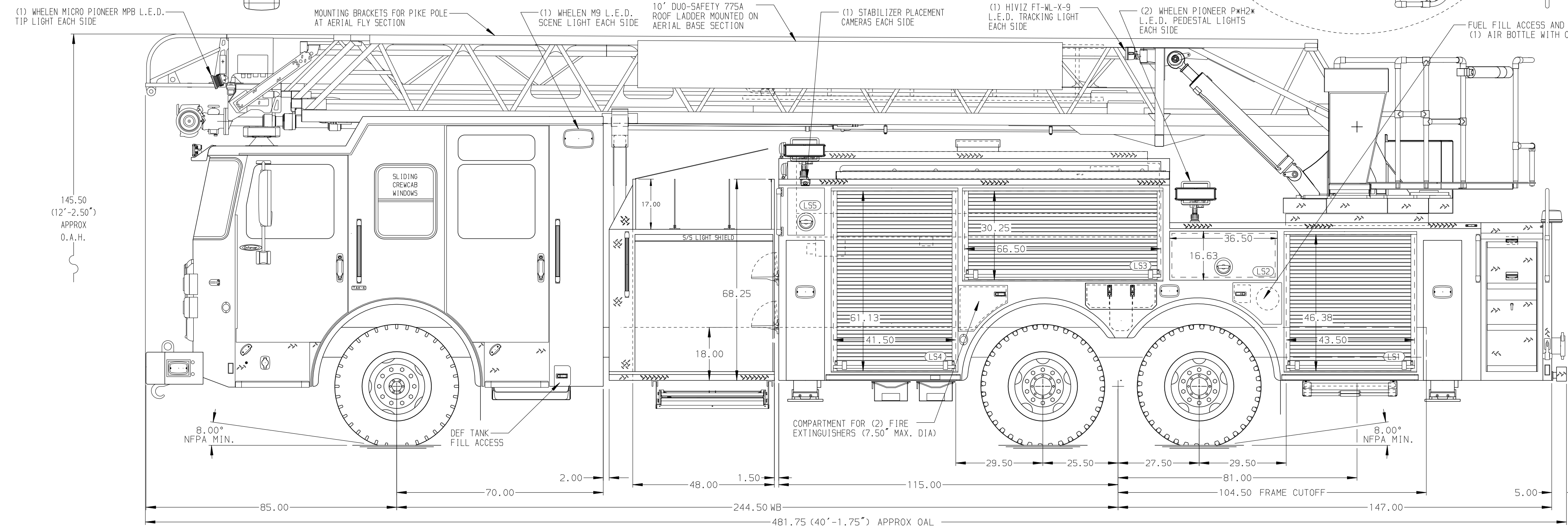


BODY 107' ASL Tandem Axle Aluminum Body COMPT, LEFT SIDE FRONT FH/FD RollUp Forward w/o Chute COMPT, LEFT SIDE REAR FH/FD RollUp and Lift-up Rearward COMPT, RIGHT SIDE FRONT Full Height RollUp Forward COMPT, RIGHT SIDE REAR Full Height RollUp and Lift-up Rearward	WATER TANK 500 Gallon Notched Poly Water Tank Foam System Foam System Not Required Foam Cell Foam Cell Not Required
---	---



CHASSIS Enforcer Chassis ENGINE 510 HP Paccor MX13 Engine	CAB 7010 Notched Enforcer Cab BUMPER 16" Extended Painted Steel	AXLE, FRONT, CUSTOM 22,800 Lb TAK-4 Axle AXLE, REAR 44,000 Lb Meritor Axle	TRANSMISSION Allison 6th Gen, 4000 EV5 P	PUMPHOUSE 48" Control Zone Side Mount PUMP 2000 GPM Darley TSM	CROSSLAYS, 1.50" 1.50" Crosslay Not Required CROSSLAYS, 2.50" 2.50" Crosslay Not Required	DEADLAY AREA Per Order Above Pump House GENERATOR Generator Not Required	CUSTOMER APPROVAL APPROVED BY: _____ DATE: _____		JOB NO. 39816 SCALE 1:24 DATE DRAWN BY LWE 01DEC22 CHECKED BY JBL 02DEC22 SHEET SIZE D SHEET NO. 1 OF 2
NOTE DIMENSIONS SHOWN ARE APPROXIMATE AND ARE SUBJECT TO MINOR DEVIATIONS AS MAY OCCUR OR BE NECESSARY IN CONSTRUCTION. MINOR DETAILS NOT SHOWN.		1. NO LIMITED RETRACTION REQUIRED 2. ONE 1.50" OUTLET WITH 2.00" PIPING AND SWIVEL LOCATED IN CENTER BUMPER TRAY 3. SHORELINE RECEPTACLE WITH KUSSMALL SUPER AUTO-EJECT LOCATED ON DRIVER SIDE STEP WELL 4. AIR INLET WITH DISCONNECT COUPLING IN THE DRIVER SIDE STEPPWELL 5. BATTERY CHARGER LOCATED PER ORDER 6. BATTERY CHARGE INDICATOR LOCATED ON THE DRIVER SIDE SEAT RISER 7. ONE 120V RECEPTACLE PER ORDER 8. RING LIGHTING ON AERIAL LADDER 9. 3.00" RAISED AERIAL PEDESTAL 10. LIFTING EYE ROPE RESCUE ATTACHMENT AT AERIAL TIP		11. 1500 GPM HIGH FLOW WATERWAY		CHASSIS DATA MAKE PIERCE MODEL ENFORCER		TITLE 107' ASCENDANT AERIAL LADDER AND BODY ASSEMBLY FOR CLEVELAND FIRE DEPARTMENT CLEVELAND, OH DWG NO. 39816AD-SH1	