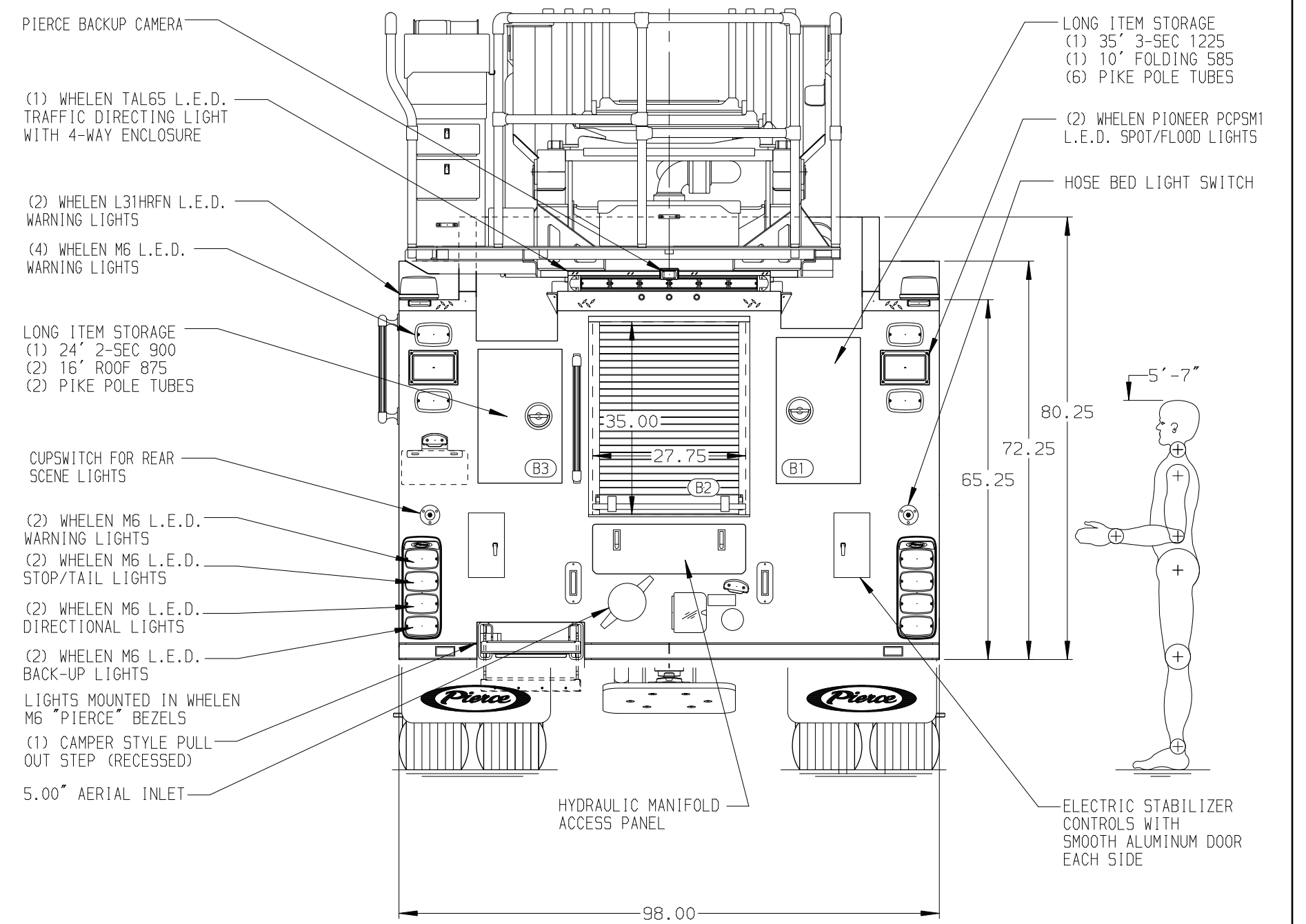
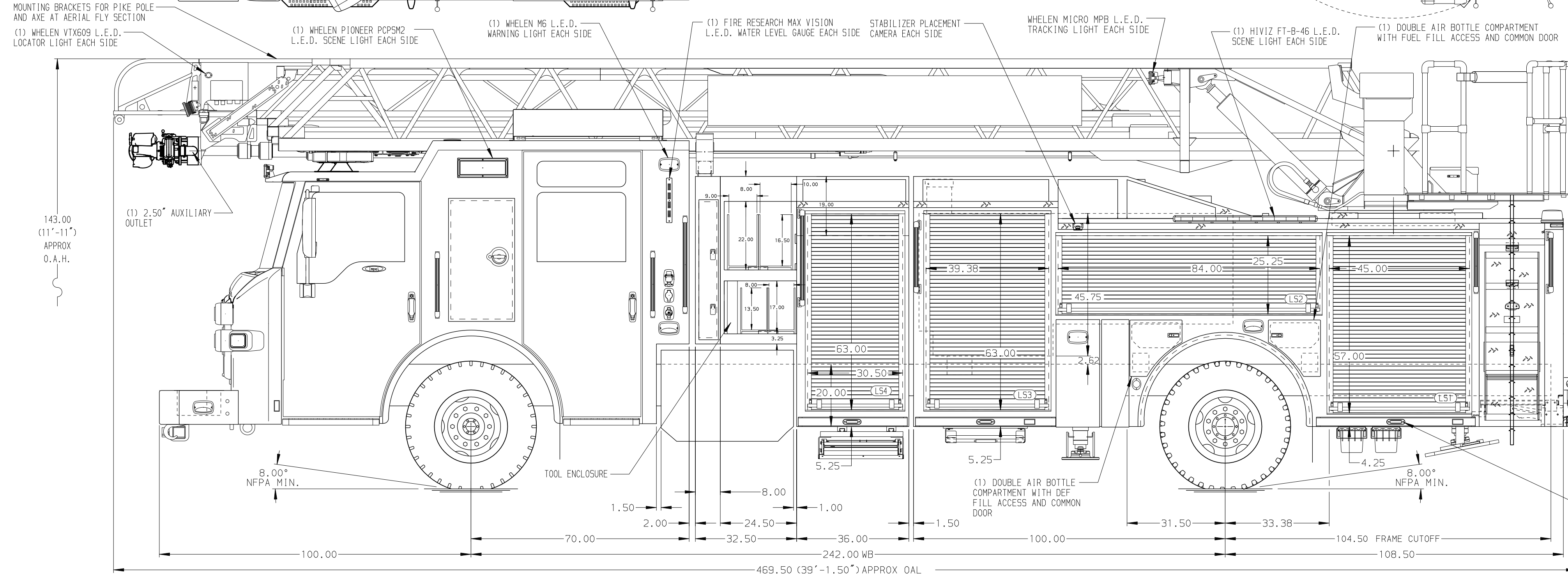


BODY	WATER TANK
107' ASL Aluminum Body PUC	500 Galon Poly Water Tank
COMPT, LEFT SIDE FRONT	Foam System
Full Height RollUp Forward	Akron Educator Single Agent Foam System
COMPT, LEFT SIDE REAR	Foam Cell
Full Height RollUp Rearward	20 Galon Foam Cell, Non-Reduced Water, PUC
COMPT, RIGHT SIDE FRONT	
Full Height RollUp Forward	
COMPT, RIGHT SIDE REAR	
Full Height RollUp Rearward	



CHASSIS	CAB	AXLE, FRONT, CUSTOM	TRANSMISSION	PUMPHOUSE	CROSSLAYS, 1.50"	DEADLAYS	SAFETY
Impel Chassis, PUC	7010 Notched Impel FR Cab, PUC	23,000 Lb Dana Axle	Allison 6th Gen, 3000 EV5 P	Control Zone, PAL/PAP PUC	(2) 1.50", Poly Trays, 200'	(1) 2.50", Poly Tray, 200'	Frontal Impact Protection
ENGINE	BUMPER	AXLE, REAR		PUMP	CROSSLAYS, 2.50"	GENERATOR	
450 HP Cummins L9 Engine	22" Underslung Painted Steel	33,500 Lb Meritor Axle		1500 GPM Pierce PUC	(1) 2.50", Poly Tray, 200'	Generator Not Required	

**NOTE**  
DIMENSIONS SHOWN ARE APPROXIMATE AND ARE SUBJECT TO MINOR DEVIATIONS AS MAY OCCUR OR BE NECESSARY IN CONSTRUCTION. MINOR DETAILS NOT SHOWN.

- NO LIMITED RETRACTION REQUIRED
- DC POWER TO AERIAL TIP
- SHORELINE RECEPTACLE WITH KUSSMAUL SUPER AUTO-EJECT LOCATED ON DRIVER SIDE OF CREW CAB HIGH
- AIR INLET WITH DISCONNECT COUPLING AND COVER ON THE DRIVER SIDE CREW CAB LOW
- BATTERY CHARGER LOCATED PER ORDER
- BATTERY CHARGE INDICATOR LOCATED ON SHORELINE COVER
- THIRTEEN ADJUSTABLE SHIELDS LOCATED IN COMPARTMENTS PER ORDER
- TWO FLOOR MOUNTED SLIDE-OUT TRAYS LOCATED IN COMPARTMENTS PER ORDER
- ONE VERTICAL PARTITION LOCATED IN COMPARTMENT PER ORDER
- DUAL LIGHT STRIPS LOCATED IN COMPARTMENT PER ORDER
- THREE EXTINGUISHER RACKS LOCATED IN COMPARTMENTS PER ORDER
- FIVE RECEPTACLES LOCATED IN COMPARTMENTS PER ORDER
- RUNG LIGHTING ON AERIAL LADDER
- LIFTING EYE ROPE RESCUE ATTACHMENT AT AERIAL TIP
- NON-RAISED AERIAL PEDESTAL
- 1500 GPM HIGH FLOW WATERWAY
- AIR OUTLET WITH SHUT OFF VALVE LOCATED PER ORDER
- WARN MODEL ZEON 10-S MULTI-MOUNT 10,000 LB PORTABLE WINCH SHIPPED LOOSE
- SHORELINE RECEPTACLE WITH KUSSMAUL AUTO-EJECT LOCATED ON DRIVER SIDE OF CREW CAB MIDDLE

		JOB NO.	39922
		SCALE	DATE
TITLE	107' ASCENDANT AERIAL LADDER AND BODY ASSEMBLY	DRAWN BY	LWE
FOR	CITY OF NAPLES NAPLES, FLORIDA	CHECKED BY	NDA
DWG NO.	39922AD	SHEET SIZE	SHEET NO.
		D	1 OF 1

REV	DATE	BY	CH	IMPEL
14SEP23	LWE	ZWE	MAKE	
09JUN23	LWE	ZWE	PIERCE	
20APR23	ANZ	ZWE	MODEL	