

PUMPER BODY
Medium Aluminum 2nd Gen Pumper

CHASSIS
Sober FR Chassis

CHASSIS AXLE, FRONT, CUSTOM
18,000 Lb Hendrickson Steetek

AXLE, REAR
27,000 Lb Dana Axle

ENGINE
450 HP Cummins L9 Engine

TRANSMISSION
Allison 6th Gen, 3000 EVS P

BUMPER
19" Extended Stainless Steel

CAB
6000 Sober FR Cab

BODY WATER TANK
1000 Gallon Poly Water Tank

COMPT, PUMPER, REAR
51.25" FF RollUp Rear Compt

COMPT, PUMPER, LEFT SIDE
152" RollUp Full Height Front & Rear FDLR

COMPT, PUMPER, RIGHT SIDE
152" RollUp Full Height Front & Rear FDLR

FIRE SUPPRESSION PUMPHOUSE
42" Control Zone Top Mount

PUMP
1250 GPM Waterous CS

CROSSLAYS, 1.50"
1.50" Crosslays Not Required

CROSSLAYS, 2.50"
2.50" Crosslay Not Required

SPEEDLAYS
(2) 1.50" Std. Capacity

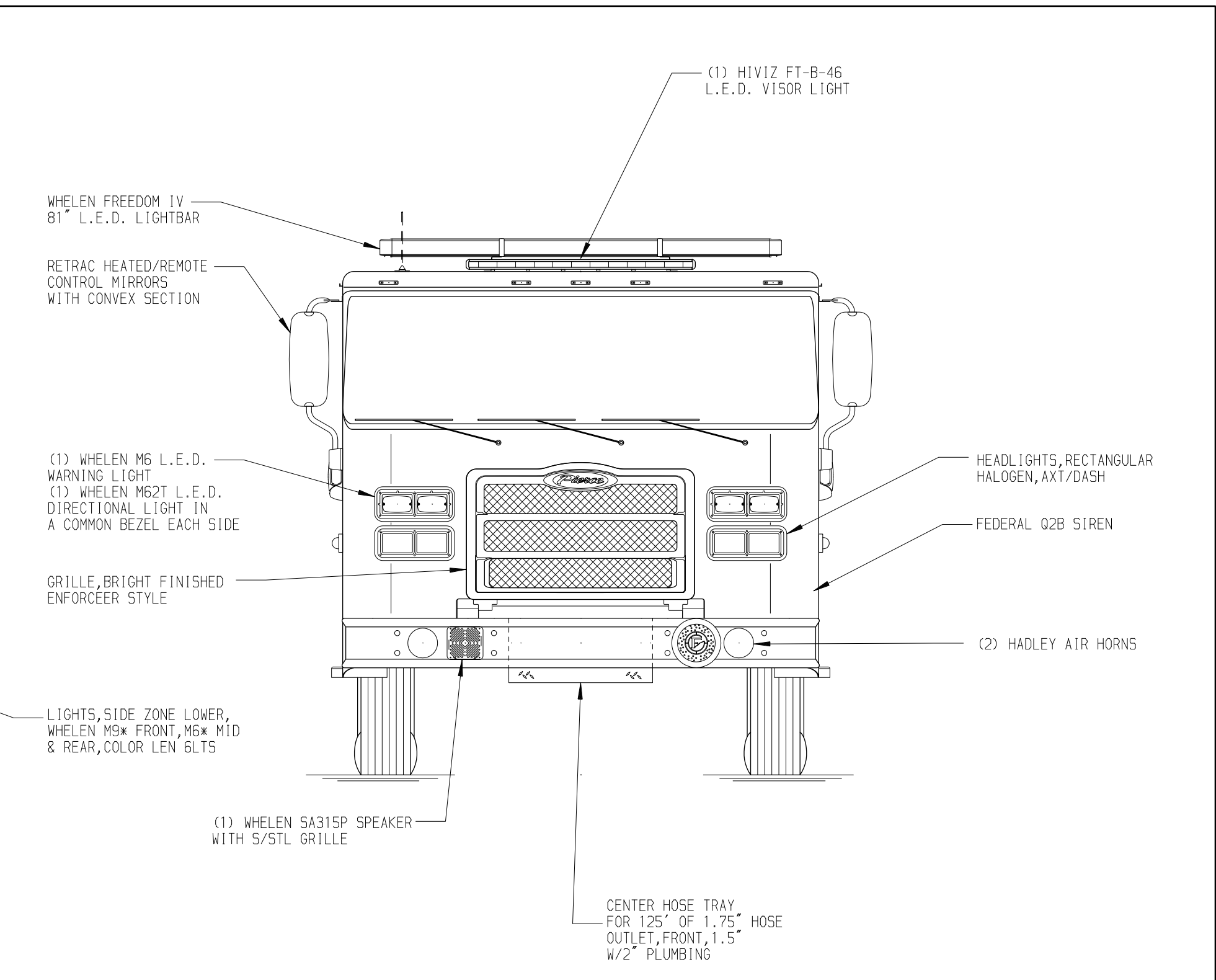
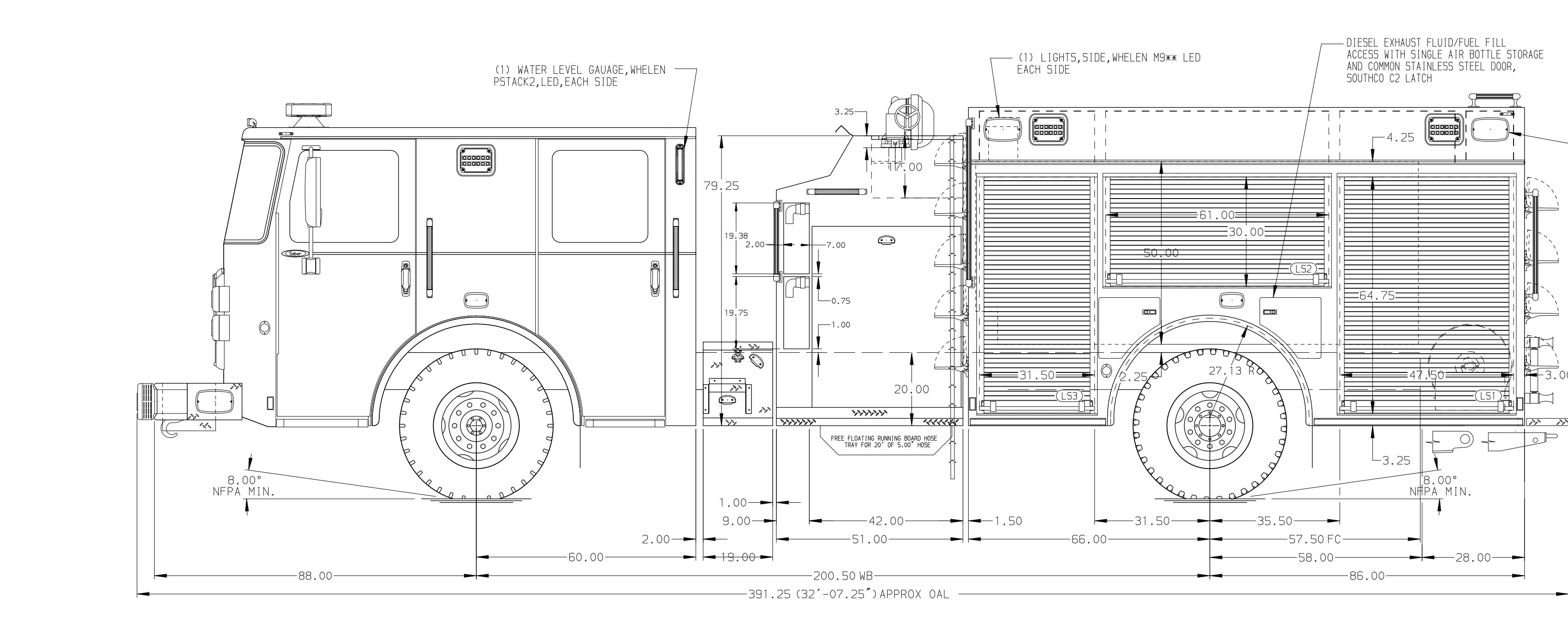
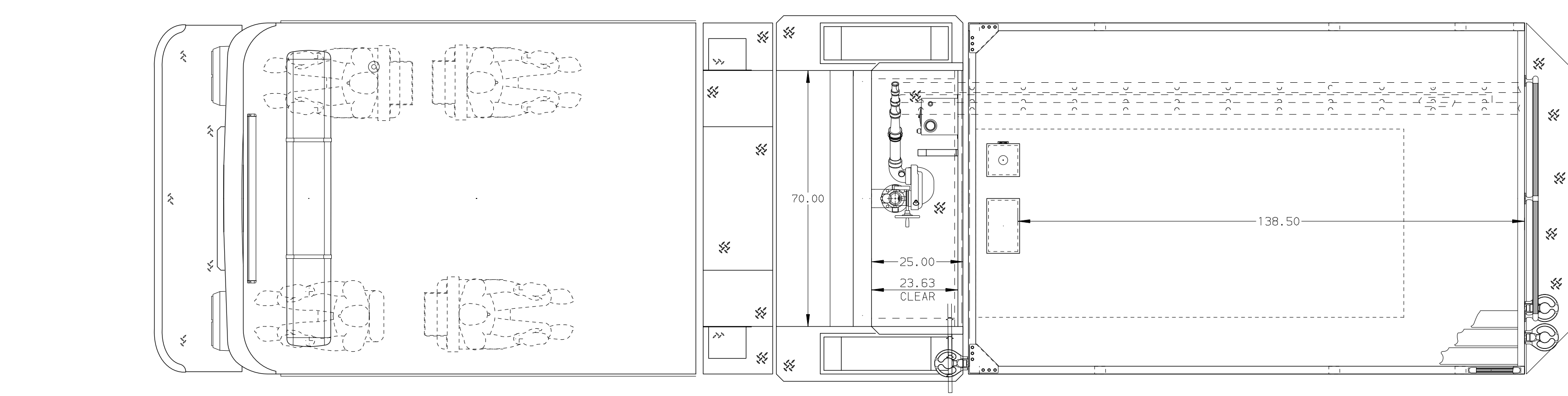
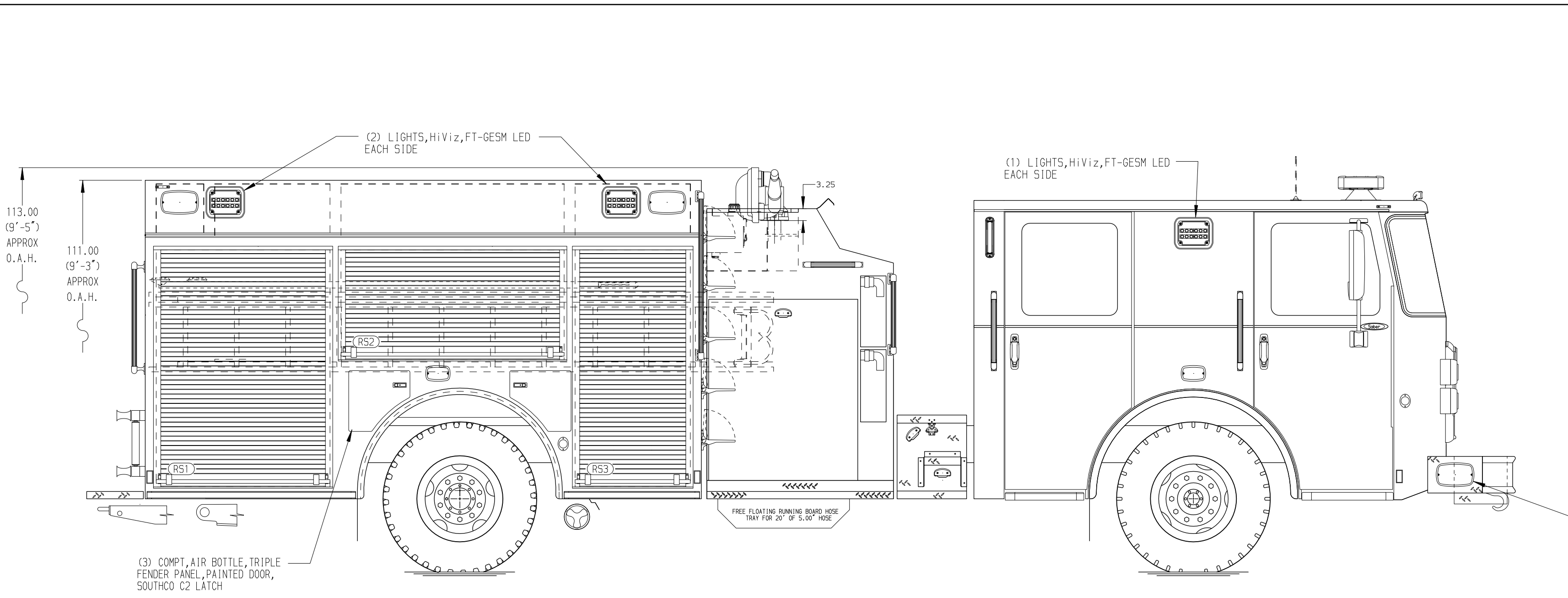
GENERATOR
Generator Not Required

Foam System
Husky 12 Single Agent Foam System

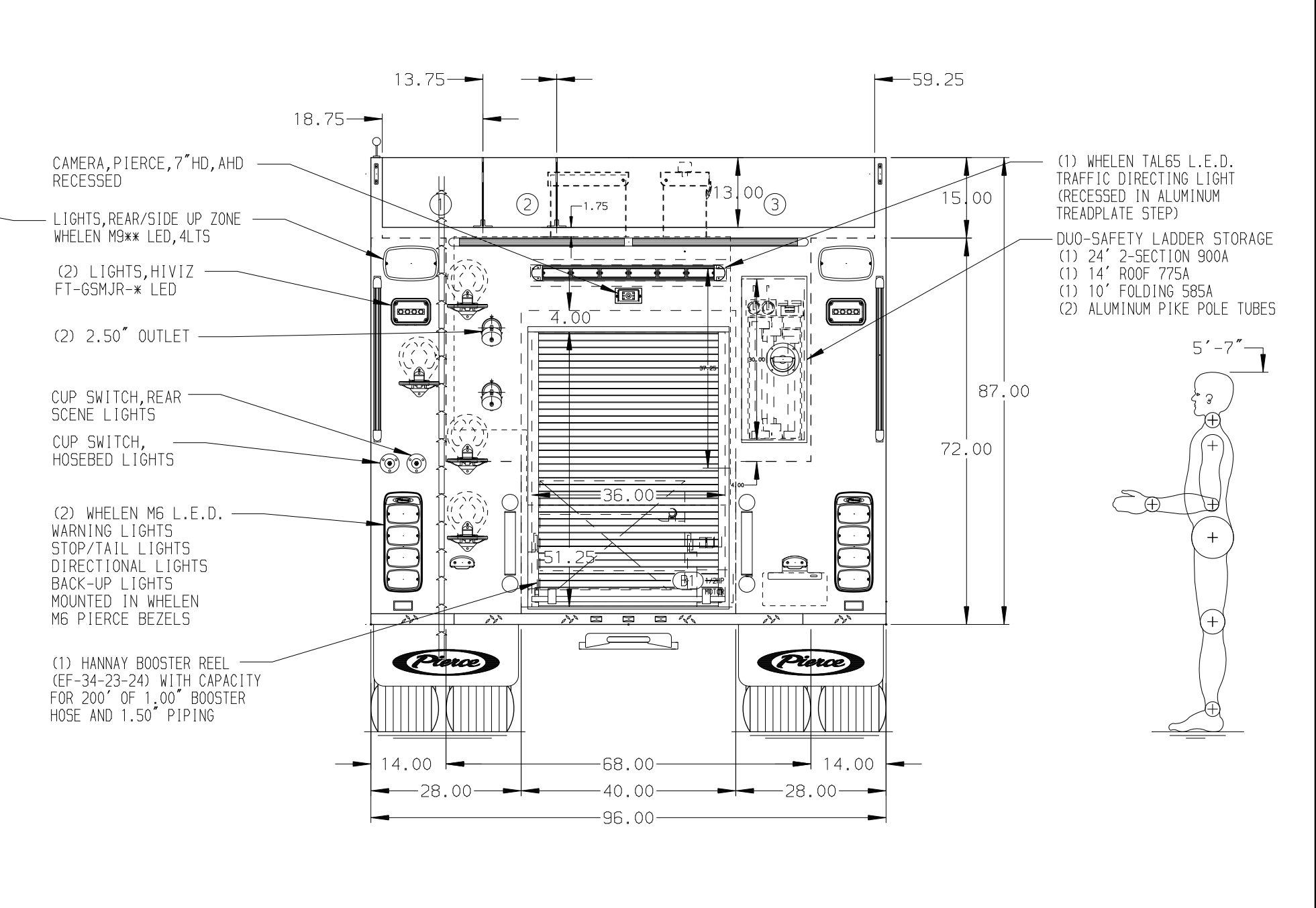
Foam Cell
30 Gallon Foam Cell, Not Reduced Water

NOTE
DIMENSIONS SHOWN ARE APPROXIMATE AND ARE SUBJECT TO MINOR DEVIATIONS AS MAY OCCUR OR BE NECESSARY IN CONSTRUCTION. MINOR DETAILS NOT SHOWN.

08AUG23	JLA	JAP	PIERCE
11MAY23	JLA	JAP	MODEL
REV	DATE	BY	CH



HOSEBED CAPACITY	
BED 1	500' OF 2.50" D.J. POLY HOSE
BED 2	250' OF 2.50" D.J. POLY HOSE
BED 2	1000' OF 4.00" D.J. POLY HOSE



MAXIMUM O.A.H. 114.00"

Pierce MANUFACTURING INC.		JOB NO.	39951
TITLE		SCALE	DATE
Pierce Pumper Approval Drawing		1:24	
MAKE		DRAWN BY	MMF
FOR		CHECKED BY	COL
Amory		SHEET SIZE	SHEET NO.
MODEL		D	1 OF 1
DWG NO.		39951AD	