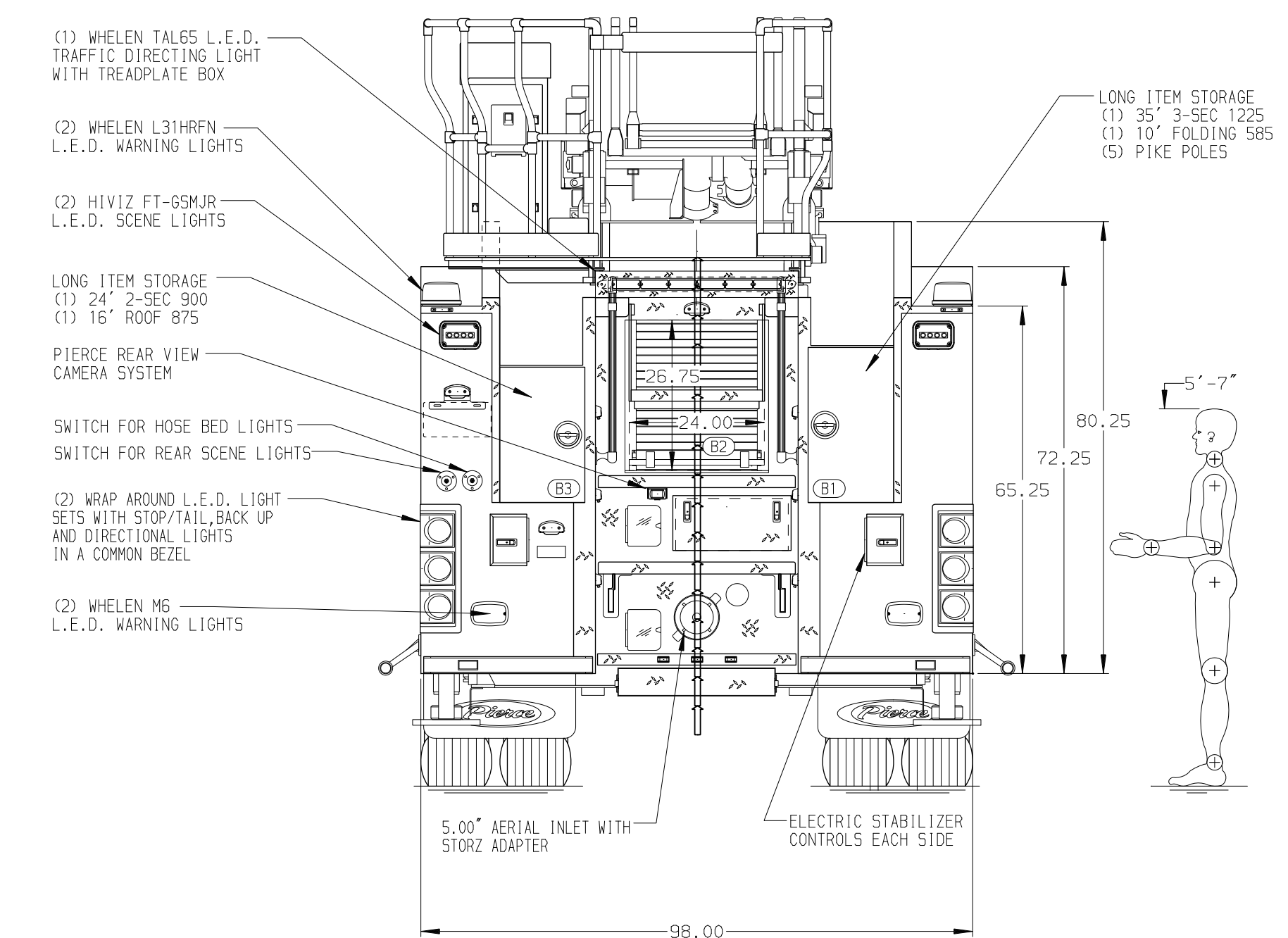
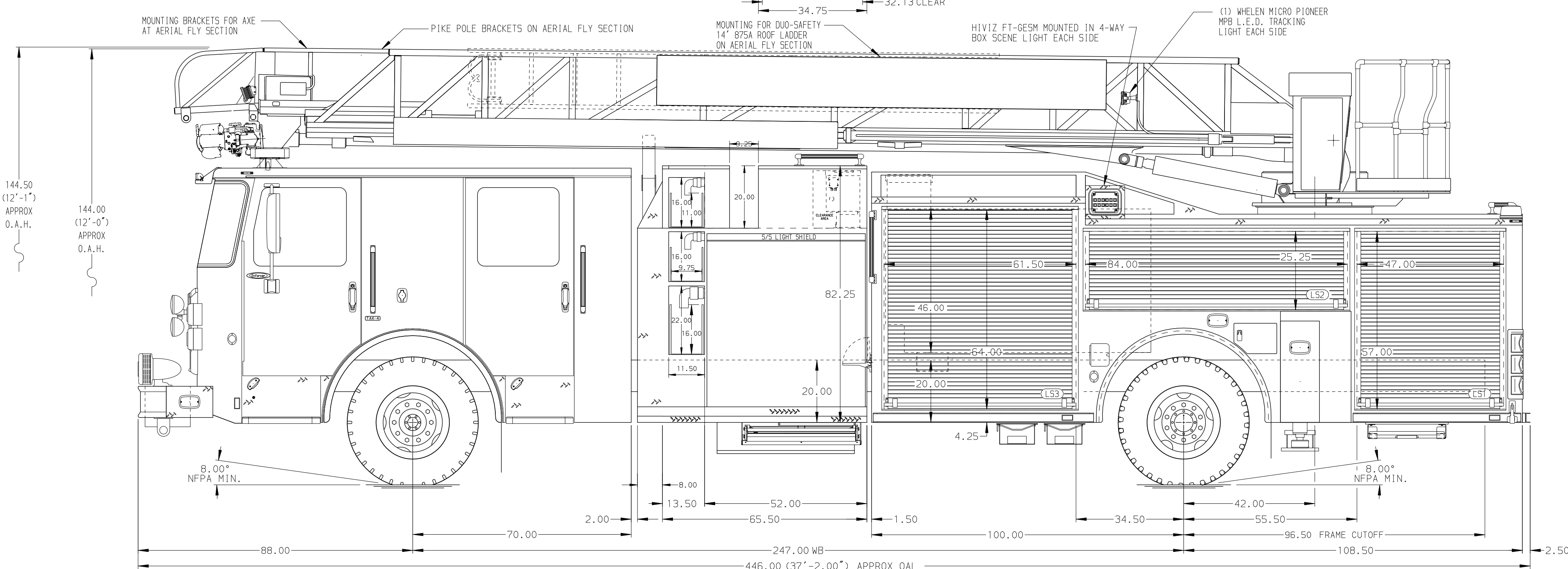


| BODY | WATER TANK |
|-----------------------------|-----------------------------------|
| 75' HAL Aluminum Body | 480 Galon Poly Water Tank |
| COMPT, LEFT SIDE FRONT | Foam System |
| Full Height RollUp Forward | Husky 3 Single Agent Foam System |
| COMPT, LEFT SIDE REAR | Foam Cell |
| Full Height RollUp Rearward | 20 Galon Foam Cell, Reduced Water |
| COMPT, RIGHT SIDE FRONT | |
| Full Height RollUp Forward | |
| COMPT, RIGHT SIDE REAR | |
| Full Height RollUp Rearward | |



| | | | | | | | |
|---|--|--|--|---|---|--|--|
| CHASSIS Enforcer Chassis ENGINE 450 HP Cummins L9 Engine | CAB 7000 Enforcer Cab BUMPER 19" Extended Stainless Steel | AXLE, FRONT, CUSTOM 20,000 Lb Dana Axle AXLE, REAR 33,500 Lb Meritor Axle | TRANSMISSION Allison 6th Gen, 3000 EV5 P | PUMPHOUSE 52" Control Zone Side Mount PUMP 1750 GPM Waterous CSU | CROSSLAYS, 1.50" 1.50" Crosslays Not Required CROSSLAYS, 2.50" (1) 2.50" Standard Capacity | SPEEDLAYS, 1.50" (2) 1.50" W/Tray Std. Capacity SPEEDLAYS, 2.50" (1) 2.50" W/Tray Std. Capacity | SAFETY Side Roll and Frontal Impact Protection |
|---|--|--|--|---|---|--|--|

NOTE
DIMENSIONS SHOWN ARE APPROXIMATE AND ARE SUBJECT TO MINOR DEVIATIONS AS MAY OCCUR OR BE NECESSARY IN CONSTRUCTION. MINOR DETAILS NOT SHOWN.

- NO LIMITED RETRACTION REQUIRED
- ONE 1.50" OUTLET WITH 2.00" PIPING AND SWIVEL LOCATED IN CENTER BUMPER TRAY
- SHOULDER RECEPTACLE WITH KUSSMALL SUPER AUTO-EJECT LOCATED ON DRIVER SIDE OF THE CAB
- AIR INLET WITH DISCONNECT COUPLING IN THE DRIVER SIDE STEPPWELL
- FIVE ADJUSTABLE SHELVES LOCATED PER ORDER
- THREE FLOOR MOUNTED SLIDE-OUT TRAYS LOCATED PER ORDER
- 1.50" RAISED AERIAL PEDISTAL
- 1500 GPM HIGH FLOW WATERWAY
- BATTERY CHARGER LOCATED PER ORDER
- BATTERY CHARGE INDICATOR LOCATED ON THE DRIVER SIDE SEAT RISER

- XANTREX FREEDOM X INVERTER PER ORDER
- ONE CTECH (4) DRAWER ASSEMBLY PER ORDER
- TWO 120V RECEPTACLES PER ORDER
- ONE SWING-OUT TOOLBOARD PER ORDER
- RUNG LIGHTING ON AERIAL LADDER

MINIMUM A.O.A. = 9.50°

MINIMUM A.O.D. = 9.50°

| REV | DATE | BY | CH | ENFORCER |
|---------|------|-----|--------|----------|
| 22FEB24 | LWE | JLL | MAKE | |
| 08DEC23 | LWE | JLL | PIERCE | |
| 07DEC23 | LWE | JLL | MODEL | |

| | | | |
|---------|--|------------|--------|
| | | JOB NO. | 40044 |
| | | SCALE | DATE |
| TITLE | 75 AERIAL LADDER & BODY ASSEMBLY (HAL) | DRAWN BY | LWE |
| FOR | SQUAMISH LILLOOET REGIONAL DISTRICT PEMBERSTON, BC | CHECKED BY | NAK |
| DWG NO. | 40044AD | SHEET SIZE | D |
| | | SHEET NO. | 1 OF 1 |