

PUMPER BODY

Medium Aluminum 2nd Gen Pumper

CHASSIS

Enforcer Chassis

CHASSIS AXLE, FRONT, CUSTOM

19,500 Lb TAK-4 Axle

AXLE, REAR

27,000 Lb Dana Axle

ENGINE

400 HP Cummins L9 Engine

TRANSMISSION

Allison 6th Gen, 3000 EVS P

BUMPER

19" Extended Painted Steel

CAB

7010 Enforcer Cab

BODY

WATER TANK

1000 Gallon Poly Water Tank

COMPT, PUMPER, REAR

51.25" FF RollUp Rear Compt

COMPT, PUMPER, LEFT SIDE

152" RollUp Full Height Front & Rear FDLR

COMPT, PUMPER, RIGHT SIDE

152" RollUp Full Height Front & Rear FDLR

FIRE SUPPRESSION PUMPHOUSE

45" Control Zone Top Mount

PUMP

1500 GPM Darley PSM

CROSSLAYS, 1.50"

1.50" Crosslays Not Required

CROSSLAYS, 2.50"

2.50" Crosslay Not Required

SPEEDLAYS

(2) 1.50" W/Tray Std. Capacity

GENERATOR

Generator Not Required

Foam System

FoamPro 1600

Foam Cell

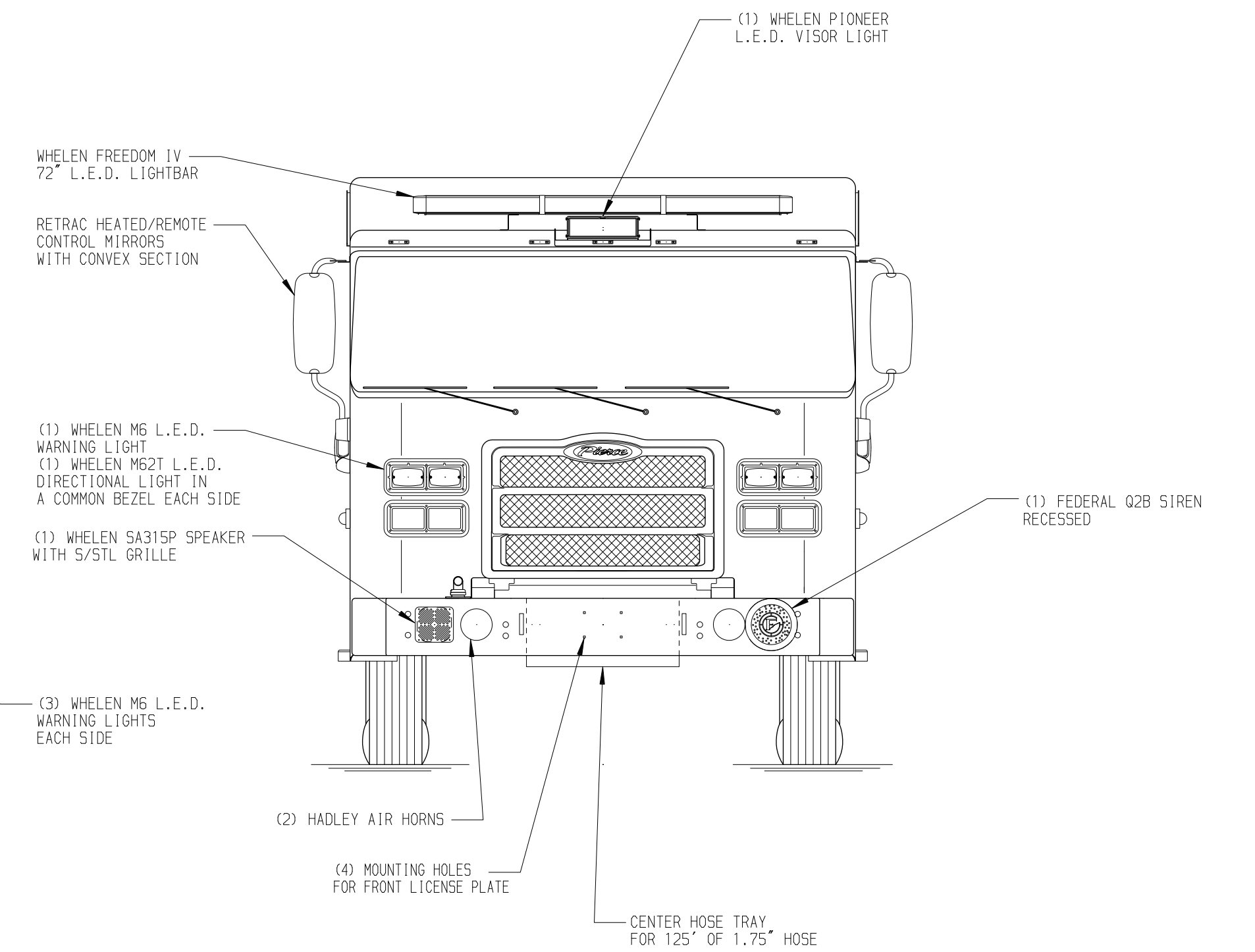
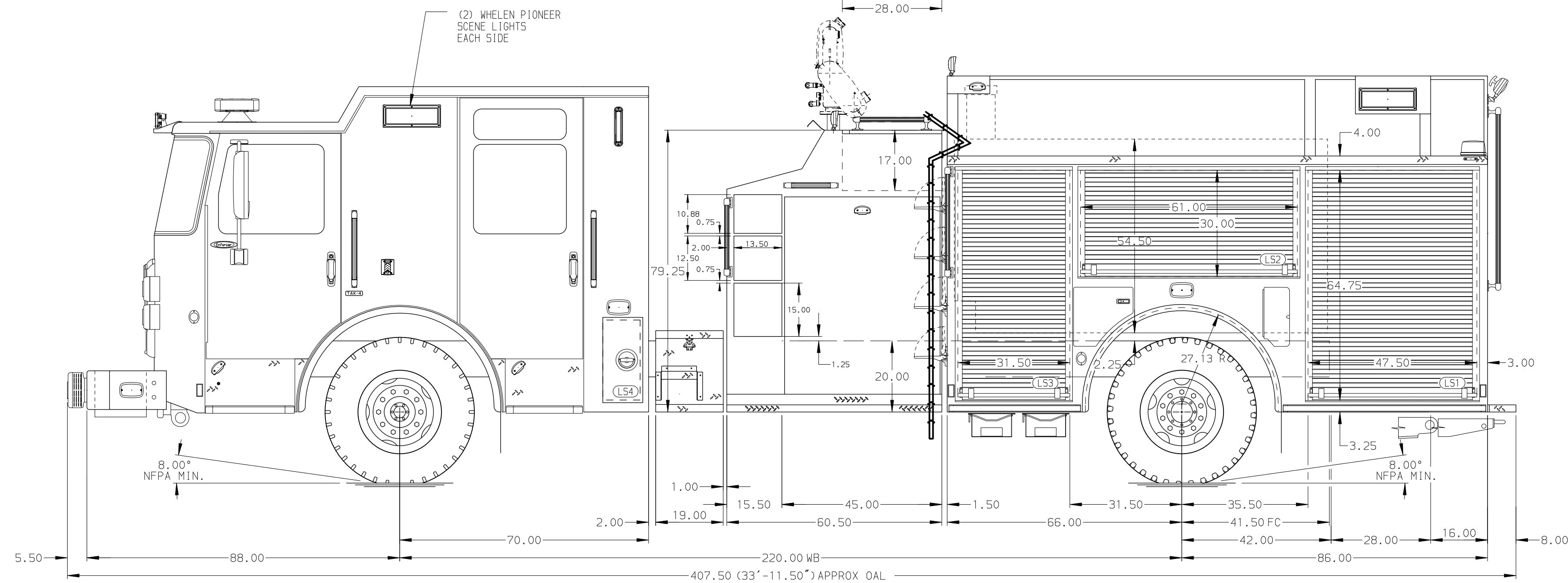
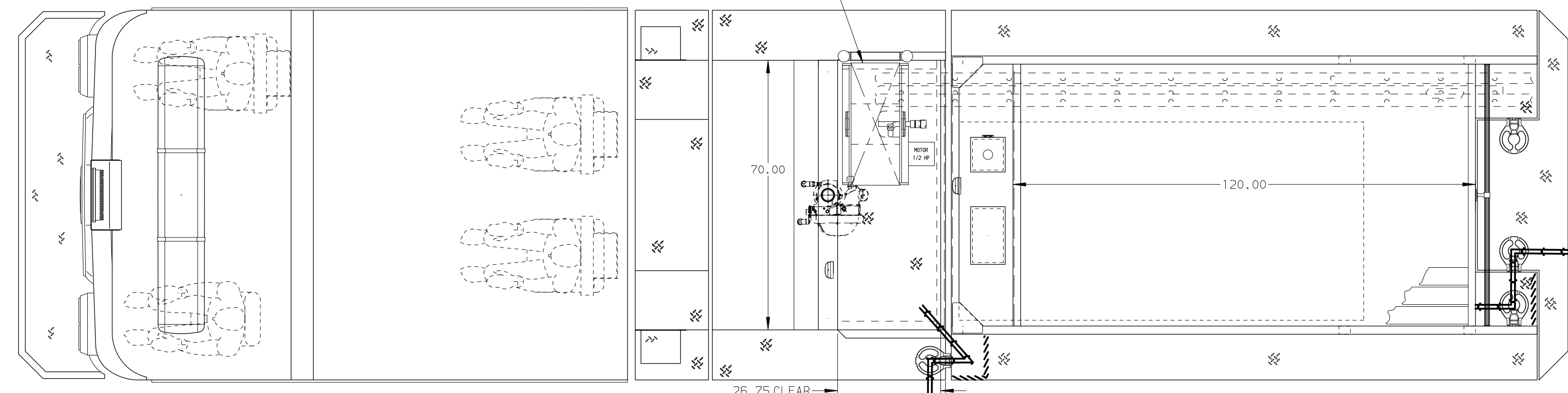
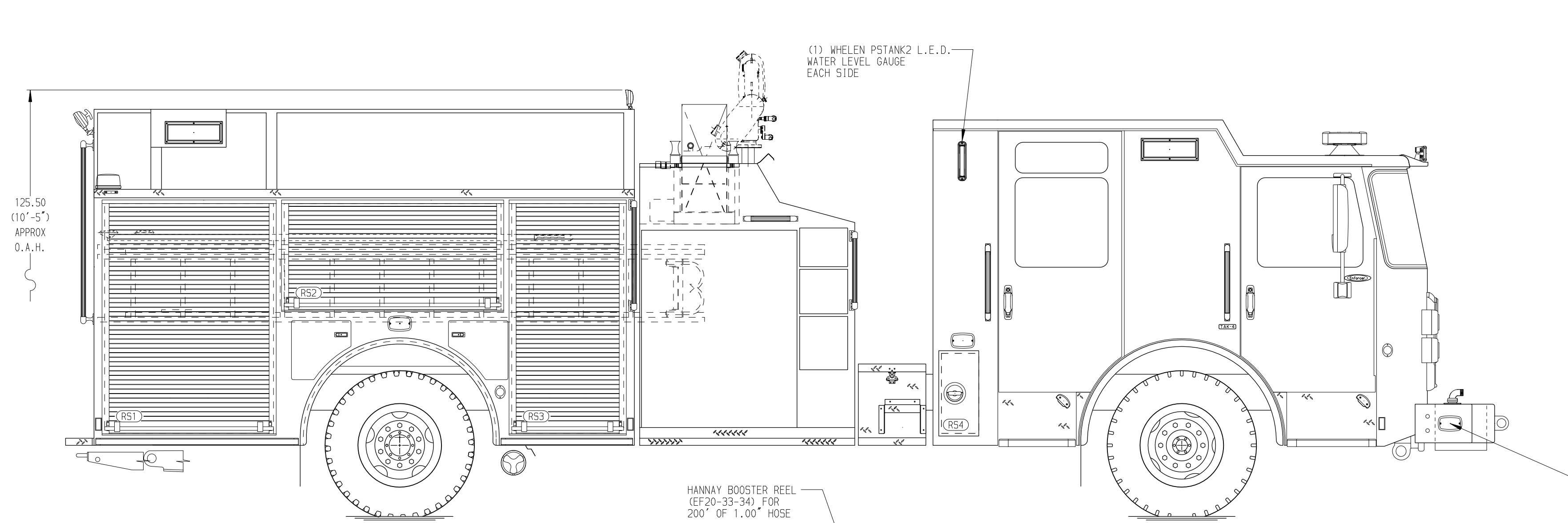
20 Gal. Foam Cell Reduce Water

Side Roll and Frontal Impact Protection

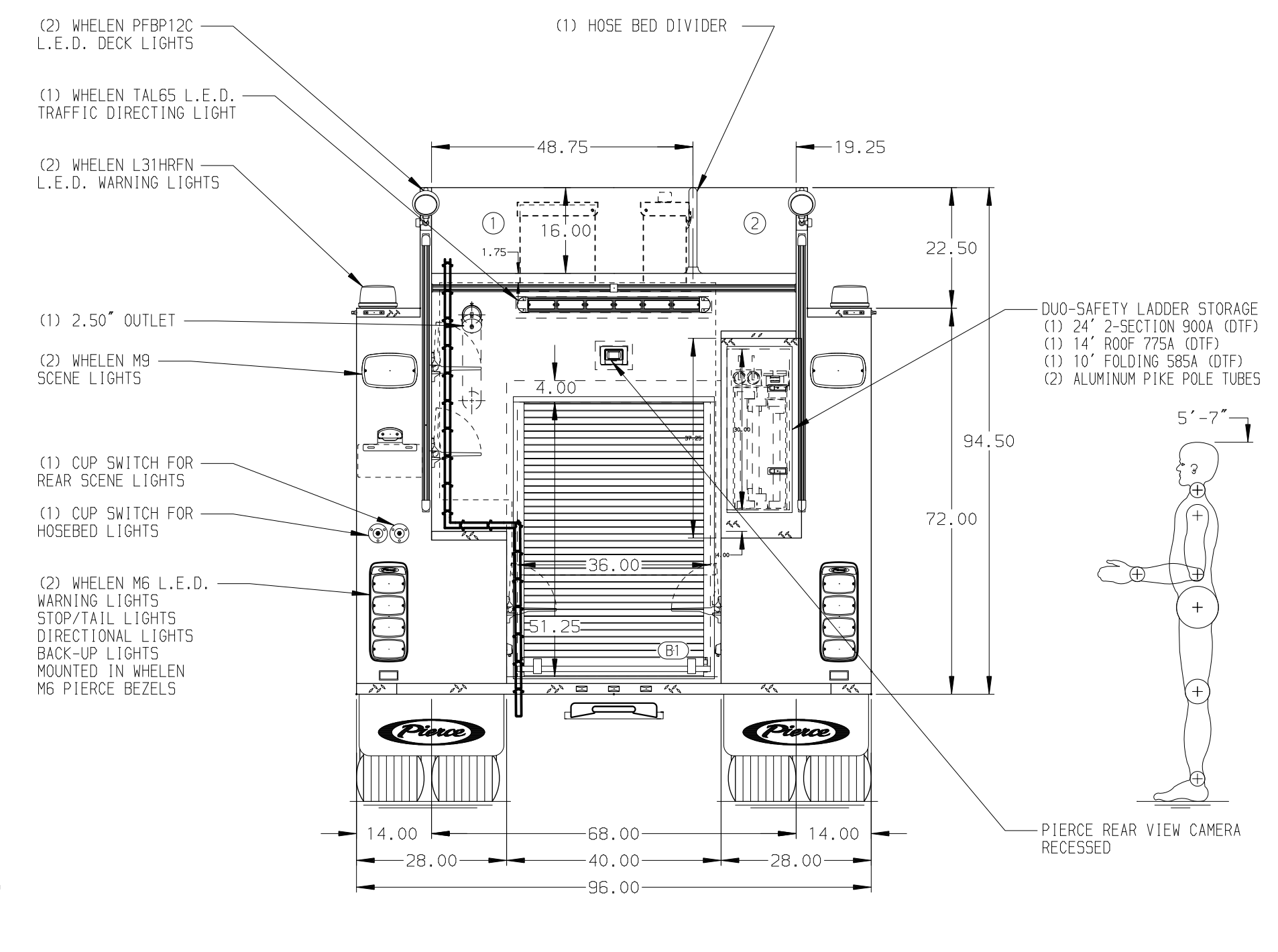
NOTE

DIMENSIONS SHOWN ARE APPROXIMATE AND ARE SUBJECT TO MINOR DEVIATIONS AS MAY OCCUR OR BE NECESSARY IN CONSTRUCTION. MINOR DETAILS NOT SHOWN.

- ONE 1.50" OUTLET WITH 2.00" PIPING AND SWIVEL LOCATED ON TOP BUMPER RIGHT SIDE
- BLUE SEA SURE EJECT RECEPTACLE LOCATED ON DRIVER SIDE OF THE CAB
- AIR INLET WITH DISCONNECT COUPLING IN THE DRIVER SIDE STEPMILL
- BATTERY CHARGER LOCATED PER ORDER
- BATTERY CHARGE INDICATOR LOCATED ON THE DRIVER SIDE SEAT RISER
- SEVEN ADJUSTABLE SHelves LOCATED PER ORDER
- THREE FLOOR MOUNTED SLIDE-OUT TRAY LOCATED PER ORDER
- ONE SLIDE-OUT TRAY LOCATED PER SHOP ORDER
- ONE CTECH THREE DRAWER ASSEMBLY LOCATED PER SHOP ORDER
- PAC TRAC ON BACK WALL IN COMPARTMENT PER SHOP ORDER



HOSEBED CAPACITY	
BED 1	1000' OF 5.00" D.J. POLY HOSE
BED 2	400' OF 2.50" D.J. POLY HOSE



CUSTOMER APPROVAL

APPROVED BY: _____
DATE: _____



JOB NO. 40123

SCALE 1:24 DATE

REV	DATE	BY	CH	ENFORCER

TITLE	FOR	DWG NO.	SHEET NO.
Pierce Pumper Approval Drawing	Copperas Cove Fire Department	40123AD	1 OF 1

DRAWN BY MMF 10JAN23
CHECKED BY COL 16JAN23
SHEET SIZE D SHEET NO. 1 OF 1