

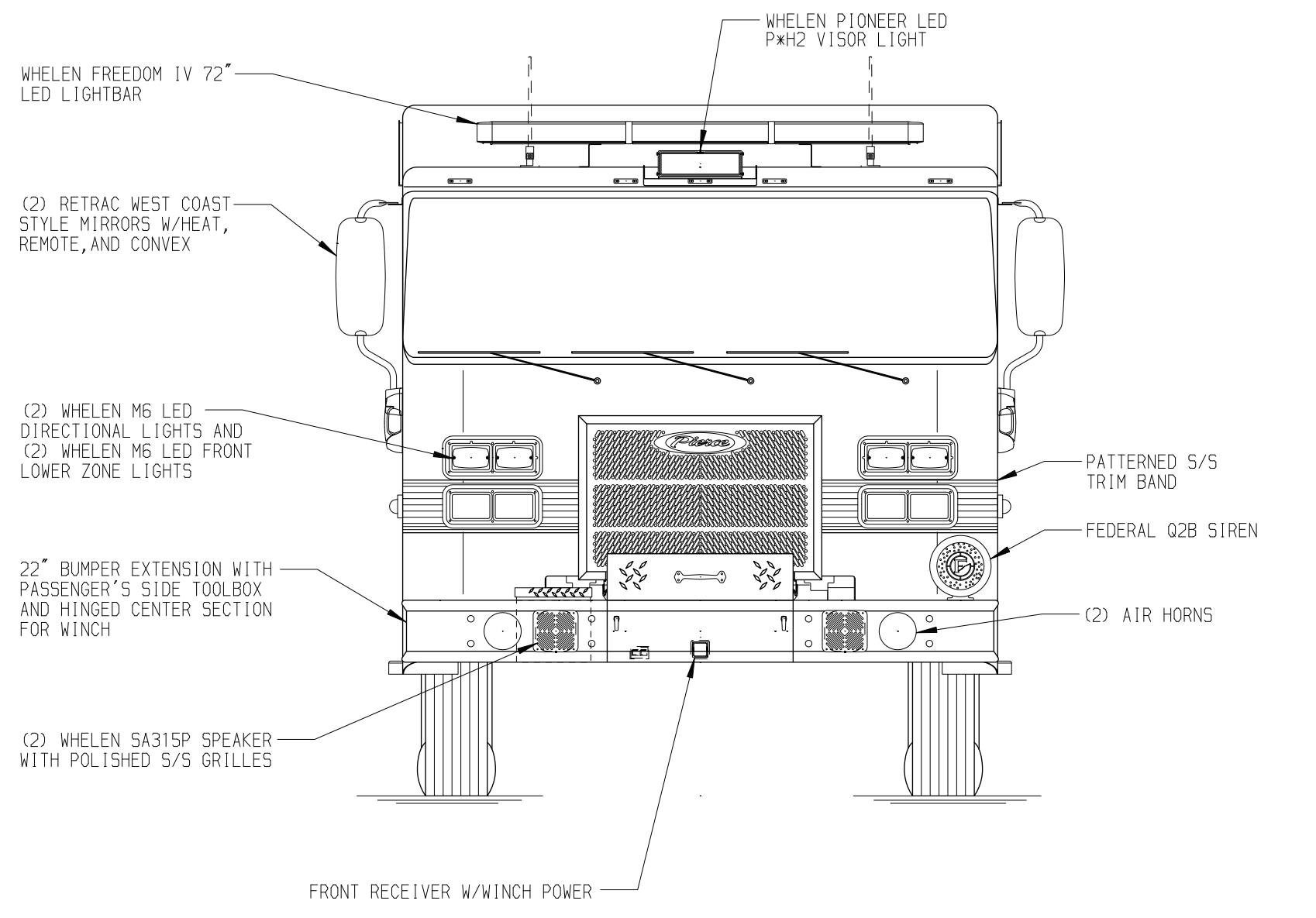
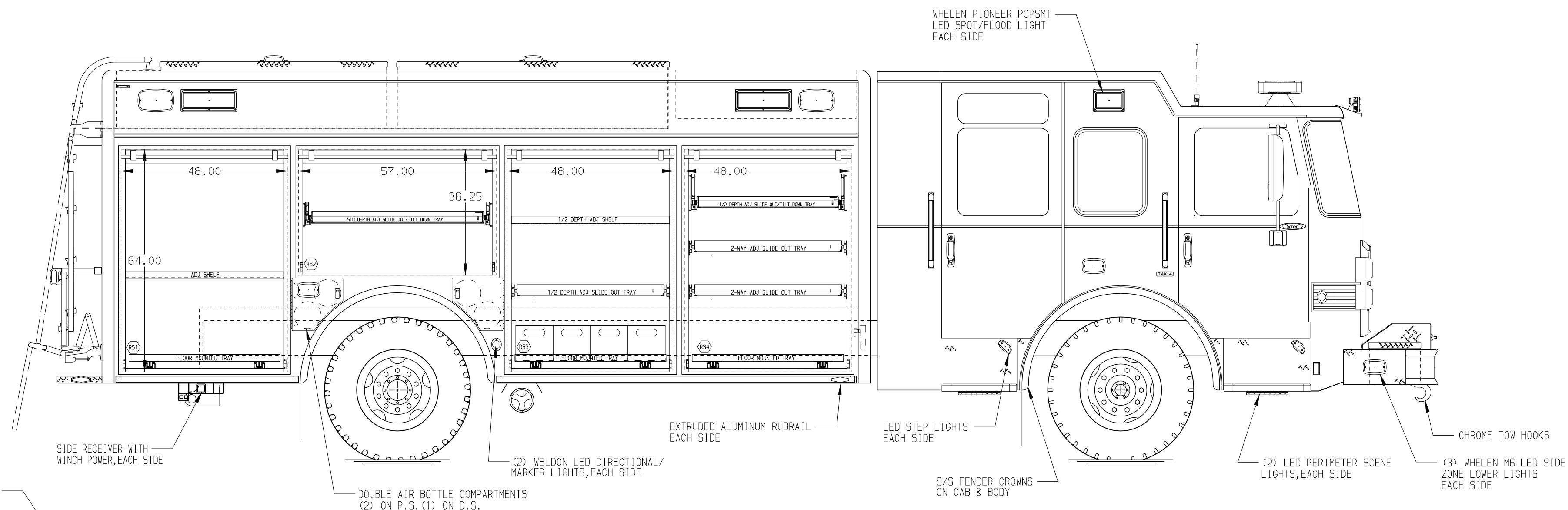
**PASSENGER'S SIDE COMPARTMENTS CONTAIN THE FOLLOWING:**

COMPARTMENT P1 CONTAINS:  
 - (1) FLOOR MOUNTED TRAY  
 - (1) STD DEPTH ADJ SHELF

COMPARTMENT P2 CONTAINS:  
 - (1) STD DEPTH ADJ SLIDE OUT/TILT TRAY

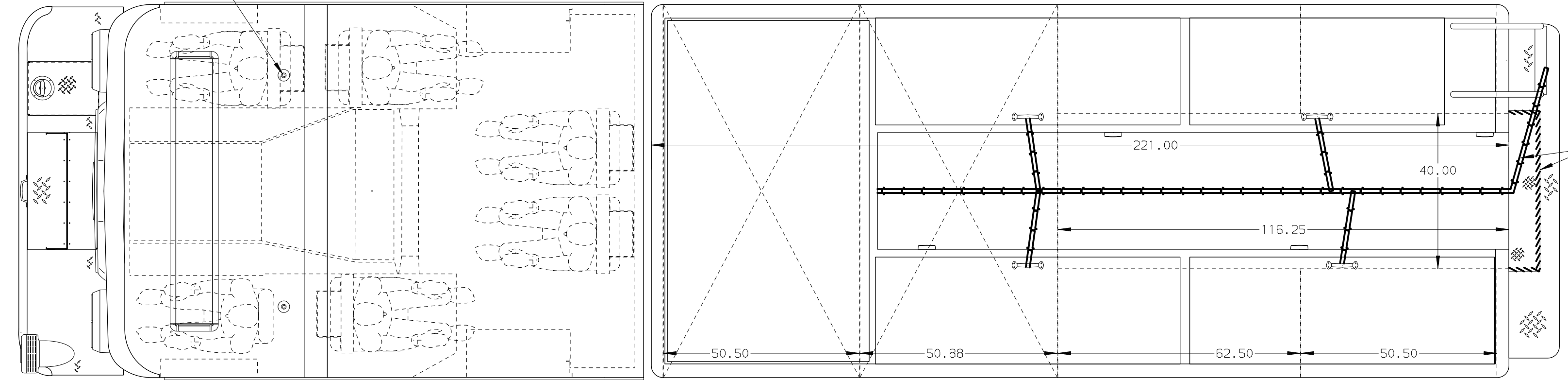
COMPARTMENT P3 CONTAINS:  
 - (1) 1/2 DEPTH ADJ SHELF  
 - (1) FLOOR MOUNTED TRAY  
 - (1) 1/2 DEPTH ADJ SLIDE OUT TRAY  
 - (4) POLY TOOL BOXES

COMPARTMENT P4 CONTAINS:  
 - (1) 1/2 DEPTH ADJ SLIDE OUT/TILT TRAY  
 - (1) FLOOR MOUNTED TRAY  
 - (1) CAB LIFT CONTROLLER  
 - (2) 2-WAY ADJ SLIDE OUT TRAYS



**REAR COMPARTMENT CONTAINS THE FOLLOWING:**

COMPARTMENT R1 CONTAINS:  
 - (1) 110" DP SLIDE OUT TRAY  
 - (1) FLOOR MOUNTED TRAY  
 - (1) STOKES BASKET RACK



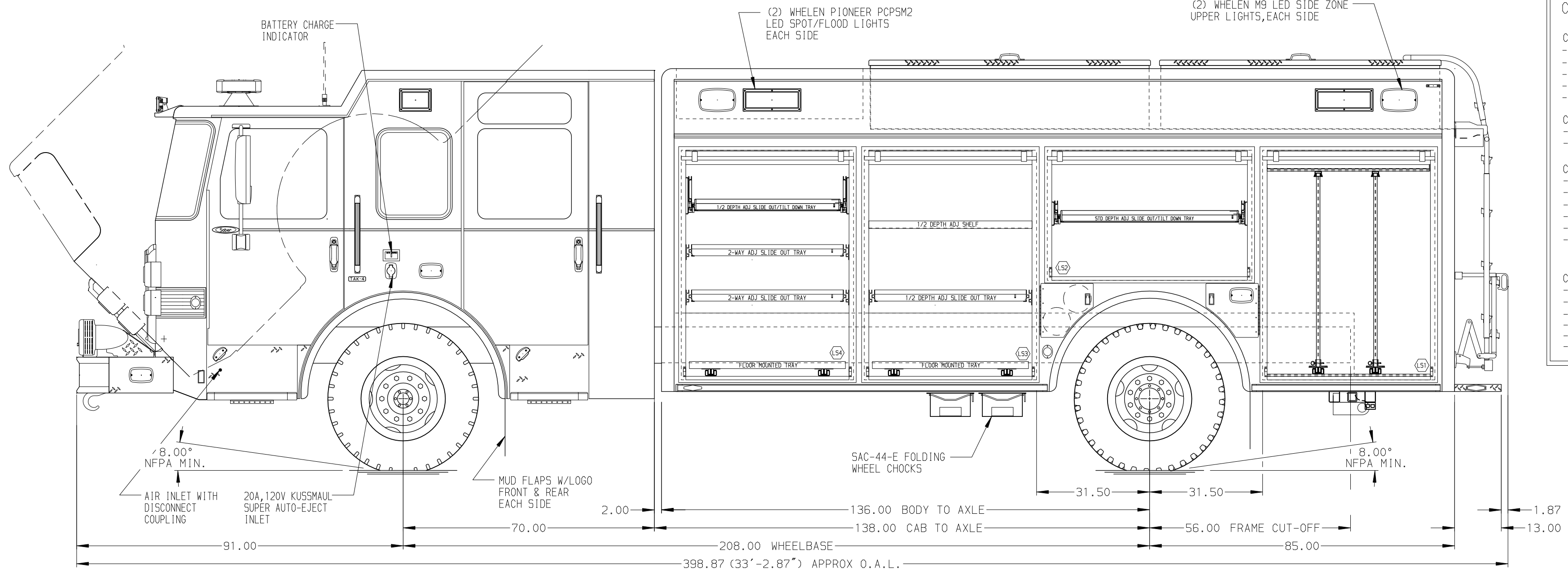
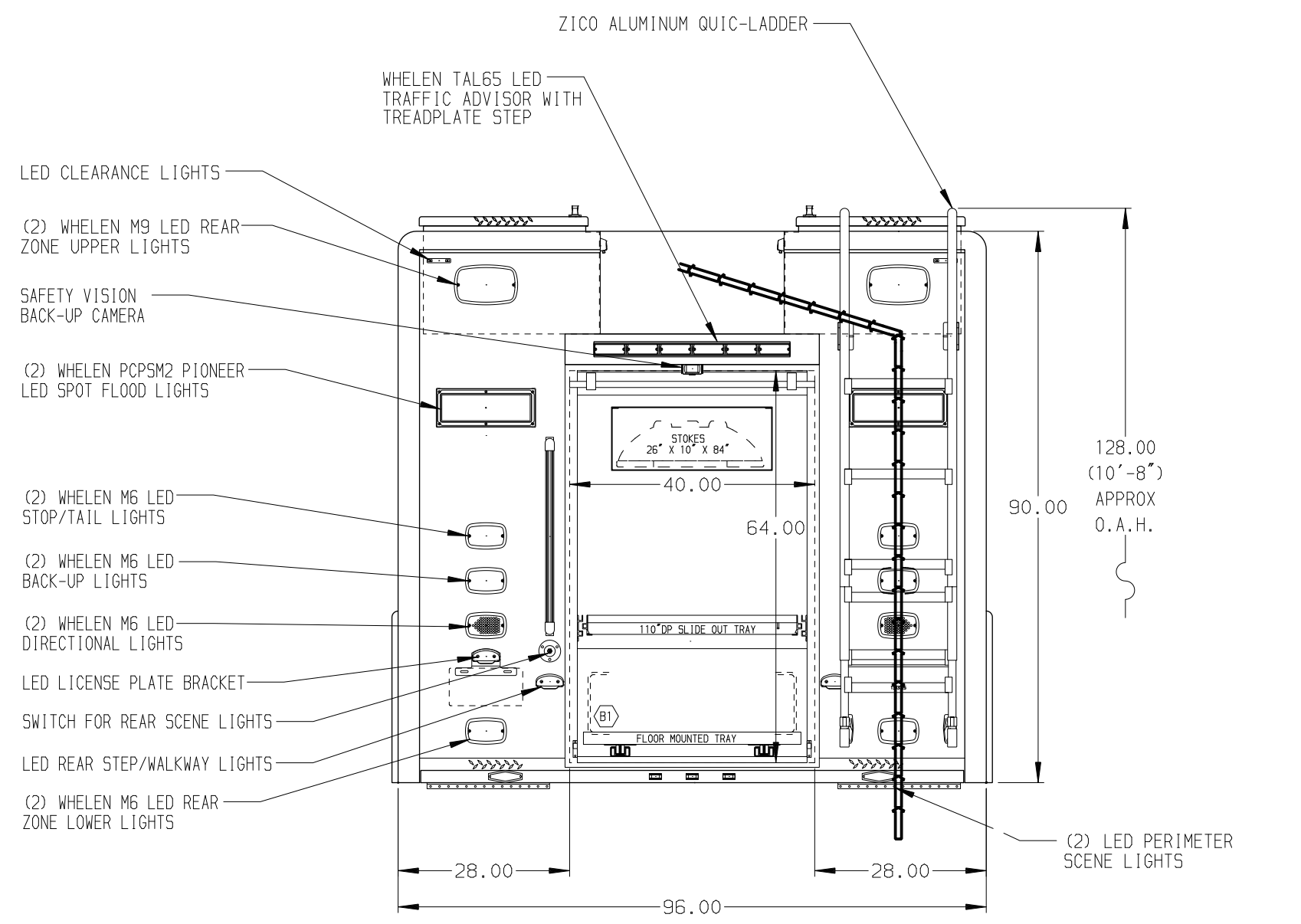
**DRIVER'S SIDE COMPARTMENTS CONTAIN THE FOLLOWING:**

COMPARTMENT D1 CONTAINS:  
 - (2) STD DEPTH ADJ SLIDE OUT TOOLBOARDS

COMPARTMENT D2 CONTAINS:  
 - (1) STD DEPTH ADJ SLIDE OUT/TILT TRAY

COMPARTMENT D3 CONTAINS:  
 - (1) 1/2 DEPTH ADJ SHELF  
 - (1) 1/2 DEPTH ADJ SLIDE OUT TRAY  
 - (1) FLOOR MOUNTED TRAY

COMPARTMENT D4 CONTAINS:  
 - (1) 1/2 DEPTH ADJ SLIDE OUT/TILT TRAY  
 - (2) 2-WAY ADJ SLIDE OUT TRAYS  
 - (1) FLOOR MOUNTED TRAY



**CUSTOMER APPROVAL**

APPROVED BY: \_\_\_\_\_  
 DATE: \_\_\_\_\_



JOB NO.	40161
SCALE	1:24
DATE	
DRAWN BY	DHE
CHECKED BY	CDK
SHEET NO.	1 OF 1

CLEAR DOOR WIDTH KEY	
AMOR ROLL UP DOORS:	-2 1/4"
CORTITE ROLL UP DOORS:	-2 1/2"
PIERCE DOUBLE LIP DOORS:	-4 1/4"
PIERCE LIFT-UP LIP DOORS:	-1 1/2"
(EX: 60" F-F - 2 1/4" = 57 3/4" CLEAR)	
(F-F) = FRAME TO FRAME	

TITLE	HEAVY DUTY RESCUE NON-WALKIN
FOR	PIERCE STOCK
DWG NO.	40161AD

**NOTE**

DIMENSIONS SHOWN ARE APPROXIMATE AND ARE SUBJECT TO MINOR DEVIATIONS AS MAY OCCUR OR BE NECESSARY IN CONSTRUCTION. MINOR DETAILS NOT SHOWN.

- NOTES:**
1. WARN #9,000 PORTABLE WINCH
  2. FLOOR IN CAB AND CREW CAB TO BE PADDED RUBBER
  3. PULL STRAPS ON ALL BODY ROLL UP DOORS
  4. PIERCE LED LIGHT STRIPS IN ALL BODY AND HATCH COMPARTMENTS
  5. 107A 75 AMP BATTERY CHARGER LOCATED BEHIND THE DRIVER'S SEAT
  6. S/S GUARDS ON ALL BODY ROLL-UP DOORS

(SIDE ROLL & FRONTAL IMPACT PROTECTION)