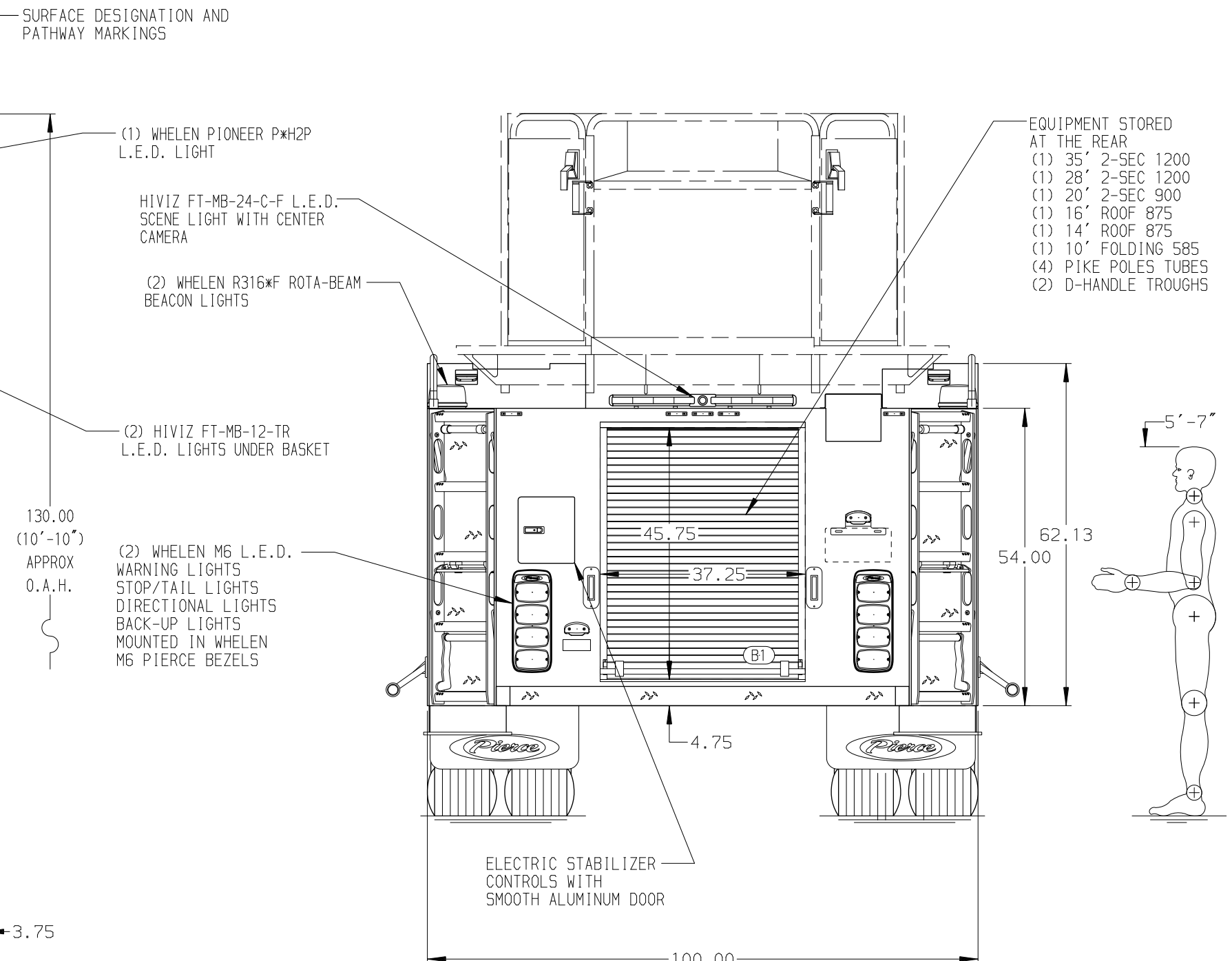
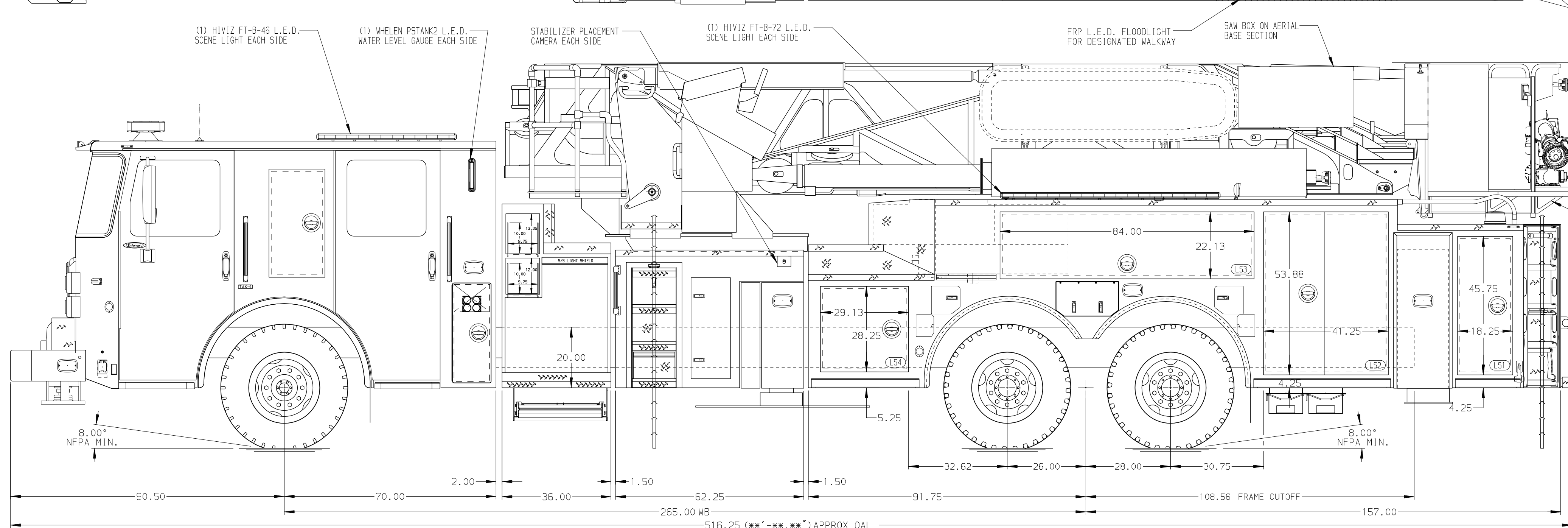


BODY 100' Ascendant Aerial Tower Alum Body COMPT, LEFT SIDE Full Height Lap Doors COMPT, RIGHT SIDE Full Height Lap Doors	WATER TANK 300 Gal/Lon Poly Water Tank Foam System Foam System Not Required Foam Cell Foam Cell Not Required
---	--



CHASSIS Enforcer Chassis ENGINE 500 HP Cummins X12 Engine	CAB 7000 Enforcer Cab BUMPER 21\"/>
--	--

AXLE, FRONT, CUSTOM 22,800 Lb TAK-4 Axle AXLE, REAR 54,000 Lb Meritor Axle	TRANSMISSION Allison 6th Gen, 4500 EV5 P	PUMPHOUSE 36\"/>
---	--	----------------------------

NOTE DIMENSIONS SHOWN ARE APPROXIMATE AND ARE SUBJECT TO MINOR DEVIATIONS AS MAY OCCUR OR BE NECESSARY IN CONSTRUCTION. MINOR DETAILS NOT SHOWN.	<ol style="list-style-type: none"> SHORELINE RECEPTACLE LOCATED ON DRIVER SIDE OF THE CAB AIR INLET WITH DISCONNECT COUPLING ON THE DRIVER SIDE CAB CORNER BATTERY CHARGER LOCATED PER ORDER BATTERY CHARGE INDICATOR LOCATED ON THE DRIVER SIDE SEAT RISER FOUR ADJUSTABLE SHELVES LOCATED PER ORDER NON-RAISED AERIAL PEDESTAL ONE VERTICAL PARTITION PER ORDER ONE FIXED SHELF PER ORDER ONE SLIDE-OUT TRAY PER ORDER FIVE FLOOR MOUNTED SLIDE-OUT TRAYS PER ORDER ONE TOOLBOARD ADDED TO SLIDE-OUT TRAY PER ORDER ONE TOOLBOARD SWING-OUT PER ORDER TWO TOOLBOARDS ON COMPARTMENT WALLS PER ORDER ONE RACK FOR HOSE STORAGE PER ORDER TWO ADDITIONAL POLY TRAYS PER ORDER HOSE STORAGE BOX ON RIGHT SIDE OF BASKET FOR 100' OF 1.75\"/>
--	--

PIERCE MANUFACTURING INC.	JOB NO. 40167
SCALE 1:24	DATE
DRAWN BY LWE	15MAY23
CHECKED BY NAK	17MAY23
SHEET SIZE D	SHEET NO. 1 OF 1

20SEPT23	LWE	DTJ	MAKE
14SEPT23	LWE	DTJ	PIERCE
11JULY23	LWE	DTJ	MODEL
REV	DATE	BY	CH

TITLE	100' ASCENDANT AERIAL TOWER AND BODY ASSEMBLY
FOR	300 GALLONS WATER MOUNT PLEASANT FIRE DEPARTMENT MOUNT PLEASANT, IA
DWG NO.	40167AD