

**PUMPER
BODY**

Long Aluminum 2nd Gen Pumper

CHASSIS
Enforcer Chassis

**CHASSIS
AXLE, FRONT, CUSTOM**
19,500 Lb TAK-4 Axle

AXLE, REAR
27,000 Lb Dana Axle

ENGINE
450 HP Cummins L9 Engine

TRANSMISSION
Allison 6th Gen, 3000 EVS P

BUMPER
22" Extended Stainless Steel

CAB
7010 Enforcer Cab

**BODY
WATER TANK**
1000 Gallon Poly Water Tank

COMPT, PUMPER, REAR
44.50" FF RollUp Rear Compt

COMPT, PUMPER, LEFT SIDE
171" RollUp Full Height Front & Rear FDLR

COMPT, PUMPER, RIGHT SIDE
171" RollUp Full Height Front & Rear FDLR

**FIRE SUPPRESSION
PUMPHOUSE**

45" Control Zone Side Mount

PUMP

1500 GPM Waterous CSU

CROSSLAYS, 1.50"
(2) 1.50" Standard Capacity

CROSSLAYS, 2.50"
2.50" Crosslay Not Required

SPEEDLAYS
Speedlays Not Required

GENERATOR
Generator Not Required

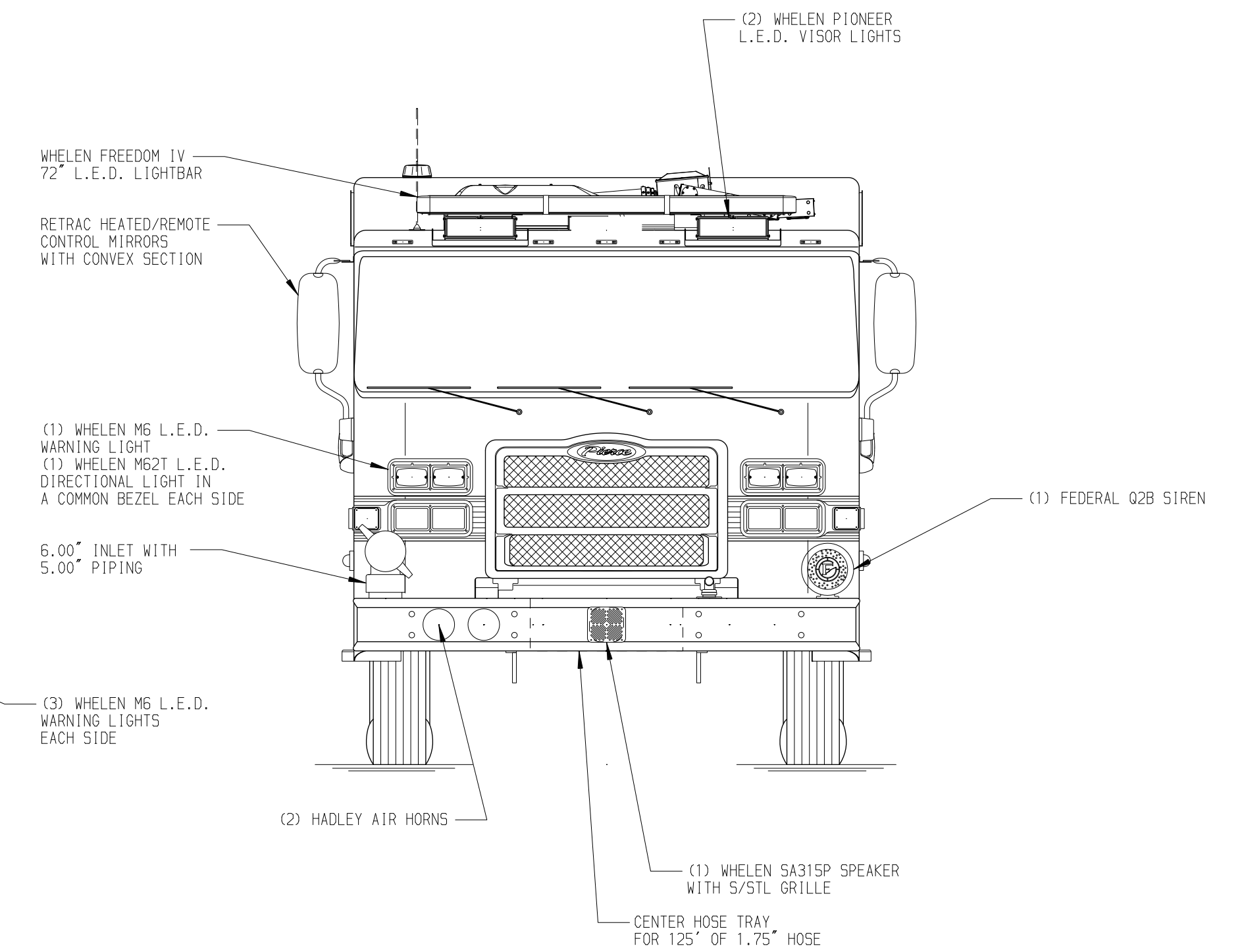
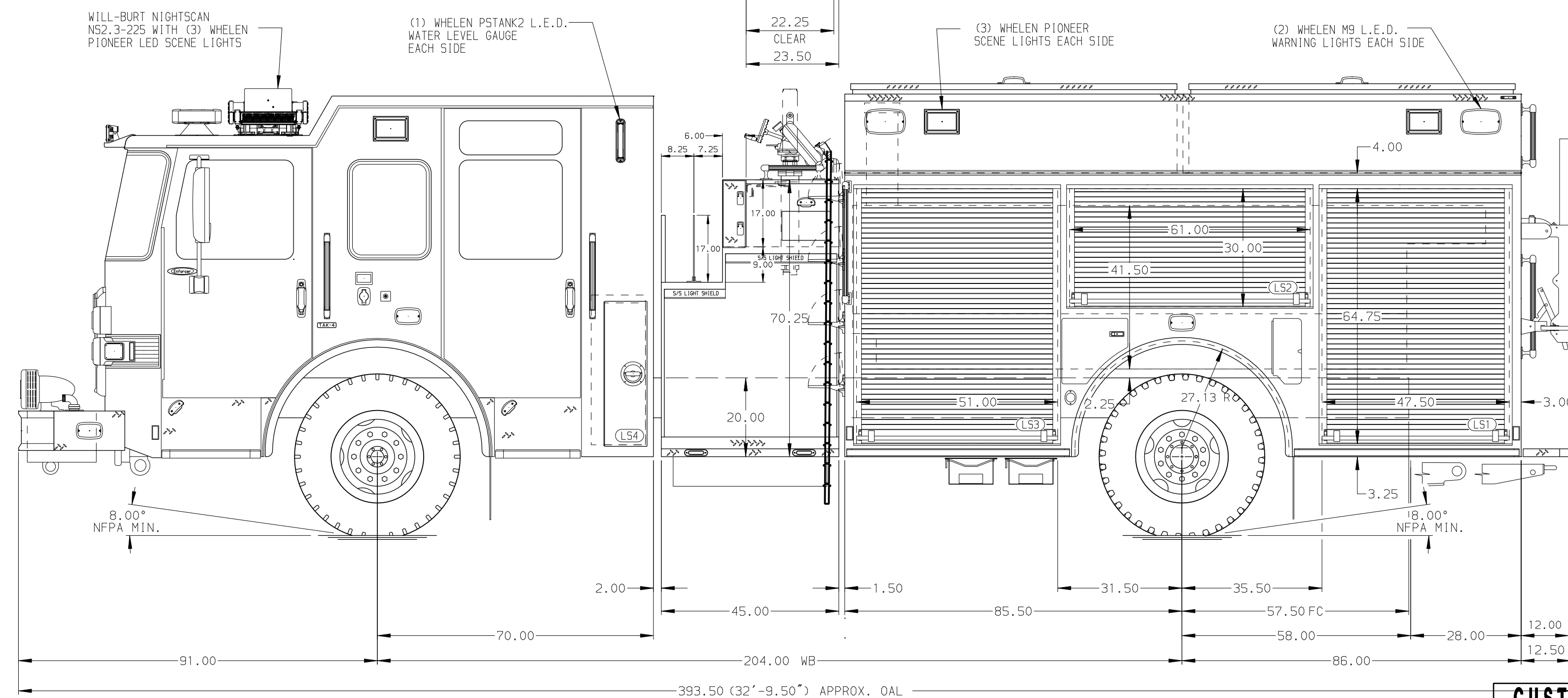
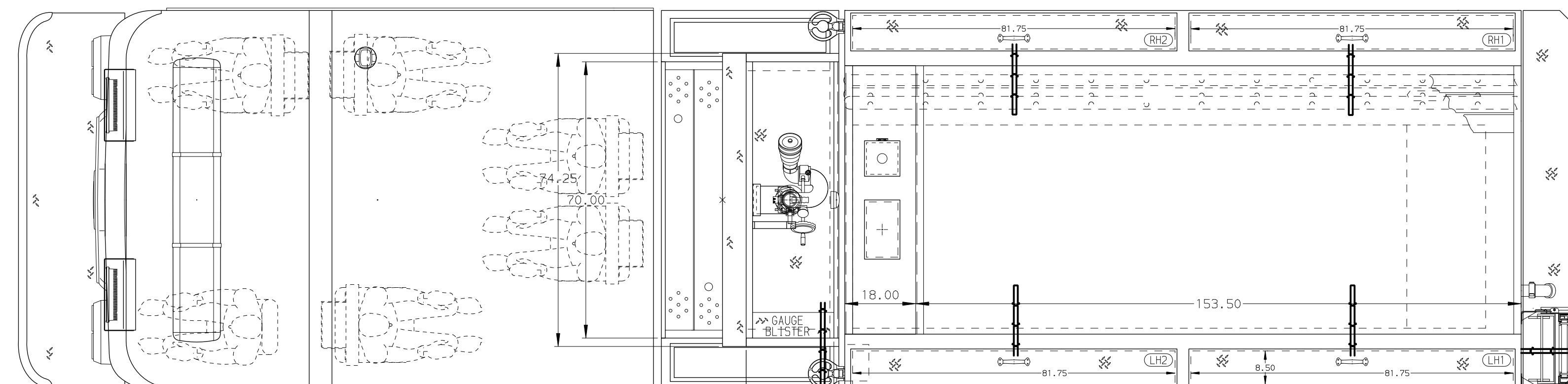
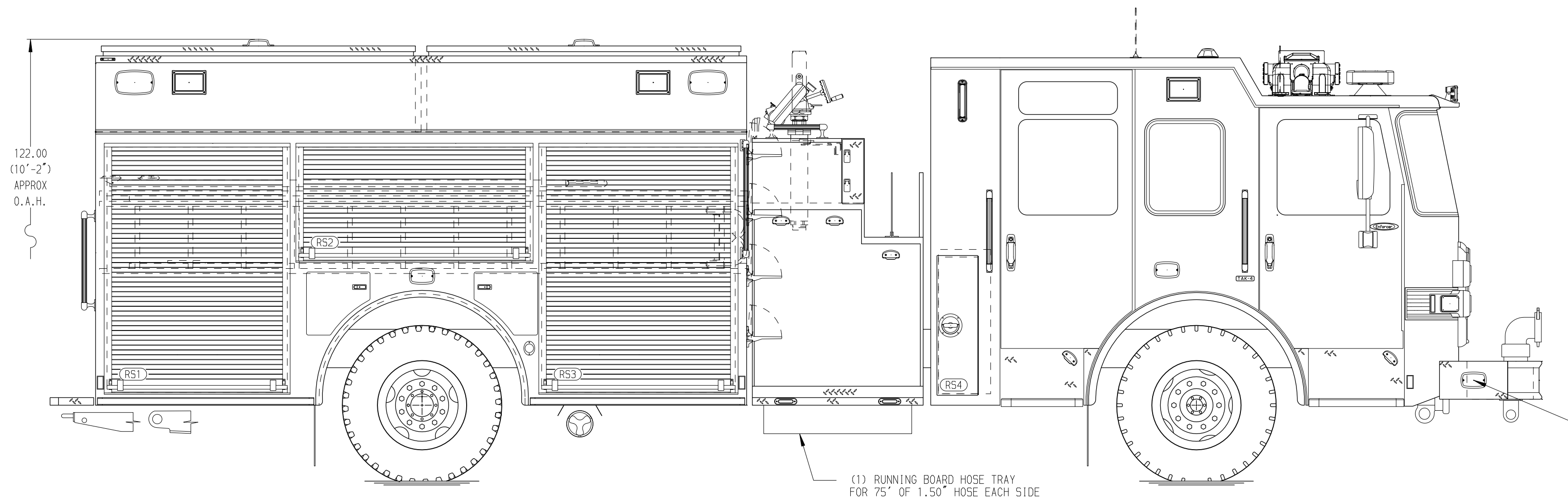
Foam System
Foam System Not Required

Foam Cell
30 Gal Foam Cell Not Reduce Water

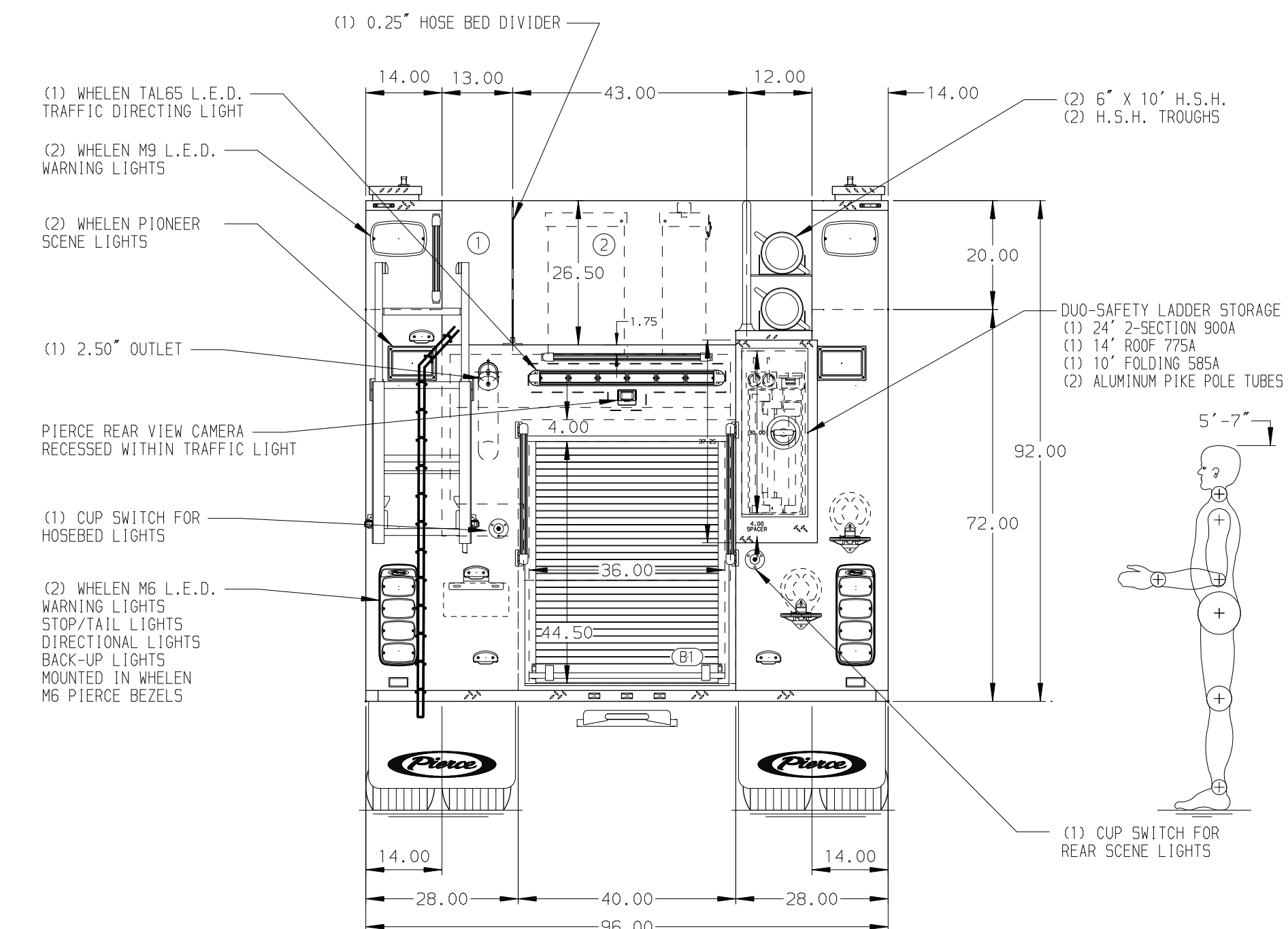
Side Roll and Frontal Impact Protection

NOTE
DIMENSIONS SHOWN ARE APPROXIMATE
AND ARE SUBJECT TO MINOR DEVIATIONS
AS MAY OCCUR OR BE NECESSARY IN
CONSTRUCTION.
MINOR DETAILS NOT SHOWN.

- ONE 1.50" OUTLET WITH 2.00" PIPING AND SWIVEL LOCATED ON TOP BUMPER LEFT SIDE
- SHORELINE RECEPTACLE WITH KUSSMAUL SUPER AUTO-EJECT LOCATED ON DRIVER SIDE OF THE CAB
- AIR INLET WITH DISCONNECT COUPLING ON DRIVER SIDE OF CAB
- BATTERY CHARGER LOCATED PER ORDER
- BATTERY CHARGE INDICATOR LOCATED ON THE DRIVER SIDE OF CAB



HOSEBED CAPACITY	
BED 1	400' OF 3.00" D.J. POLY HOSE
BED 2	1250' OF 5.00" D.J. POLY HOSE



CUSTOMER APPROVAL

APPROVED BY: _____
DATE: _____



JOB NO. 40211

SCALE 1:24 DATE

DRAWN BY MMF 16JAN23

CHECKED BY COL 18JAN23

SHEET SIZE D SHEET NO. 1 OF 2

REV	DATE	BY	CH	ENFORCER
-	-	-	-	-

TITLE	FOR	DWG NO.
Pierce Pumper Approval Drawing	Pocantico Hills Fire District	40211AD-SH1