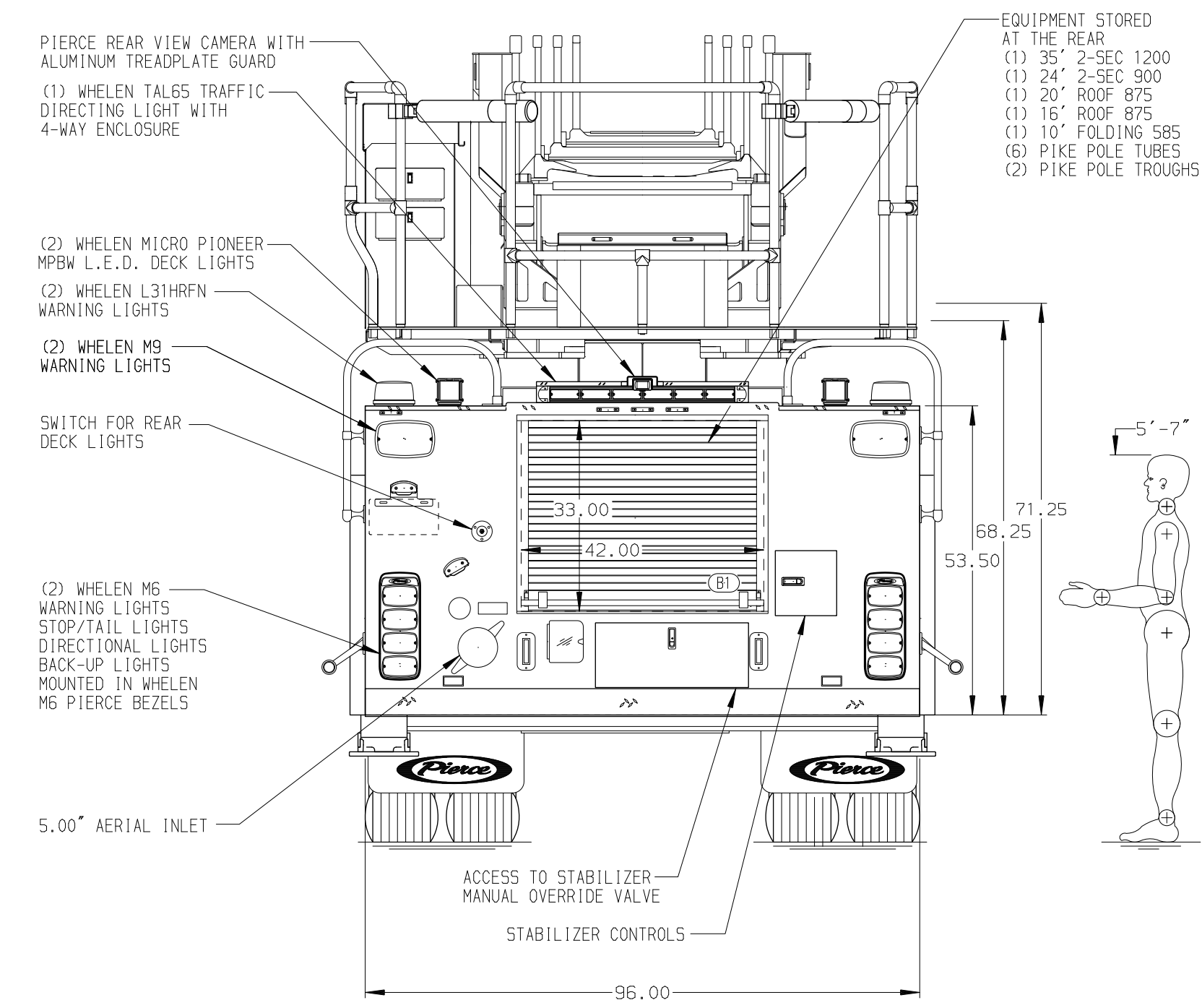
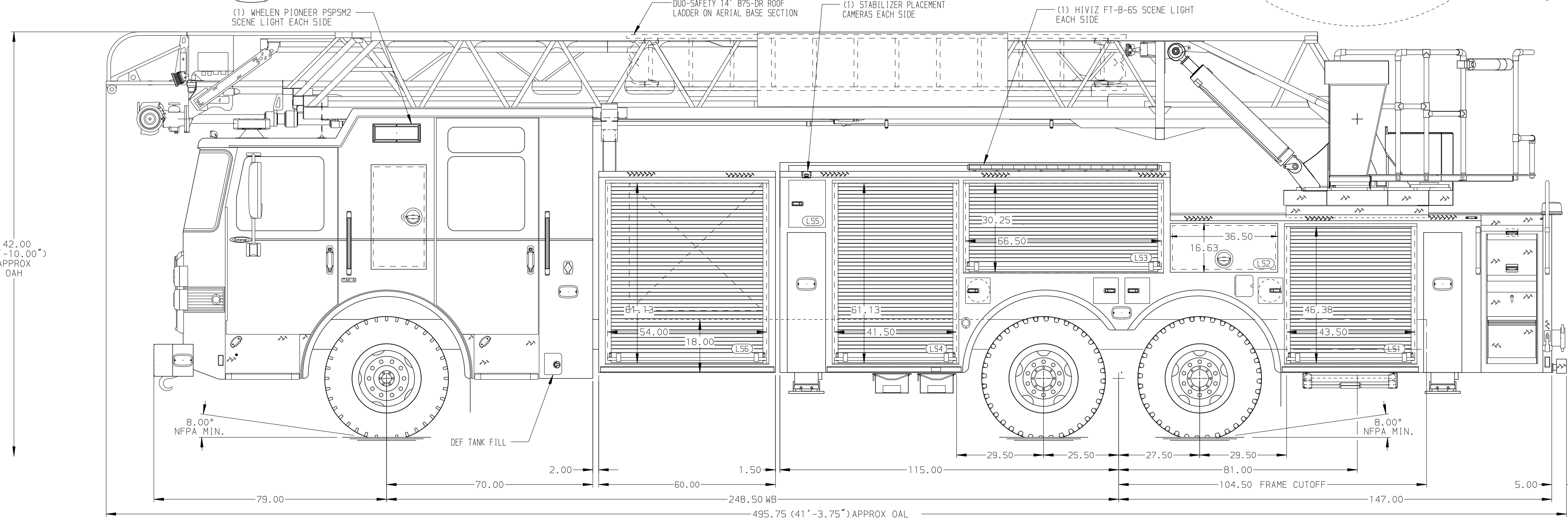
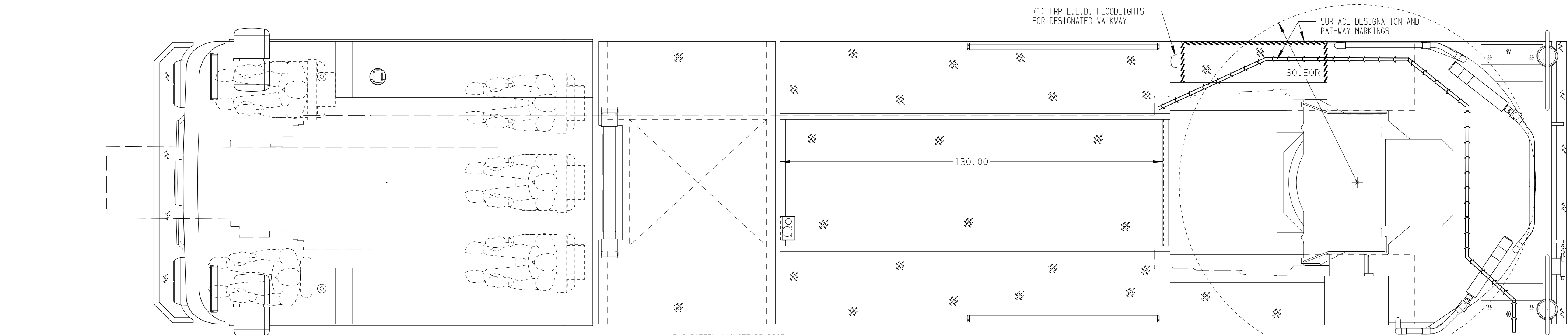


BODY
 107' ASL Tandem Axle Aluminum Body
 COMPT, LEFT SIDE FRONT
 FH/FD RollUp Forward w/o Chute
 COMPT, LEFT SIDE REAR
 FH/FD RollUp and Lift-up Rearward
 COMPT, RIGHT SIDE FRONT
 FH/FD RollUp Forward w/o Chute
 COMPT, RIGHT SIDE REAR
 FH/FD RollUp and Lift-up Rearward



CHASSIS Enforcer Chassis ENGINE 510 HP Paccor MX13 Engine	CAB 7010 Notched Enforcer Cab BUMPER 10" Extended Painted Steel	AXLE, FRONT, CUSTOM 22,800 Lb TAK-4 Axle AXLE, REAR 44,000 Lb Meritor Axle	TRANSMISSION Allison 6th Gen, 4500 EVS P GENERATOR Generator Not Required	COMPARTMENT-NO PUMP 60" Wide w/RollUp Door	SAFETY Side Roll and Frontal Impact Protection
NOTE DIMENSIONS SHOWN ARE APPROXIMATE AND ARE SUBJECT TO MINOR DEVIATIONS AS MAY OCCUR OR BE NECESSARY IN CONSTRUCTION. MINOR DETAILS NOT SHOWN.					
1. 14.00" LIMITED RETRACTION REQUIRED 2. SHORELINE RECEPTACLE WITH KUSSMAUL SUPER AUTO-EJECT LOCATED BEHIND CREW CAB DOOR 3. AIR INLET WITH DISCONNECT COUPLING IN THE DRIVERS SIDE STEPWELL FORWARD 4. BATTERY CHARGER LOCATED IN DRIVERS SIDE EMS COMPARTMENT PER ORDER 5. BATTERY CHARGE INDICATOR LOCATED ON THE DRIVER SIDE SEAT RISER 6. EIGHT ADJUSTABLE SHELVES LOCATED IN COMPARTMENTS PER ORDER 7. THREE FLOOR MOUNTED SLIDE-OUT TRAYS LOCATED IN COMPARTMENTS PER ORDER 8. TWO TWO-WAY SLIDE-OUT TRAYS LOCATED IN COMPARTMENTS PER ORDER 9. ONE CTECH THREE-DRAWER ASSEMBLY LOCATED IN COMPARTMENT PER ORDER 10. TWO SWING-OUT ALUMINUM TOOLBOARDS LOCATED IN COMPARTMENTS PER ORDER		11. TWO BACK WALL MOUNTED PEGBOARDS LOCATED IN COMPARTMENTS PER ORDER 12. DUAL LIGHT STRIPS LOCATED IN COMPARTMENTS PER ORDER 13. TWO RECEPTACLES LOCATED IN EMS CABINETS PER ORDER 14. LIFTING EYE ROPE RESCUE ATTACHMENT AT AERIAL TIP 15. 1500 GPM HIGH FLOW WATERWAY 16. 3.00" RAISED AERIAL PEDestal 17. TRIDENT STEPS ON AERIAL DEVICE PER ORDER 18. TECNO RING LIGHTING ON AERIAL DEVICE PER ORDER 19. FIRE RESEARCH 2-WAY INTERCOM			

CUSTOMER APPROVAL			
APPROVED BY:			
DATE:			
REV	DATE	BY	CH
09AUG23	ANZ	THS	PIERCE
14JUL23	ANZ	THS	MODEL

MANUFACTURING INC.		JOB NO.	40231
		SCALE	1:24
TITLE 107' ASCENDANT AERIAL LADDER AND BODY ASSEMBLY NO PUMP, NO TANK FOR PIERCE STOCK UNIT APPLETON, WI	DRAWN BY	ANZ	09MAY23
	CHECKED BY	THS	11MAY23
DWG NO.	40231AD		SHEET NO.
			1 OF 1