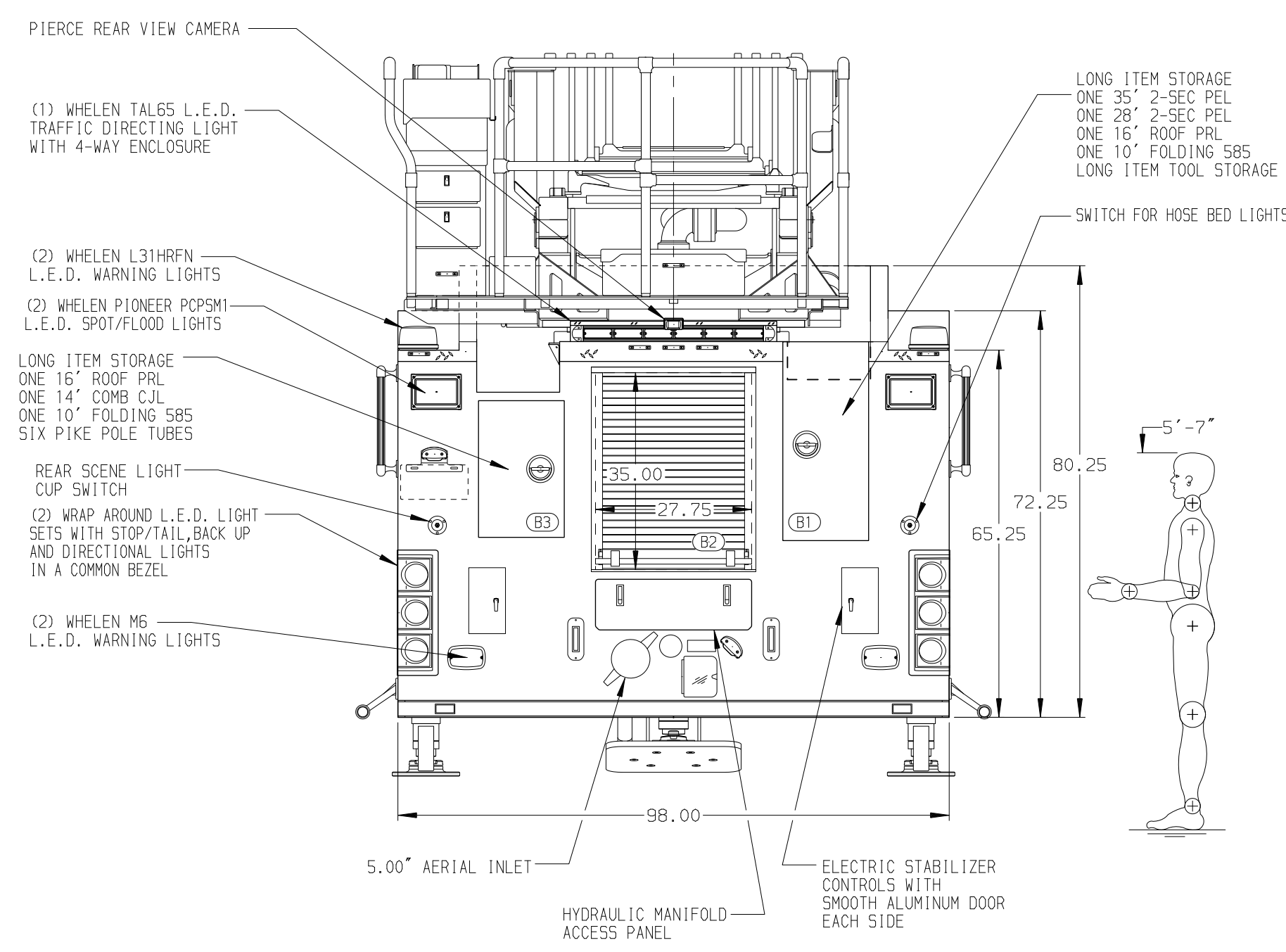
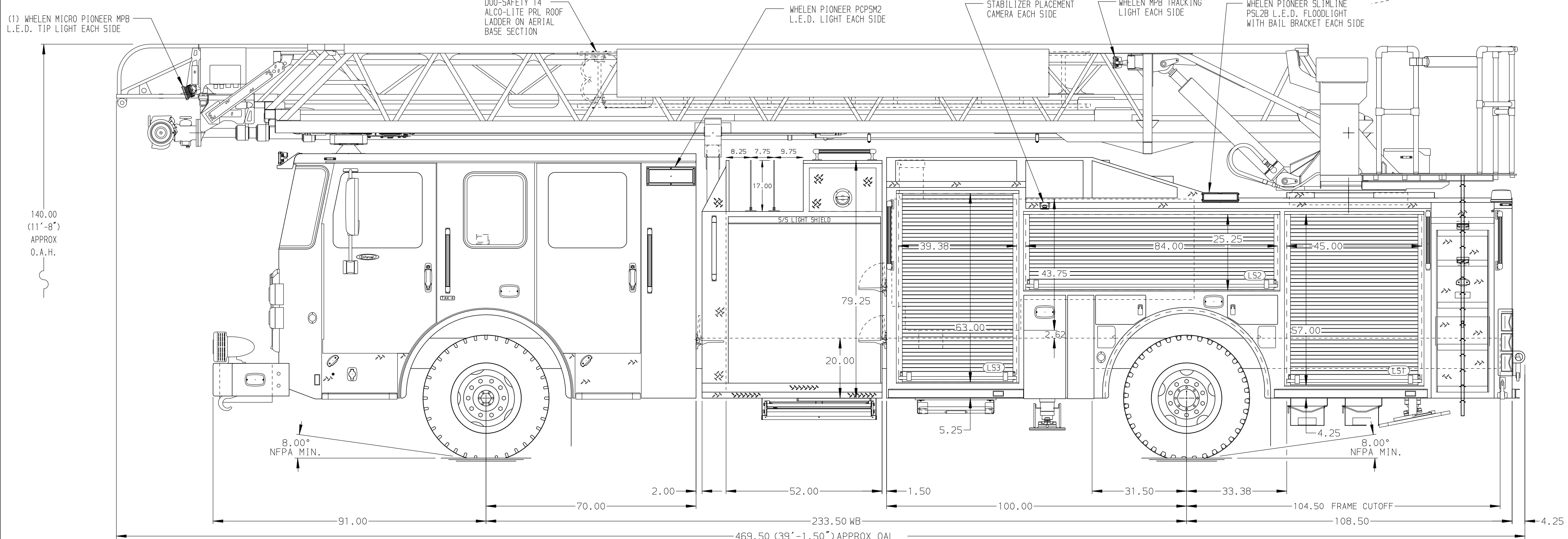


<b>BODY</b> 107' ASL Aluminum Body COMPT, LEFT SIDE FRONT Full Height RollUp Forward COMPT, LEFT SIDE REAR Full Height RollUp Rearward COMPT, RIGHT SIDE FRONT Full Height RollUp Forward COMPT, RIGHT SIDE REAR Full Height RollUp Rearward	<b>WATER TANK</b> 500 Gallon Poly Water Tank Foam System Foam System Not Required Foam Cell Foam Cell Not Required
---	---



<b>CHASSIS</b> Enforcer Chassis <b>ENGINE</b> 525 HP Cummins X12 Engine	<b>CAB</b> 7000 Enforcer Cab <b>BUMPER</b> 22\" Extended Painted Steel	<b>AXLE, FRONT, CUSTOM</b> 22,800 Lb TAK-4 Axle <b>AXLE, REAR</b> 33,500 Lb Meritor Axle	<b>TRANSMISSION</b> Allison 6th Gen, 4000 EV5 P	<b>PUMPHOUSE</b> 52\" Control Zone Side Mount <b>PUMP</b> 2000 GPM Waterous CSU	<b>CROSSLAYS, 1.50\"</b> (2) 1.50\" Standard Capacity <b>CROSSLAYS, 2.50\"</b> (1) 2.50\" Standard Capacity	<b>SPEEDLAYS</b> Speedlays Not Required <b>GENERATOR</b> Generator Not Required	-
--	---	---	--	--	--	--	---

<b>Pierce MANUFACTURING INC.</b>		JOB NO.	40621
		SCALE	1:24
		DATE	
TITLE		DRAWN BY	LWE
107' ASCENDANT AERIAL LADDER AND BODY ASSEMBLY		CHECKED BY	SMA
500 GALLON WATER TANK		SHEET SIZE	D
MOBILE FIRE & RESCUE		SHEET NO.	1 OF 2
MOBILE, AL			
DWC NO.			
40621AD-SH1			

**NOTE**  
DIMENSIONS SHOWN ARE APPROXIMATE AND ARE SUBJECT TO MINOR DEVIATIONS AS MAY OCCUR OR BE NECESSARY IN CONSTRUCTION. MINOR DETAILS NOT SHOWN.

- ONE 1.50 OUTLET WITH 2.00 PIPING AND SWIVEL LOCATED IN CENTER BUMPER TRAY
- SHOULDER RECEPTACLE WITH KUSSMAUL SUPER AUTO-EJECT LOCATED ON DRIVER SIDE STEPWELL
- AIR INLET WITH DISCONNECT COUPLING IN THE DRIVER SIDE STEPWELL
- BATTERY CHARGER LOCATED IN COMPARTMENT PER SHOP ORDER
- BATTERY CHARGE INDICATOR LOCATED PER ORDER
- RUNG LIGHTING ON AERIAL LADDER
- 2-WAY INTERCOM SYSTEM BETWEEN AERIAL TIP AND TURNABLE
- NON-RAISED AERIAL PEDESTAL
- LIFTING EYE ROPE RESCUE ATTACHMENT AT AERIAL TIP
- 1500 GPM HIGH FLOW WATERWAY

MAXIMUM O.A.H. 140.00"

REV	DATE	BY	CH	ENFORCER
12	JAN24	LWE	SMA	