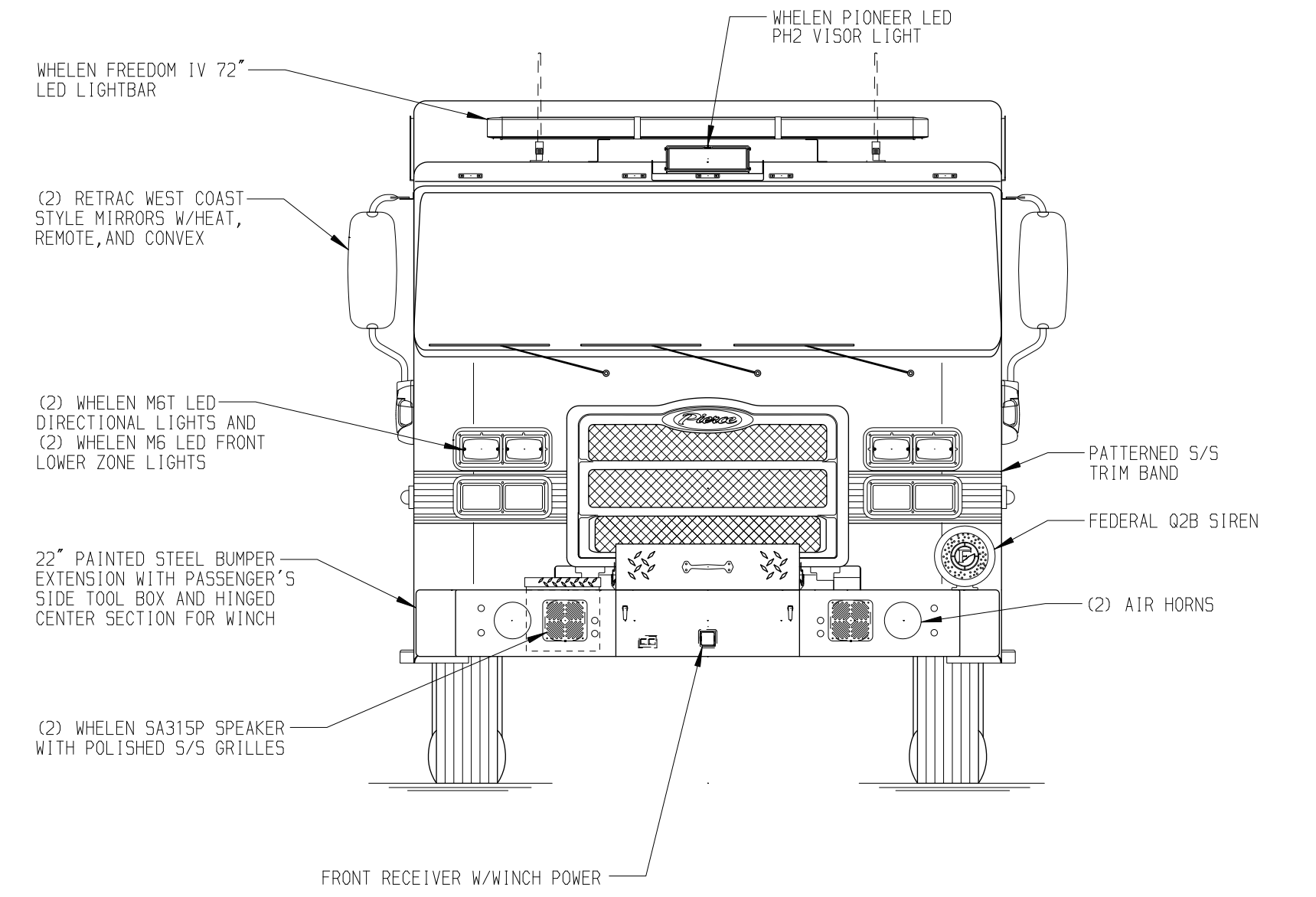
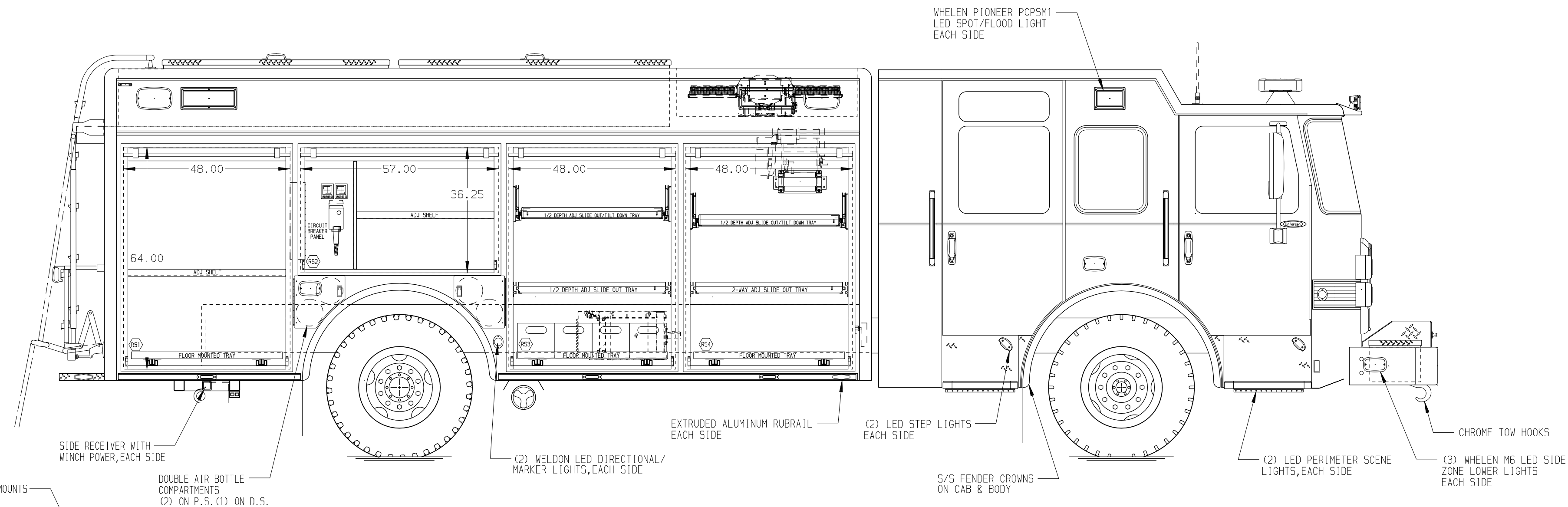


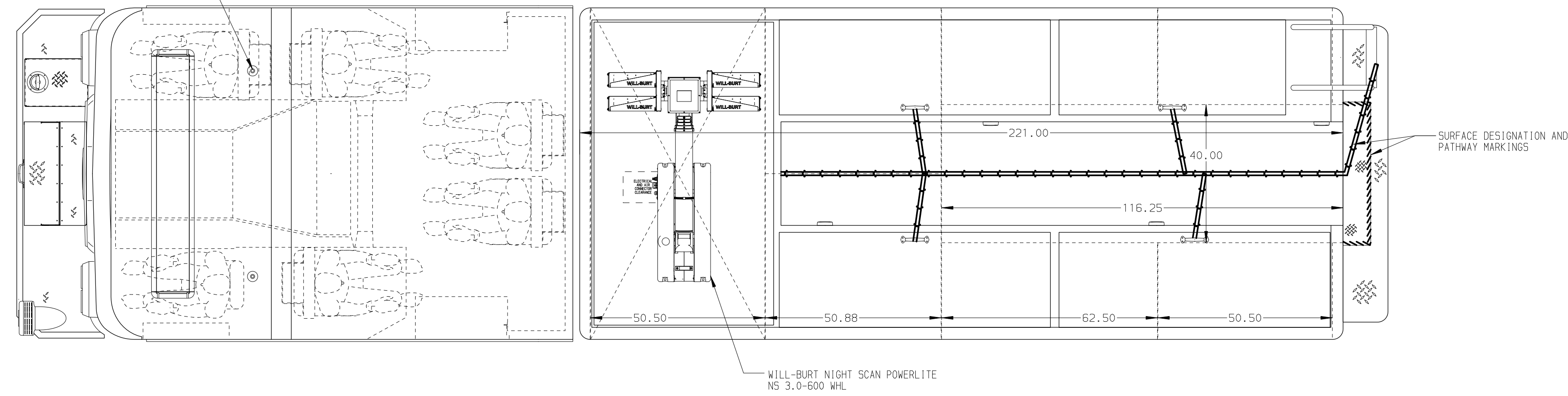
PASSENGER'S SIDE COMPARTMENTS CONTAIN THE FOLLOWING:

- COMPARTMENT P1 CONTAINS:**
 - (1) FLOOR MOUNTED TRAY
 - (1) STD DEPTH ADJ SHELF
- COMPARTMENT P2 CONTAINS:**
 - (1) VERTICAL COMPARTMENT DIVIDER
 - (1) CIRCUIT BREAKER PANEL
 - (1) NIGHT SCAN CONTROLLER
 - (1) GENERATOR METER PANEL
 - (1) STD DEPTH ADJ SHELF
- COMPARTMENT P3 CONTAINS:**
 - (1) 1/2 DEPTH ADJ SLIDE OUT/TILT TRAY
 - (1) FLOOR MOUNTED TRAY
 - (1) REAR WALL COMPARTMENT DIVIDER
 - (1) 1/2 DEPTH ADJ SLIDE OUT TRAY
 - (4) POLY TOOL BOXES
- COMPARTMENT P4 CONTAINS:**
 - (1) 1/2 DEPTH ADJ SLIDE OUT/TILT TRAY
 - (1) FLOOR MOUNTED TRAY
 - (1) CAB LIFT CONTROLLER
 - (1) 2-WAY ADJ SLIDE OUT TRAY
 - (1) ELECTRIC CABLE REEL W/200' OF 10/3 YELLOW CORD & CAPTIVE ROLLER



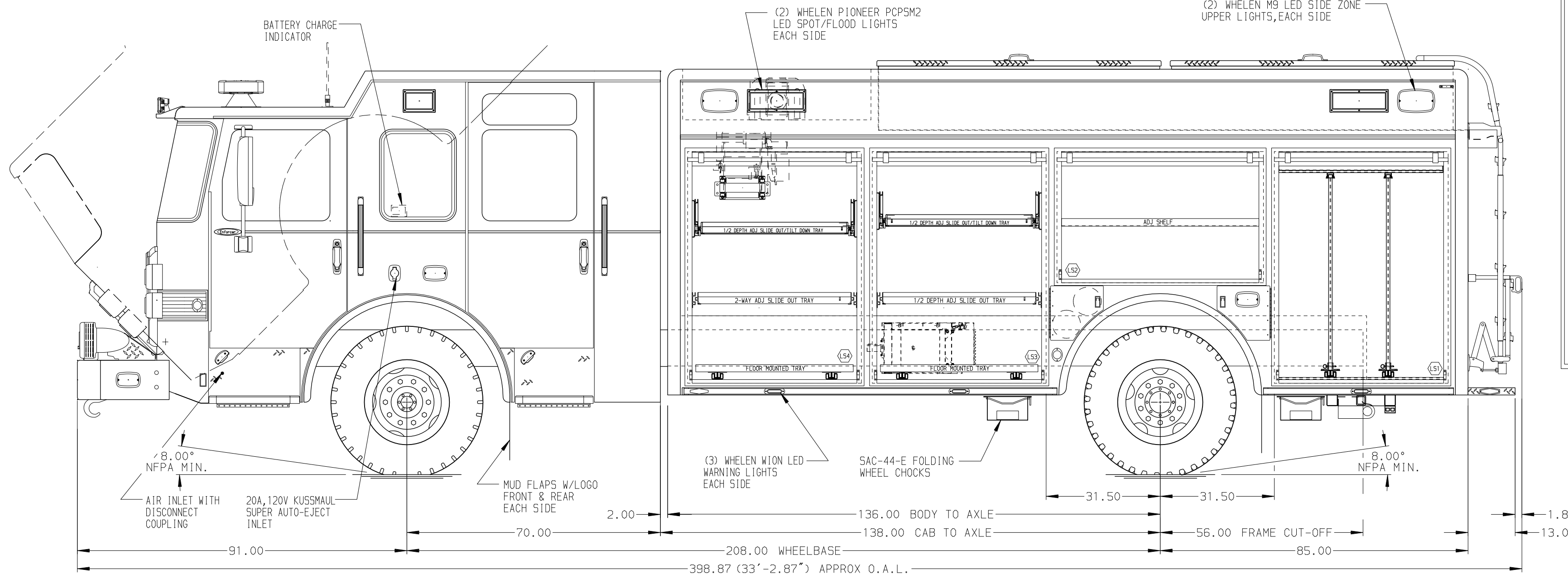
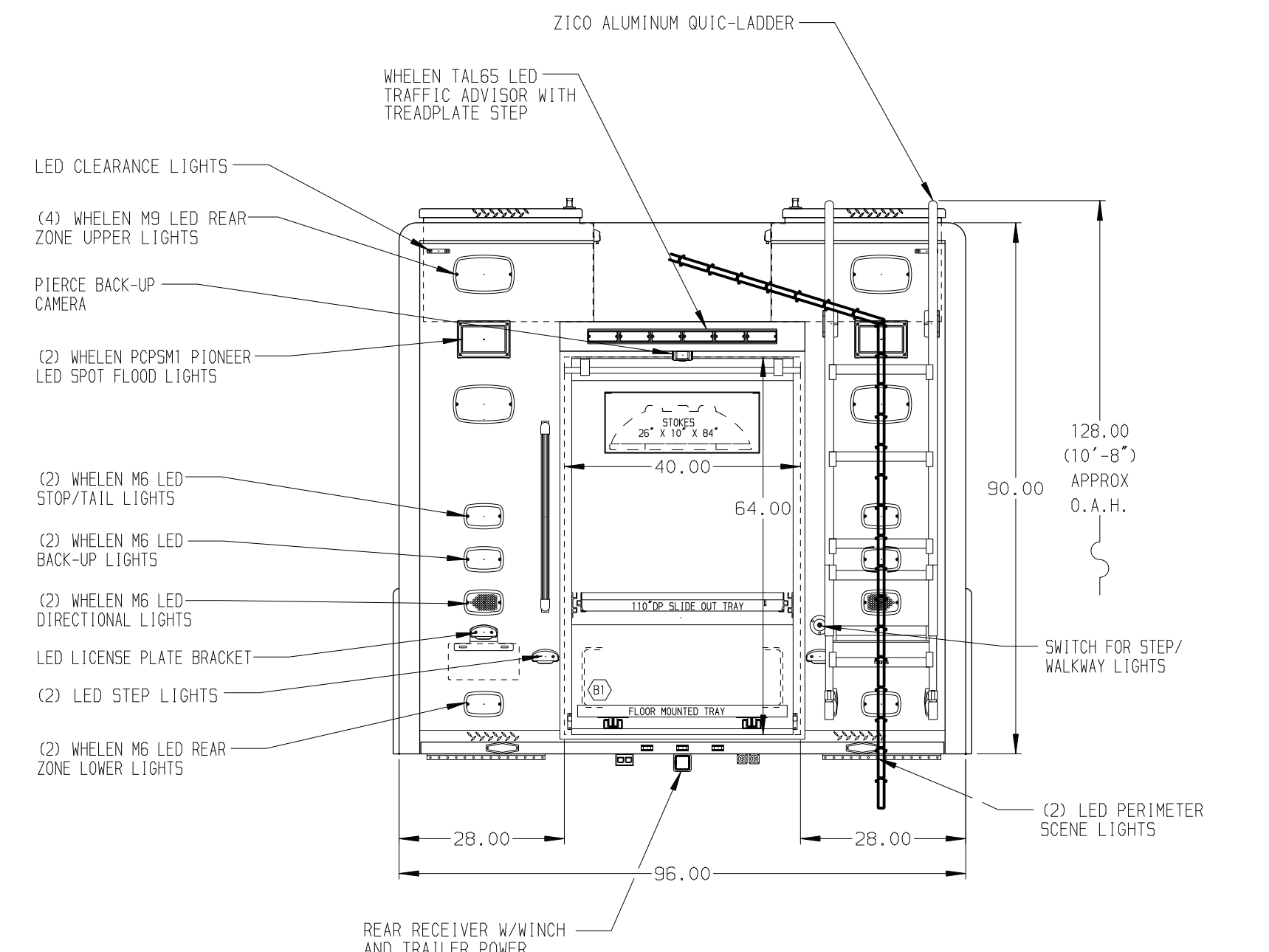
REAR COMPARTMENT CONTAINS THE FOLLOWING:

- COMPARTMENT R1 CONTAINS:**
 - (1) 110" DP SLIDE OUT TRAY
 - (1) FLOOR MOUNTED RACK
 - (1) STOKES BASKET RACK



DRIVER'S SIDE COMPARTMENTS CONTAIN THE FOLLOWING:

- COMPARTMENT D1 CONTAINS:**
 - (2) STD DEPTH ADJ SLIDE OUT TOOLBOARDS
- COMPARTMENT D2 CONTAINS:**
 - (1) STD DEPTH ADJ SHELF
- COMPARTMENT D3 CONTAINS:**
 - (1) 1/2 DEPTH ADJ SLIDE OUT/TILT TRAY
 - (1) 1/2 DEPTH ADJ SLIDE OUT TRAY
 - (1) FLOOR MOUNTED TRAY
 - (1) REAR WALL COMPARTMENT DIVIDER
- COMPARTMENT D4 CONTAINS:**
 - (1) 1/2 DEPTH ADJ SLIDE OUT/TILT TRAY
 - (1) 2-WAY ADJ SLIDE OUT TRAY
 - (1) FLOOR MOUNTED TRAY
 - (1) ELECTRIC CABLE REEL W/200' OF 10/3 YELLOW CORD & CAPTIVE ROLLER



NOTE:
 DIMENSIONS SHOWN ARE APPROXIMATE AND ARE SUBJECT TO MINOR DEVIATIONS AS MAY OCCUR OR BE NECESSARY IN CONSTRUCTION. MINOR DETAILS NOT SHOWN.

- NOTES:**
- WARN #9,000 PORTABLE WINCH
 - FLOOR IN CAB AND CREW CAB TO BE PADDED RUBBER
 - ELASTIC PULL STRAPS ON ALL BODY ROLL UP DOORS
 - PIERCE LED LIGHT STRIPS IN ALL BODY AND HATCH COMPARTMENTS
 - ONAN 25KW SINGLE PHASE PTO DRIVEN GENERATOR WITH SPLASH GUARD LOCATED BETWEEN THE FRAME RAILS
 - KUSSMAUL BATTERY CHARGER LOCATED BEHIND THE DRIVER'S SEAT
 - S/5 GUARDS ON ALL BODY ROLL-UP DOORS

(SIDE ROLL & FRONTAL IMPACT PROTECTION)

CUSTOMER APPROVAL

APPROVED BY:	
DATE:	

		JOB NO.	40723
		SCALE	DATE
TITLE HEAVY DUTY RESCUE NON-WALKIN PIERCE STOCK	CHASSIS DATA MAKE PIERCE MODEL EN7010	DRAWN BY	23MAY23
		CHECKED BY	01JUN23
DWG NO.	40723AD	SHEET SIZE	SHEET NO.
		D	1 OF 1

CLEAR DOOR WIDTH KEY

AMOR ROLL UP DOORS:	-2 1/4"
CORTITE ROLL UP DOORS:	-2 1/2"
PIERCE DOUBLE LIP DOORS:	-4 1/4"
PIERCE LIFT-UP LAP DOORS:	-1 1/2"

(EX: 60" F-F - 2 1/4" = 57 3/4" CLEAR)
 (F-F) = FRAME TO FRAME