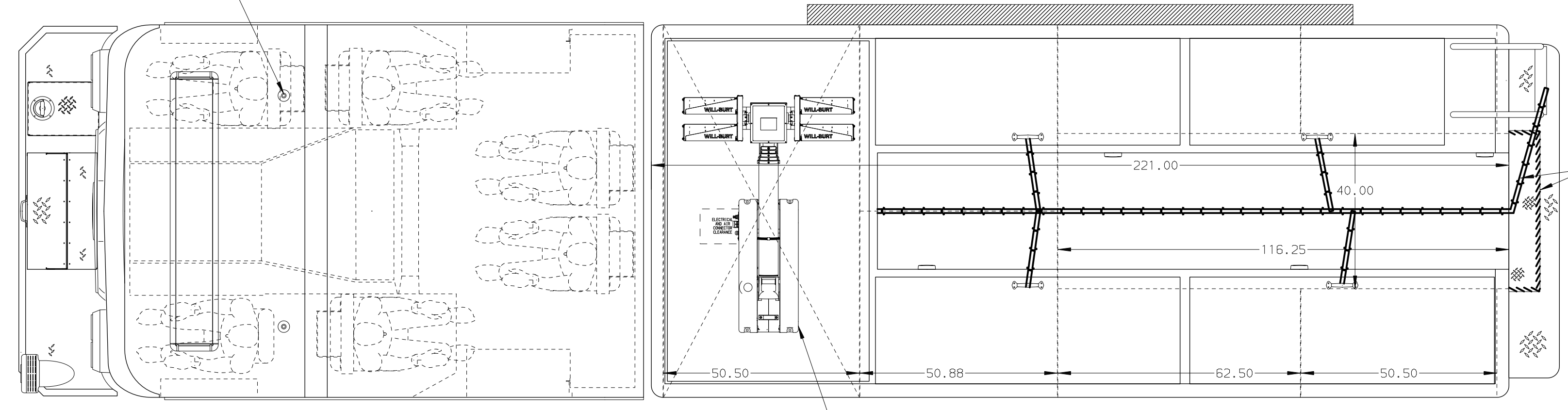
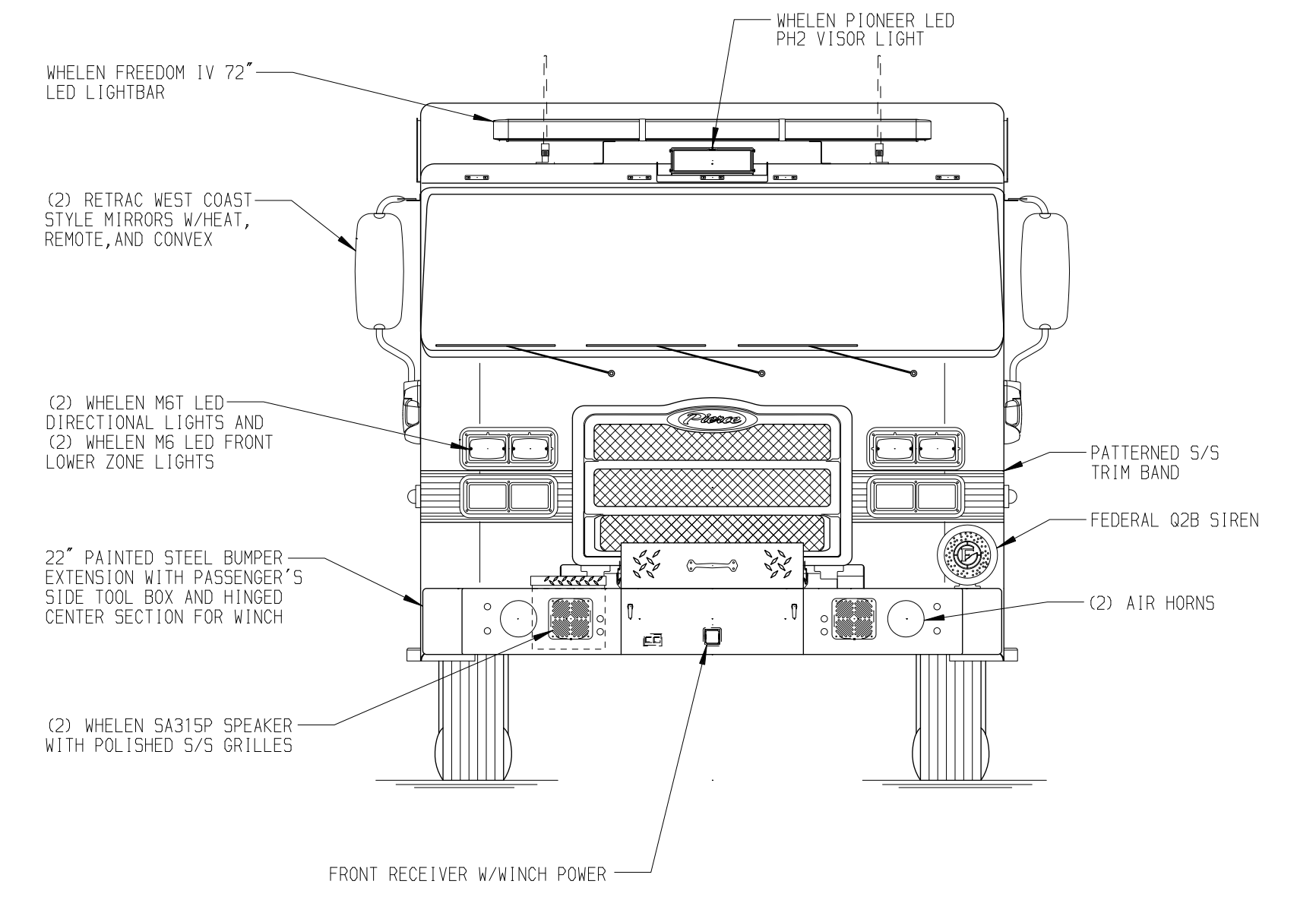
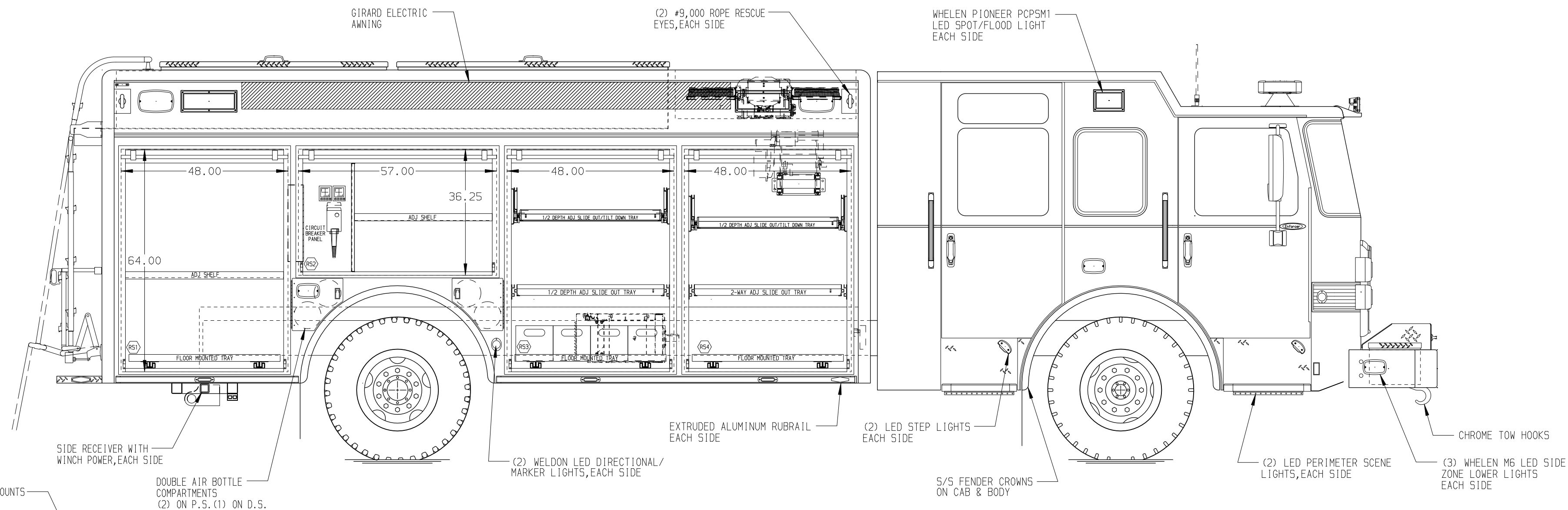


PASSENGER'S SIDE COMPARTMENTS CONTAIN THE FOLLOWING:

- COMPARTMENT P1 CONTAINS:**
 - (1) FLOOR MOUNTED TRAY
 - (1) STD DEPTH ADJ SHELF
- COMPARTMENT P2 CONTAINS:**
 - (1) VERTICAL COMPARTMENT DIVIDER
 - (1) CIRCUIT BREAKER PANEL
 - (1) NIGHT SCAN CONTROLLER
 - (1) GENERATOR METER PANEL
 - (1) STD DEPTH ADJ SHELF
- COMPARTMENT P3 CONTAINS:**
 - (1) 1/2 DEPTH ADJ SLIDE OUT/TILT TRAY
 - (1) FLOOR MOUNTED TRAY
 - (1) REAR WALL COMPARTMENT DIVIDER
 - (1) 1/2 DEPTH ADJ SLIDE OUT TRAY
 - (4) POLY TOOL BOXES
- COMPARTMENT P4 CONTAINS:**
 - (1) 1/2 DEPTH ADJ SLIDE OUT/TILT TRAY
 - (1) FLOOR MOUNTED TRAY
 - (1) CAB LIFT CONTROLLER
 - (1) 2-WAY ADJ SLIDE OUT TRAY
 - (1) ELECTRIC CABLE REEL W/200' OF 10/3 YELLOW CORD & CAPTIVE ROLLER

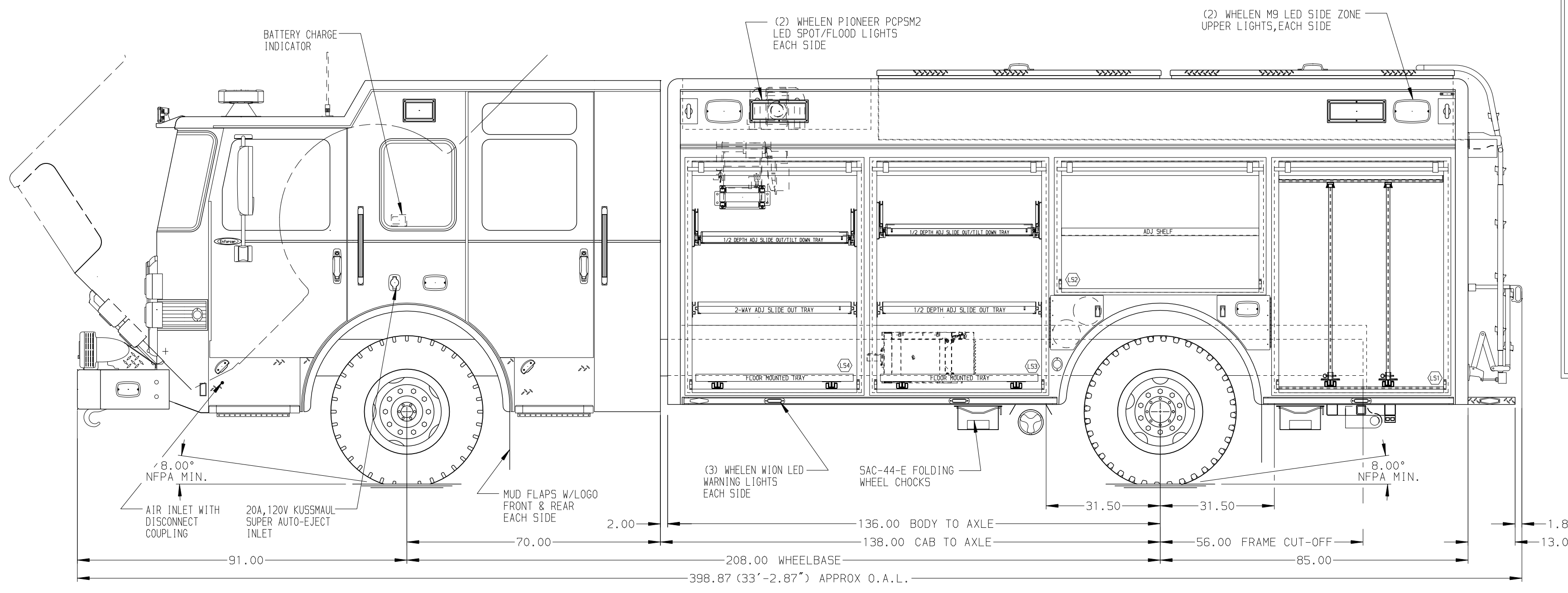
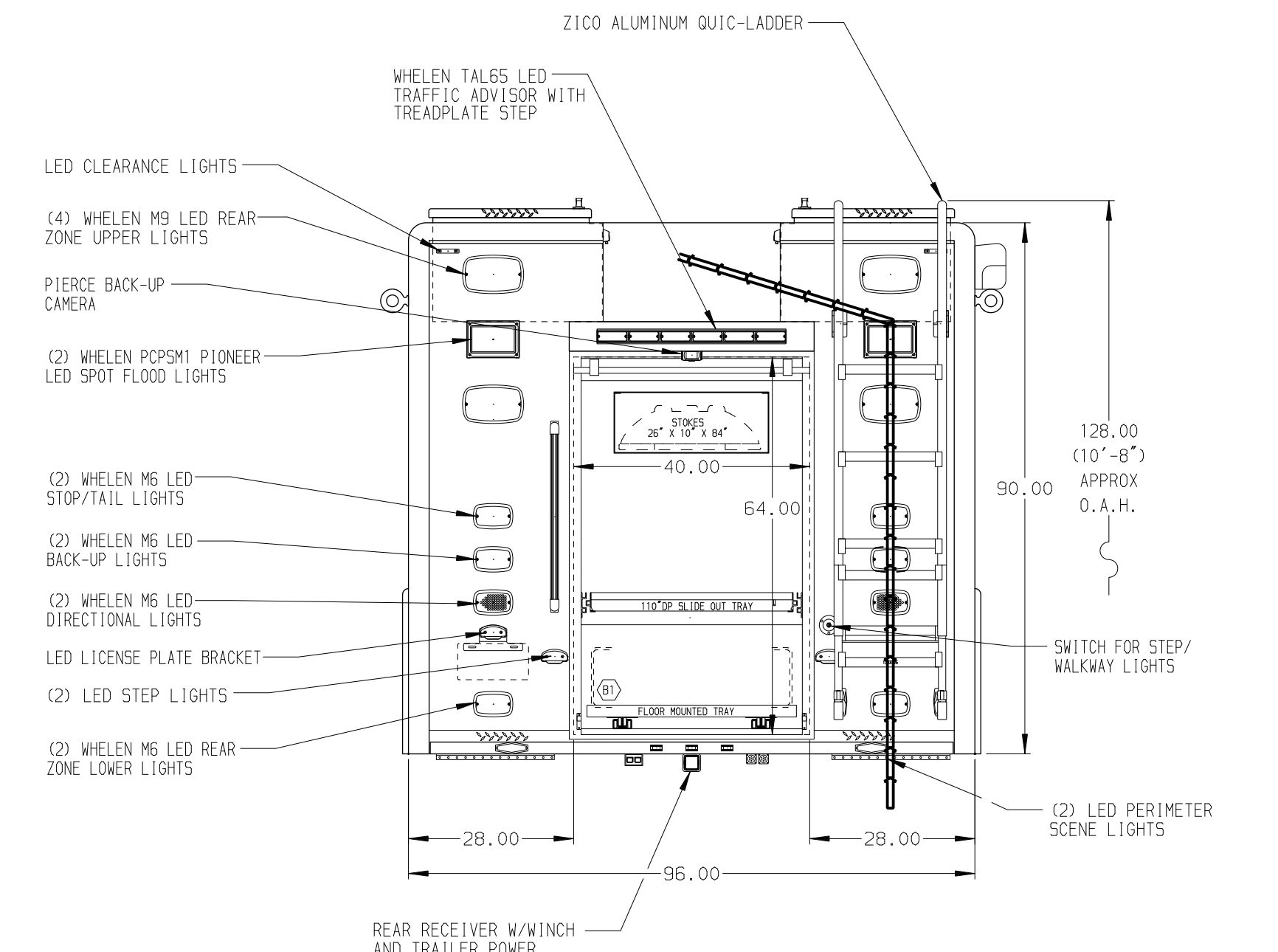


REAR COMPARTMENT CONTAINS THE FOLLOWING:

- COMPARTMENT R1 CONTAINS:**
 - (1) 110" DP SLIDE OUT TRAY
 - (1) FLOOR MOUNTED RACK
 - (1) STOKES BASKET RACK

DRIVER'S SIDE COMPARTMENTS CONTAIN THE FOLLOWING:

- COMPARTMENT D1 CONTAINS:**
 - (2) STD DEPTH ADJ SLIDE OUT TOOLBOARDS
- COMPARTMENT D2 CONTAINS:**
 - (1) STD DEPTH ADJ SHELF
- COMPARTMENT D3 CONTAINS:**
 - (1) 1/2 DEPTH ADJ SLIDE OUT/TILT TRAY
 - (1) 1/2 DEPTH ADJ SLIDE OUT TRAY
 - (1) FLOOR MOUNTED TRAY
 - (1) REAR WALL COMPARTMENT DIVIDER
- COMPARTMENT D4 CONTAINS:**
 - (1) 1/2 DEPTH ADJ SLIDE OUT/TILT TRAY
 - (1) 2-WAY ADJ SLIDE OUT TRAY
 - (1) FLOOR MOUNTED TRAY
 - (1) ELECTRIC CABLE REEL W/200' OF 10/3 YELLOW CORD & CAPTIVE ROLLER



NOTE
 DIMENSIONS SHOWN ARE APPROXIMATE AND ARE SUBJECT TO MINOR DEVIATIONS AS MAY OCCUR OR BE NECESSARY IN CONSTRUCTION. MINOR DETAILS NOT SHOWN.

- NOTES:**
1. WARN #9,000 PORTABLE WINCH
 2. FLOOR IN CAB AND CREW CAB TO BE PADDED RUBBER
 3. ELASTIC PULL STRAPS ON ALL BODY ROLL UP DOORS
 4. PIERCE LED LIGHT STRIPS IN ALL BODY AND HATCH COMPARTMENTS
 5. ONAN 25KW SINGLE PHASE PTO DRIVEN GENERATOR WITH SPLASH GUARD LOCATED BETWEEN THE FRAME RAILS
 6. IOTA 75 AMP BATTERY CHARGER LOCATED BEHIND THE DRIVER'S SEAT
 7. S/S GUARDS ON ALL BODY ROLL-UP DOORS

(SIDE ROLL & FRONTAL IMPACT PROTECTION)

CLEAR DOOR WIDTH KEY

AMOR ROLL UP DOORS:	-2 1/4"
CURTAIN ROLL UP DOORS:	-2 1/2"
PIERCE DOUBLE LIP DOORS:	-4 1/4"
PIERCE LIFT-UP LAP DOORS:	-1 1/2"

(EX: 60" F-F - 2 1/4" = 57 3/4" CLEAR)
 (F-F) = FRAME TO FRAME

CUSTOMER APPROVAL

APPROVED BY: _____
 DATE: _____

CHASSIS DATA	TITLE	HEAVY DUTY RESCUE NON-WALKIN
MAKE	FOR	PIERCE STOCK
MODEL	DWG NO.	40724AD
EN7010		

Pierce MANUFACTURING INC.		JOB NO.	40724
		SCALE	DATE
		DRAWN BY	27MAR23
		CHECKED BY	27MAR23
		SHEET SIZE	SHEET NO.
		D	1 OF 1