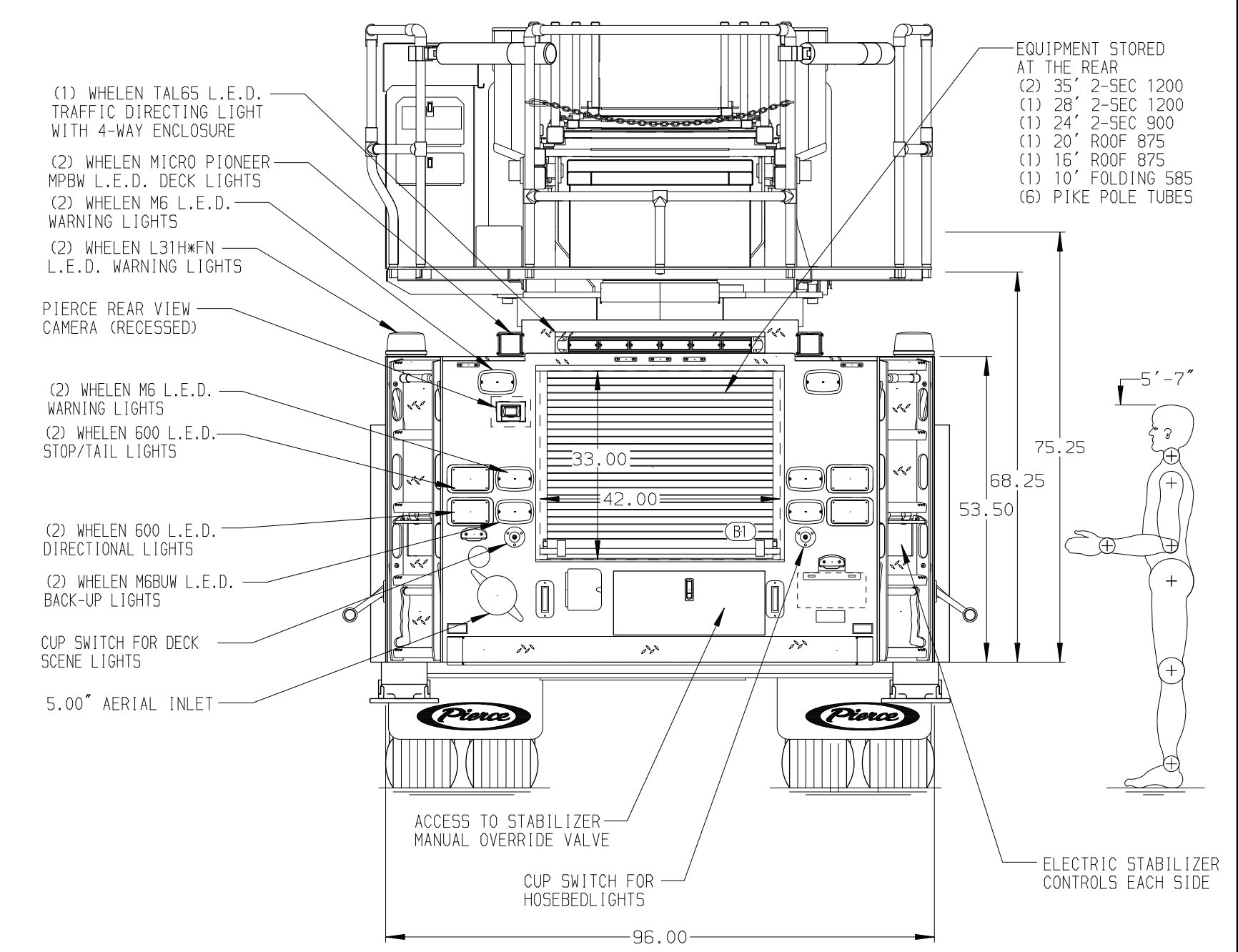
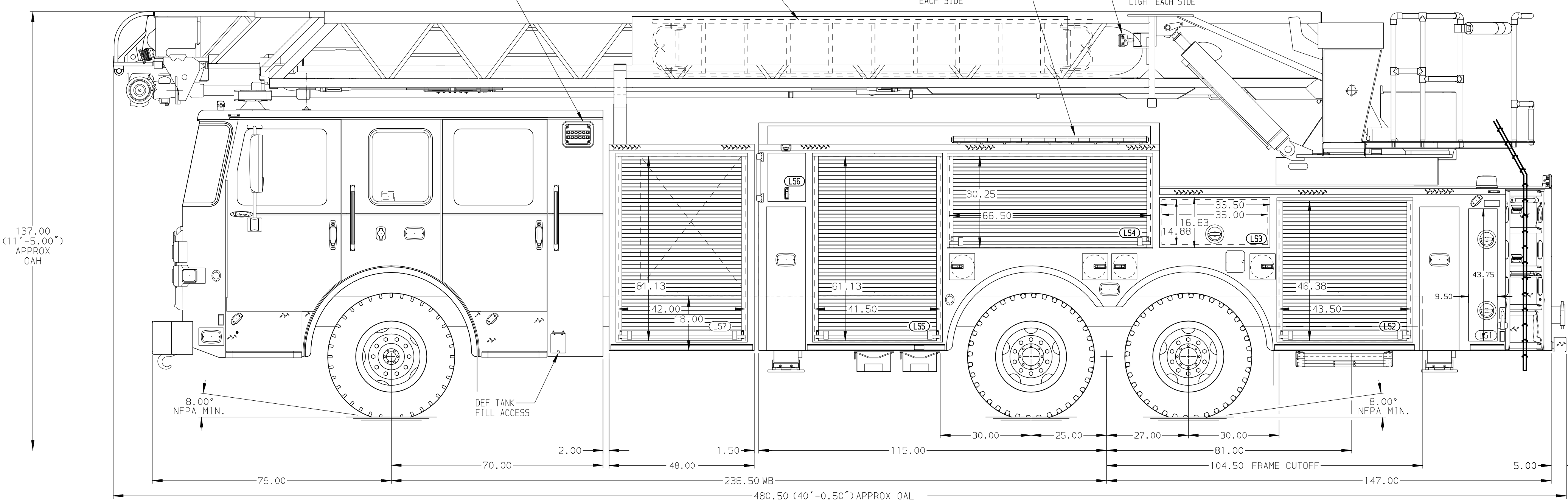


BODY
 100' LSL, Tandem Axle Aluminum Body
COMPT, LEFT SIDE FRONT
 FH/FD RollUp Forward w/o Chute
COMPT, LEFT SIDE REAR
 FH/FD RollUp and Lift-up Rearward
COMPT, RIGHT SIDE FRONT
 FH/FD RollUp Forward w/o Chute
COMPT, RIGHT SIDE REAR
 FH/FD RollUp and Lift-up Rearward



CHASSIS Enforcer Chassis ENGINE 510 HP Paccor MX13 Engine	CAB 7000 Enforcer Cab BUMPER 10" Extended Painted Steel	AXLE, FRONT, CUSTOM 21,500 Lb Meritor Axle AXLE, REAR 48,000 Lb Meritor Axle	TRANSMISSION Allison 6th Gen, 4000 EVS P GENERATOR Generator Not Required	COMPARTMENT-NO PUMP 48" Wide w/RollUp Door	SAFETY Side Roll and Frontal Impact Protection
--	--	---	--	--	--

NOTE DIMENSIONS SHOWN ARE APPROXIMATE AND ARE SUBJECT TO MINOR DEVIATIONS AS MAY OCCUR OR BE NECESSARY IN CONSTRUCTION. MINOR DETAILS NOT SHOWN.	1. 14.00" AERIAL LIMITED RETRACTION	11. ONE ALUMINUM SWING-OUT TOOLBOARD LOCATED IN COMPARTMENT PER ORDER
	2. SHORELINE RECEPTACLE WITH KUSSMAUL AUTO-EJECT LOCATED ON DRIVER SIDE OF THE CAB	12. ONE ADJUSTABLE TOOLBOARD ADDED TO SLIDE-OUT TRAY PER ORDER
3. AIR INLET WITH DISCONNECT COUPLING IN THE DRIVER SIDE STEPWELL FORWARD POSITION	13. 5.00" RAISED AERIAL PEDESTAL	14. LIFTING EYE ROPE RESCUE ATTACHMENT AT AERIAL TIP
4. BATTERY CHARGER LOCATED BEHIND DRIVER SEAT	15. TRIDENT STEPS AT AERIAL DEVICE	16. TECNO RING LIGHTING AT AERIAL DEVICE
5. BATTERY CHARGE INDICATOR DISPLAYED THROUGH WINDOW BEHIND DRIVER SEAT	17. DC POWER TO AERIAL TIP	18. FIRE RESEARCH 2-WAY INTERCOM
6. FIVE ADJUSTABLE SHELVES LOCATED IN COMPARTMENTS PER ORDER		
7. FOUR FLOOR MOUNTED SLIDE-OUT TRAYS LOCATED IN COMPARTMENTS PER ORDER		
8. DUAL LIGHT STRIPS LOCATED IN COMPARTMENTS PER ORDER		
9. THREE P25 L.E.D. LIGHTS LOCATED IN COMPARTMENTS PER ORDER		
10. ONE SLIDE-OUT 2-WAY TRAY LOCATED IN COMPARTMENT PER ORDER		

		JOB NO.	40734
		SCALE	DATE
Pierce MANUFACTURING INC.		1:24	
CHASSIS DATA TITLE 100' LSL AERIAL LADDER AND BODY ASSEMBLY FOR PIERCE FIELD UNIT APPLETON, WI DWG NO. 40734AD	DRAWN BY	ANZ	25APR23
	CHECKED BY	NAK	27APR23
REV	DATE	BY	CH
12FEB24	ANZ	THS	MAKE
04JAN24	ANZ	THS	PIERCE
04MAY23	ANZ	THS	MODEL
			ENFORCER
		SHEET SIZE	D
		SHEET NO.	1 OF 1