

**PUMPER BODY**

Medium Aluminum 2nd Gen Pumper

**CHASSIS**

Enforcer Chassis

**CHASSIS AXLE, FRONT, CUSTOM**

18,000 Lb Dana Axle

**AXLE, REAR**

27,000 Lb Dana Axle

**ENGINE**

450 HP Cummins L9 Engine

**TRANSMISSION**

Allison 6th Gen, 3000 EVS P

**BUMPER**

19" Extended Painted Steel

**CAB**

7000 Enforcer Cab

**BODY WATER TANK**

10000 Gallon New York Style Water Tank

**COMPT, PUMPER, REAR**

30.75" FF RollUp Rear Compt

**COMPT, PUMPER, LEFT SIDE**

152" RollUp Full Height Front & Rear FDLR

**COMPT, PUMPER, RIGHT SIDE**

152" RollUp Low FDLR

**FIRE SUPPRESSION PUMPHOUSE**

45" Control Zone Side Mount

**PUMP**

1500 GPM Waterous CSU

**CROSSLAYS, 1.50"**

(2) 1.50" Standard Capacity

**CROSSLAYS, 2.50"**

2.50" Crosslay Not Required

**SPEEDLAYS**

Speedlays Not Required

**GENERATOR**

Generator Not Required

**Foam System**

Not Required

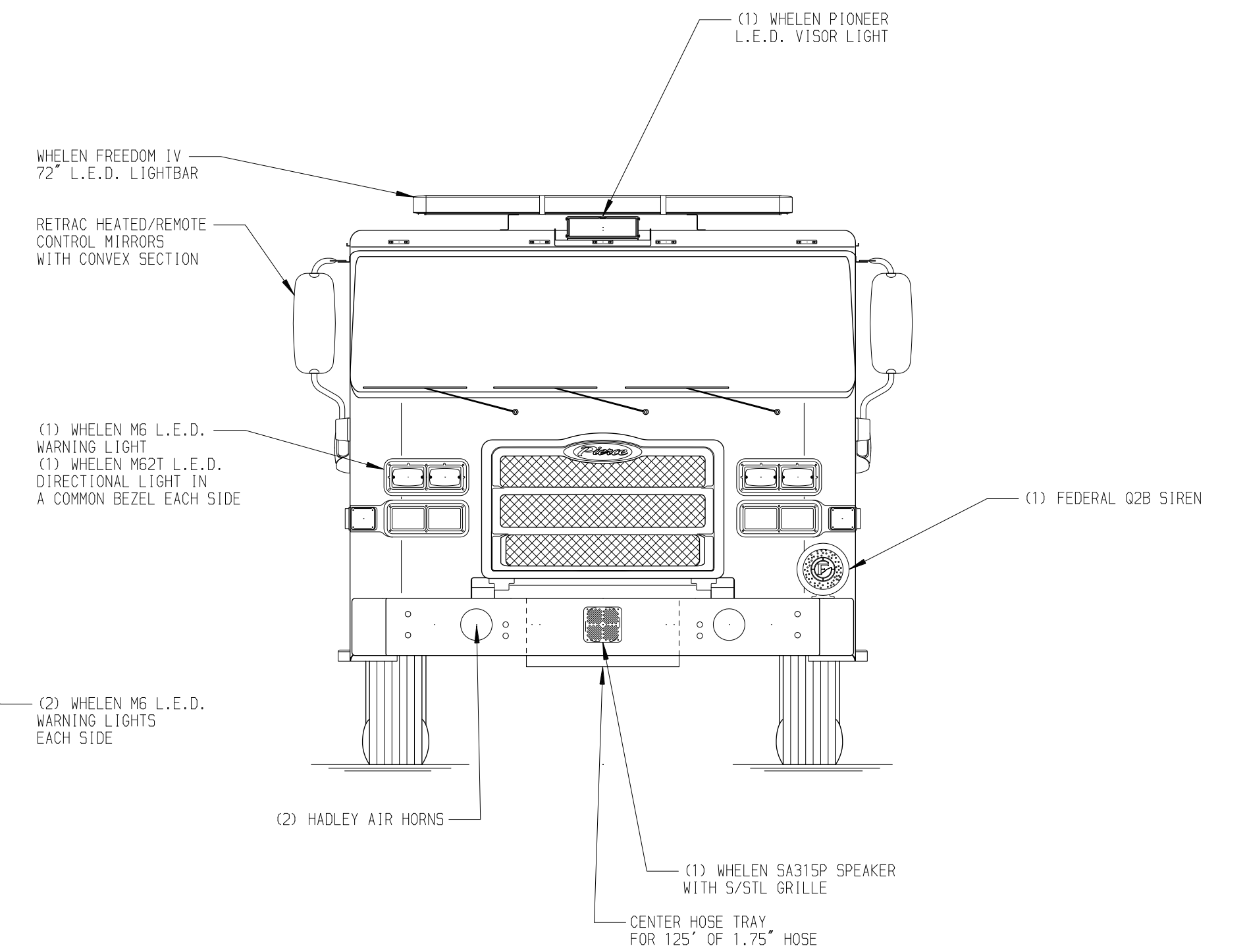
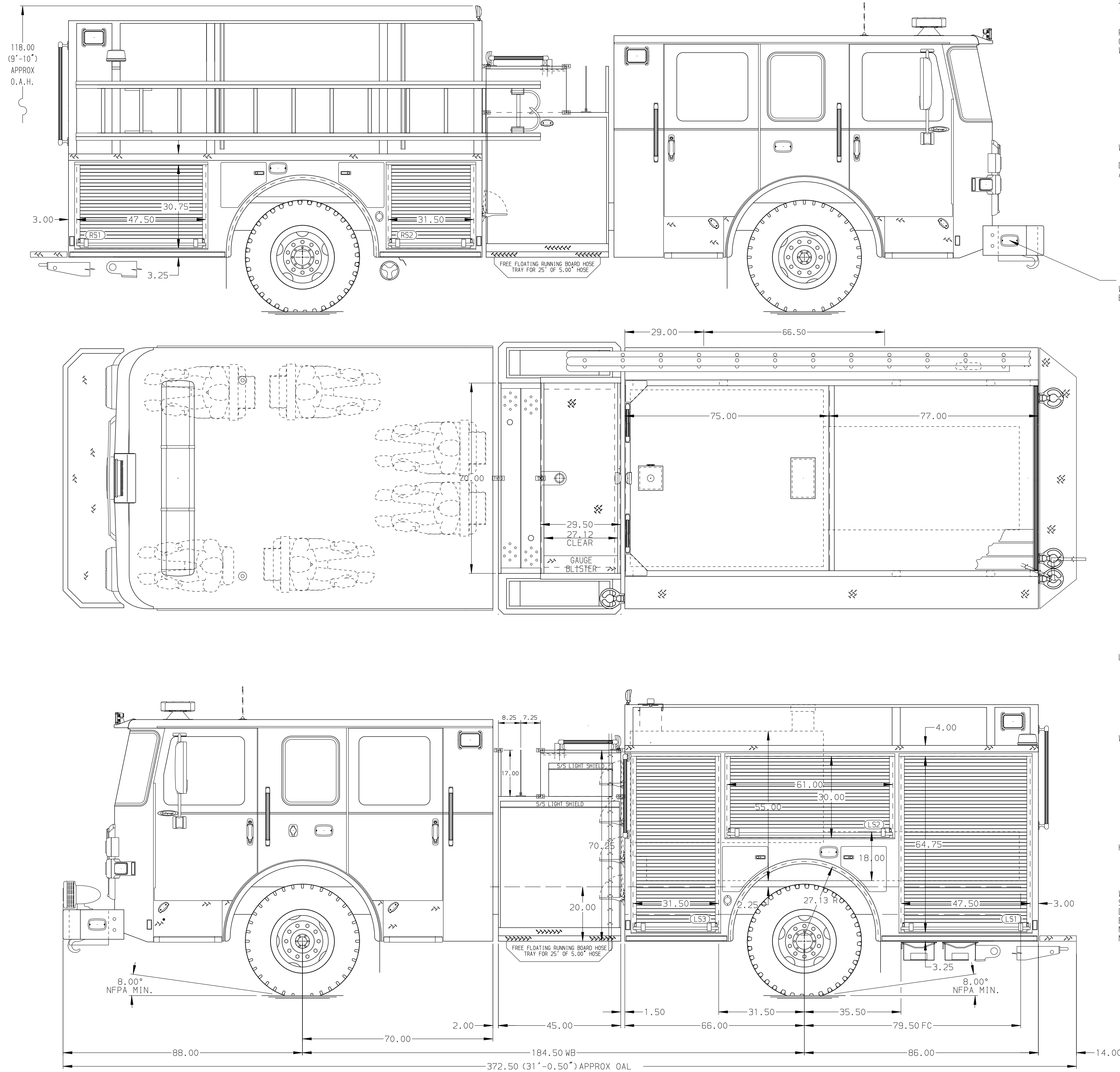
**Foam Cell**

20 Gallon Foam Cell, Not Reduced

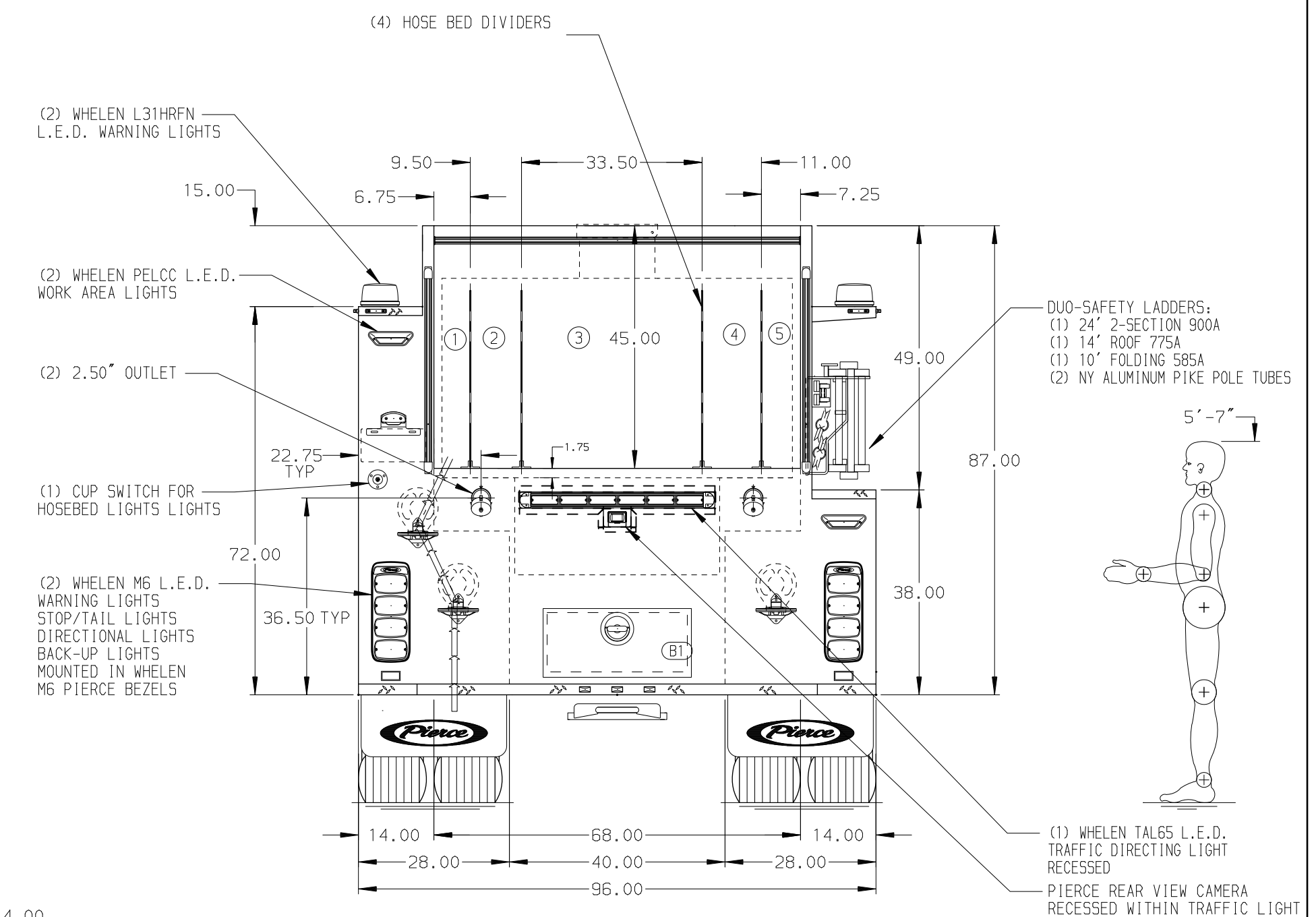
Not Required, Side Roll and Frontal Impact Protection

**NOTE**  
DIMENSIONS SHOWN ARE APPROXIMATE AND ARE SUBJECT TO MINOR DEVIATIONS AS MAY OCCUR OR BE NECESSARY IN CONSTRUCTION. MINOR DETAILS NOT SHOWN.

- ONE 1.50" OUTLET WITH 2.00" PIPING AND SWIVEL LOCATED IN CENTER BUMPER TRAY
- SHORELINE RECEPTACLE WITH KUSSMAUL SUPER AUTO-EJECT LOCATED ON DRIVER SIDE OF THE CAB
- AIR INLET WITH DISCONNECT COUPLING IN THE DRIVER SIDE STEPWELL
- BATTERY CHARGER LOCATED PER ORDER
- BATTERY CHARGE INDICATOR LOCATED ON THE DRIVER SIDE SEAT RISER
- ADJUSTABLE SHIELDS LOCATED PER ORDER
- ONE FLOOR MOUNTED SLIDE-OUT TRAY LOCATED PER ORDER
- PLUMBING FOR FUTURE FOAM SYSTEM, HUSKY 3/12



HOSEBED CAPACITY	
<b>BED 1</b>	400' OF 1.75" D.J. POLY HOSE
<b>BED 2</b>	200' OF 2.50" D.J. POLY HOSE
<b>BED 3</b>	1000' OF 5.00" D.J. POLY HOSE
<b>BED 4</b>	200' OF 2.50" D.J. POLY HOSE
<b>BED 5</b>	250' OF 1.75" D.J. POLY HOSE



**CUSTOMER APPROVAL**

APPROVED BY: \_\_\_\_\_  
DATE: \_\_\_\_\_



JOB NO. 40736

SCALE 1:24 DATE

CHASSIS DATA	TITLE	Pierce Pumper Approval Drawing
MAKE	FOR	Pierce Field Unit
PIERCE		
MODEL	DWG NO.	40736AD
Enforcer		

DRAWN BY	WRE	11MAY23
CHECKED BY	THS	11MAY23
SHEET SIZE	D	SHEET NO. 1 OF 1

SHEET NO. 1 OF 1