

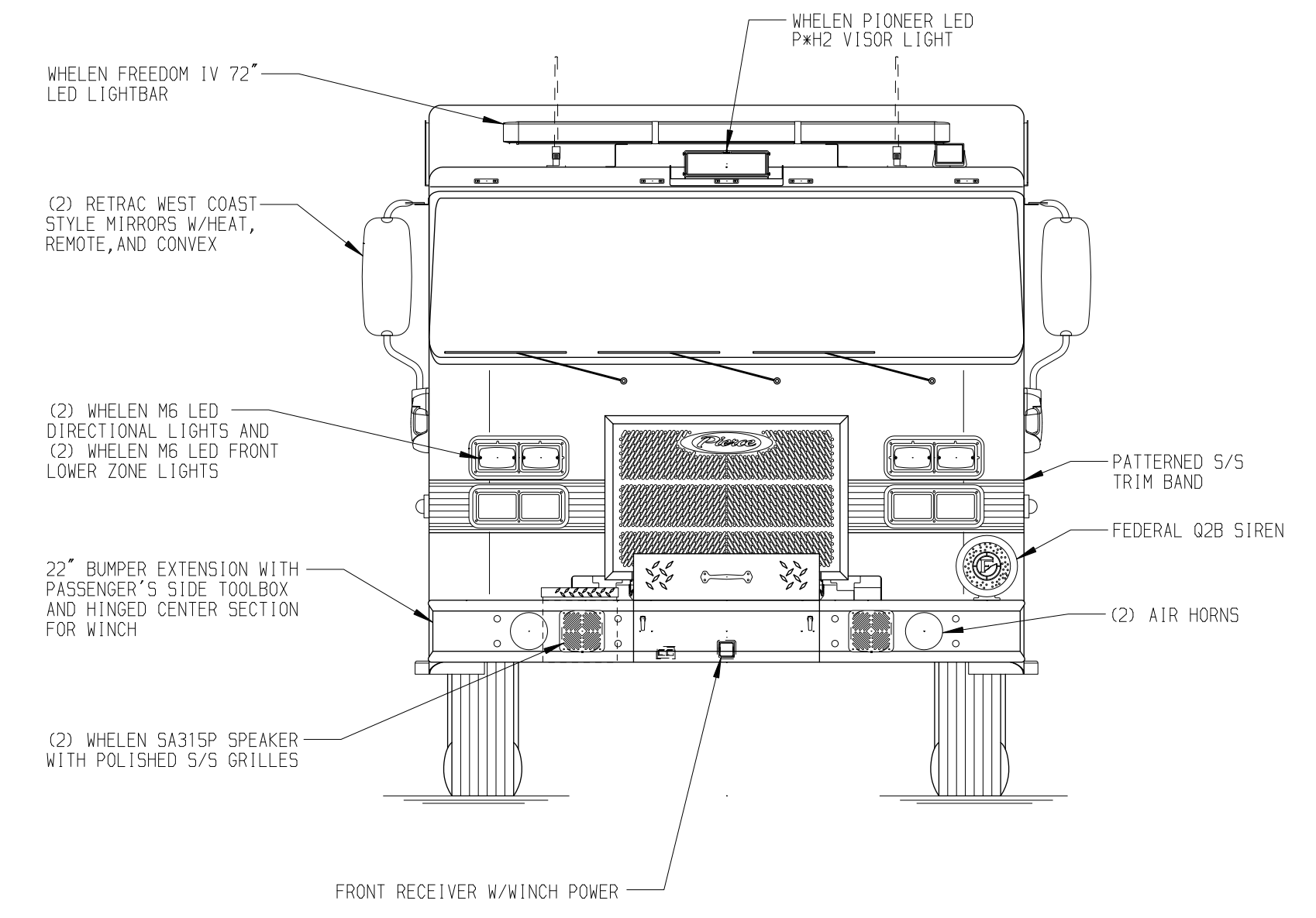
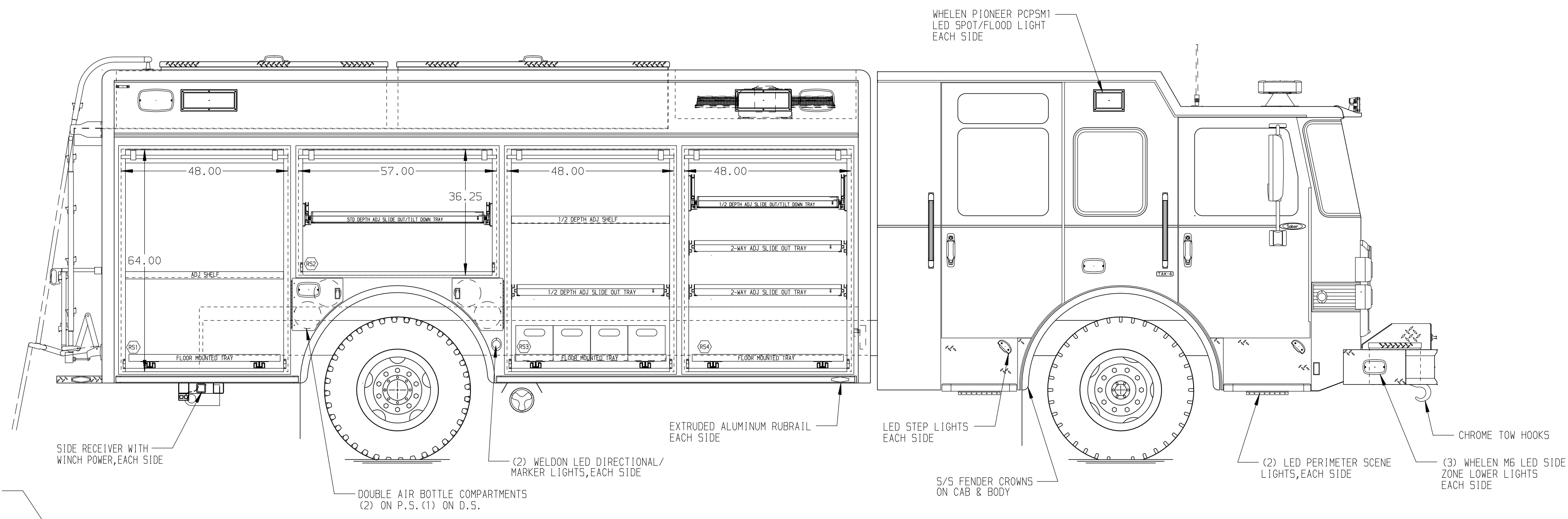
PASSENGER'S SIDE COMPARTMENTS CONTAIN THE FOLLOWING:

COMPARTMENT P1 CONTAINS:
 - (1) FLOOR MOUNTED TRAY
 - (1) STD DEPTH ADJ SHELF

COMPARTMENT P2 CONTAINS:
 - (1) STD DEPTH ADJ SLIDE OUT/TILT TRAY

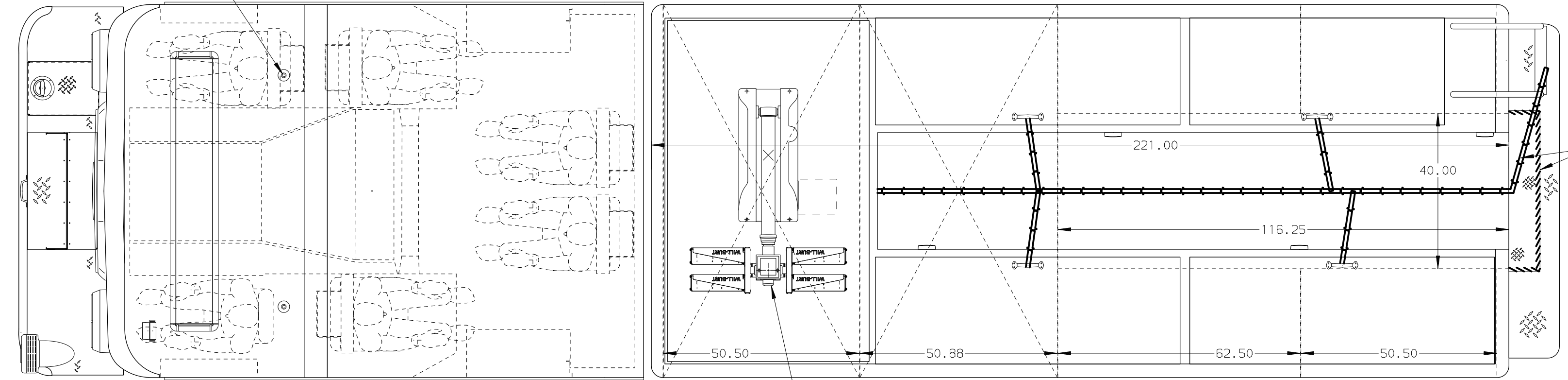
COMPARTMENT P3 CONTAINS:
 - (1) 1/2 DEPTH ADJ SHELF
 - (1) FLOOR MOUNTED TRAY
 - (1) 1/2 DEPTH ADJ SLIDE OUT TRAY
 - (4) POLY TOOL BOXES

COMPARTMENT P4 CONTAINS:
 - (1) 1/2 DEPTH ADJ SLIDE OUT/TILT TRAY
 - (1) FLOOR MOUNTED TRAY
 - (1) CAB LIFT CONTROLLER
 - (2) 2-WAY ADJ SLIDE OUT TRAYS



REAR COMPARTMENT CONTAINS THE FOLLOWING:

COMPARTMENT R1 CONTAINS:
 - (1) 110" DP SLIDE OUT TRAY
 - (1) FLOOR MOUNTED RACK
 - (1) STOKES BASKET RACK



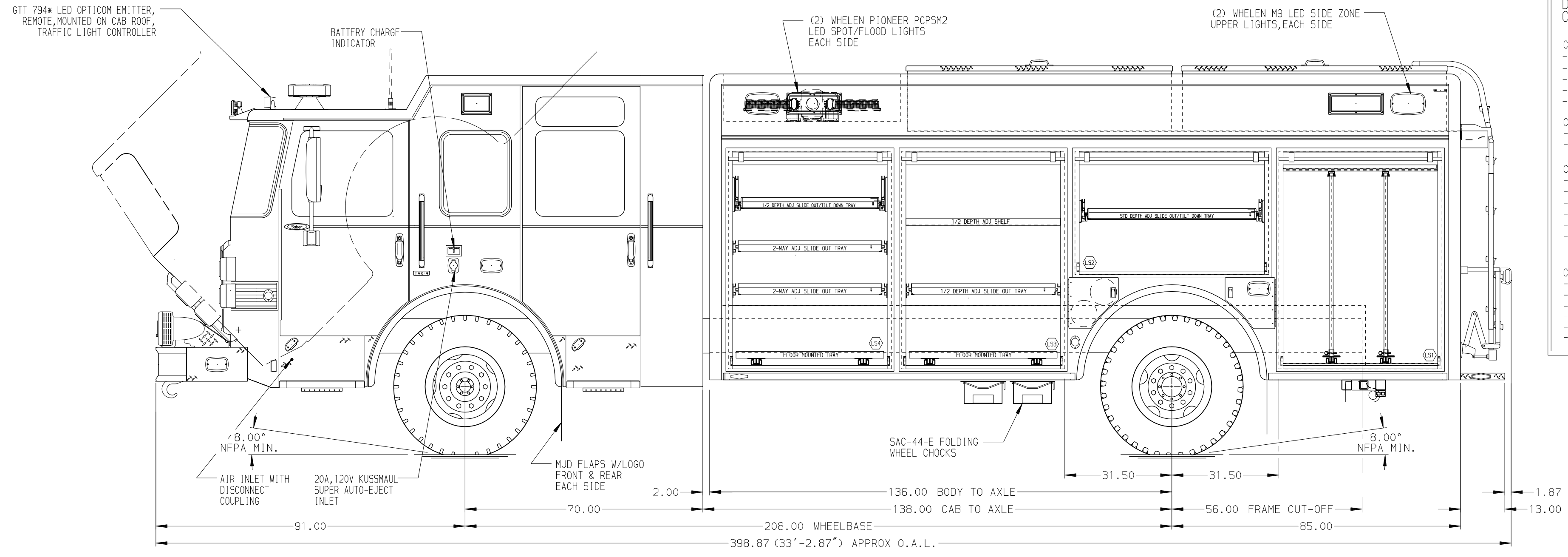
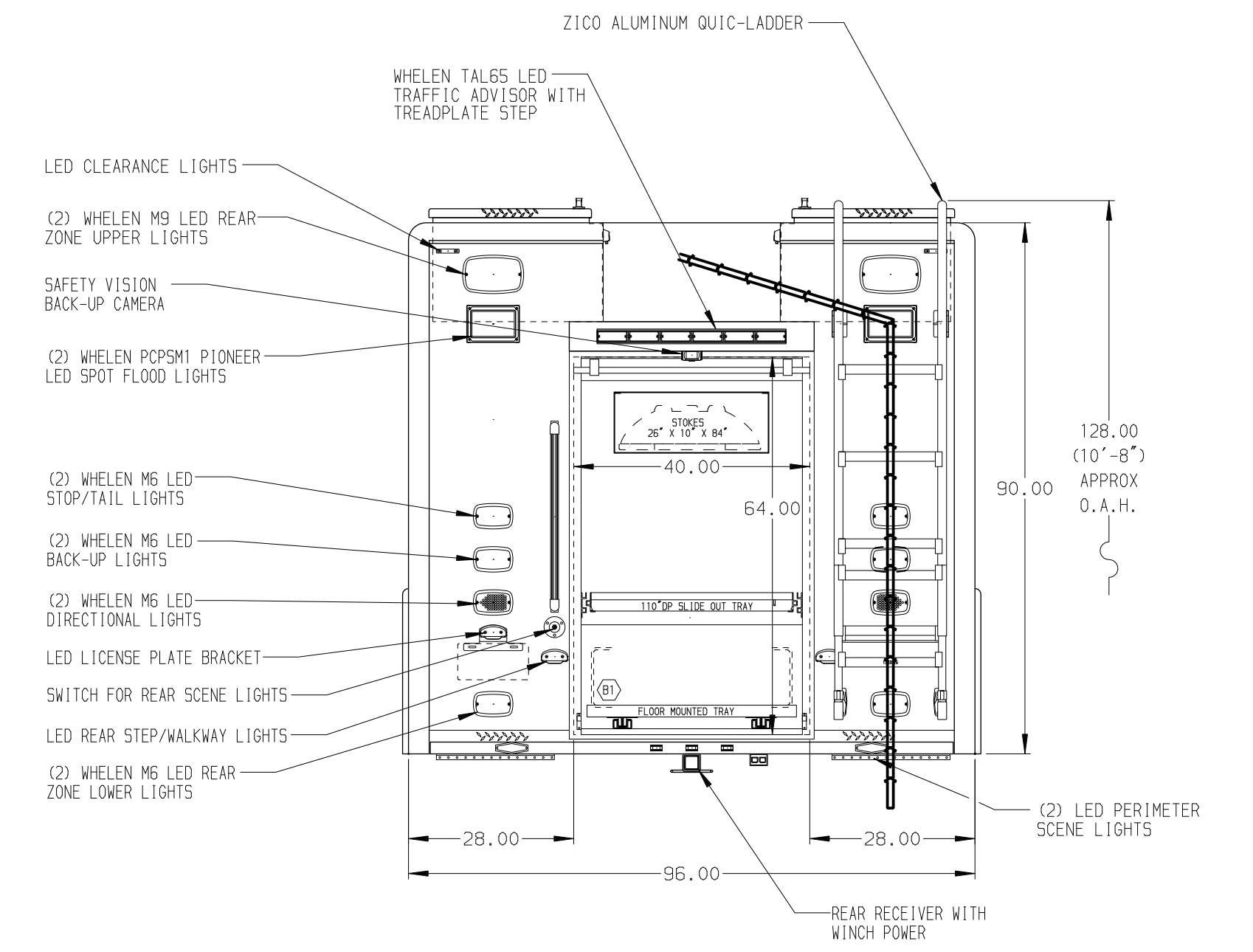
DRIVER'S SIDE COMPARTMENTS CONTAIN THE FOLLOWING:

COMPARTMENT D1 CONTAINS:
 - (2) STD DEPTH ADJ SLIDE OUT TOOLBOARDS

COMPARTMENT D2 CONTAINS:
 - (1) STD DEPTH ADJ SLIDE OUT/TILT TRAY

COMPARTMENT D3 CONTAINS:
 - (1) 1/2 DEPTH ADJ SHELF
 - (1) 1/2 DEPTH ADJ SLIDE OUT TRAY
 - (1) FLOOR MOUNTED TRAY

COMPARTMENT D4 CONTAINS:
 - (1) 1/2 DEPTH ADJ SLIDE OUT/TILT TRAY
 - (2) 2-WAY ADJ SLIDE OUT TRAYS
 - (1) FLOOR MOUNTED TRAY



NOTE
 DIMENSIONS SHOWN ARE APPROXIMATE AND ARE SUBJECT TO MINOR DEVIATIONS AS MAY OCCUR OR BE NECESSARY IN CONSTRUCTION. MINOR DETAILS NOT SHOWN.

NOTES:

- WARN #9,000 PORTABLE WINCH
- FLOOR IN CAB AND CREW CAB TO BE PADDED RUBBER
- PULL STRAPS ON ALL BODY ROLL UP DOORS
- PIERCE LED LIGHT STRIPS IN ALL BODY AND HATCH COMPARTMENTS
- 107A 75 AMP BATTERY CHARGER LOCATED BEHIND THE DRIVER'S SEAT
- S/S GUARDS ON ALL BODY ROLL-UP DOORS

(SIDE ROLL & FRONTAL IMPACT PROTECTION)

CUSTOMER APPROVAL

APPROVED BY: _____
 DATE: _____

REV	DATE	BY	CH
01FEB24	RWR	CAG	
25AUG23	DHE	JJF	

		JOB NO.	40745
		SCALE	DATE
TITLE	HEAVY DUTY RESCUE NON-WALKIN	DRAWN BY	DHE 18MAY23
FOR	NEW TECUMSETH FIRE RESCUE ALLISTON, ONTARIO, CANADA	CHECKED BY	THS 23MAY23
DWG NO.	40745AD	SHEET SIZE	SHEET NO.
		D	1 OF 1

CLEAR DOOR WIDTH KEY

AMDR ROLL UP DOORS:	-2 1/4"
CORTITE ROLL UP DOORS:	-2 1/2"
PIERCE DOUBLE LIP DOORS:	-4 1/4"
PIERCE LIFT-UP LIP DOORS:	-1 1/2"

(EX: 60" F-F - 2 1/4" = 57 3/4" CLEAR)
 (F-F) = FRAME TO FRAME