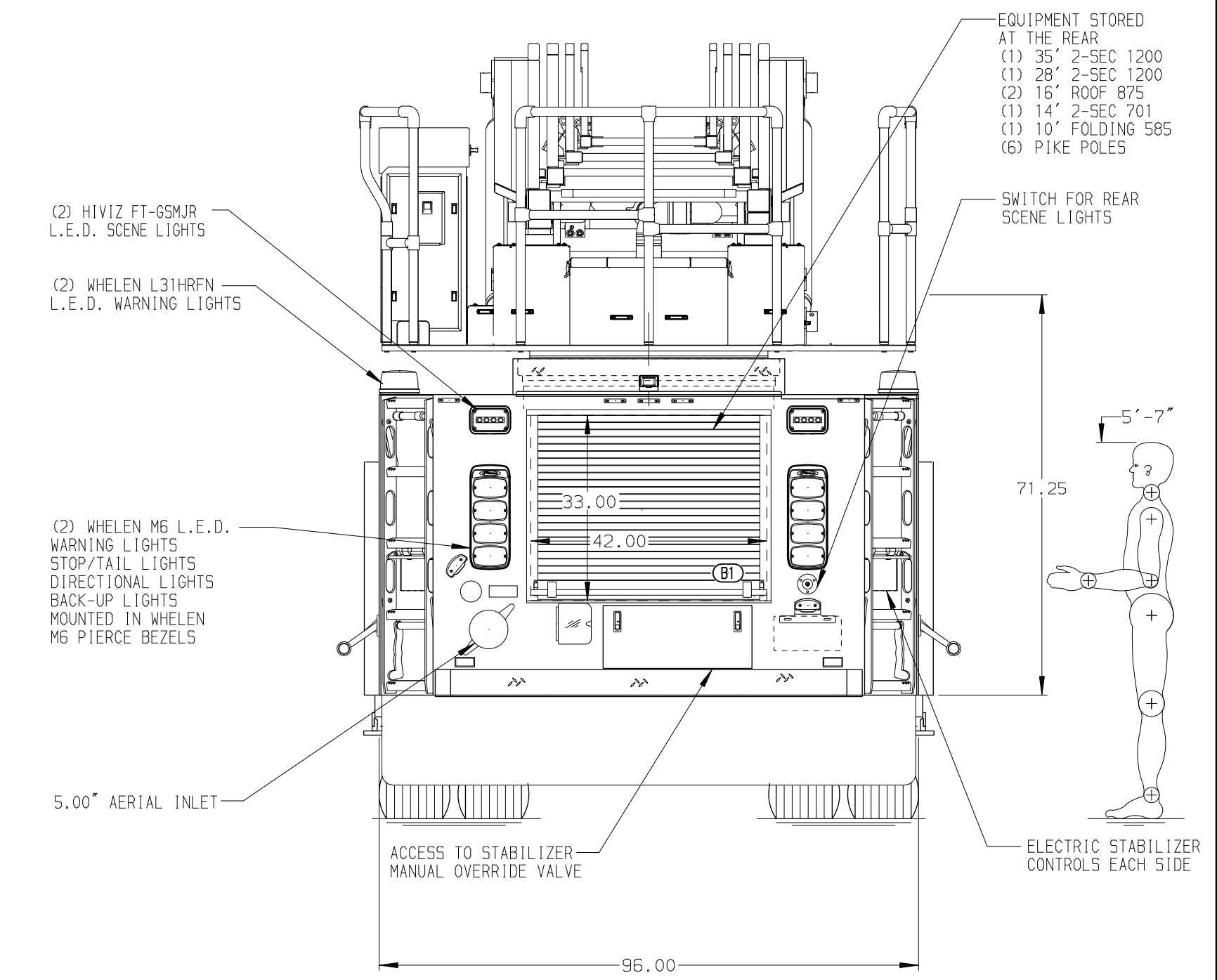


BODY
 Aerial, HD Ladder 105', Alum Body
COMPT, LEFT SIDE FRONT
 FH/FD Lap Forward w/o Chute
COMPT, LEFT SIDE REAR
 FH/FD Lap Rearward
COMPT, RIGHT SIDE FRONT
 FH/FD Lap Forward w/o Chute
COMPT, RIGHT SIDE REAR
 FH/FD Lap Rearward



CHASSIS Enforcer Chassis	CAB 6000 Enforcer Cab	AXLE, FRONT, CUSTOM 19,500 Lb TAK-4 Axle	TRANSMISSION Allison 6th Gen, 4500 EVS P	COMPARTMENT-NO PUMP 42" Wide w/Double Doors	SAFETY Frontal Impact Protection	MAX O.A.H. 11'-7.00"
ENGINE 500 HP Cummins X12 Engine	BUMPER 10" Extended Painted Steel	AXLE, REAR 48,000 Lb Meritor Axle	GENERATOR Generator Not Required			

NOTE DIMENSIONS SHOWN ARE APPROXIMATE AND ARE SUBJECT TO MINOR DEVIATIONS AS MAY OCCUR OR BE NECESSARY IN CONSTRUCTION. MINOR DETAILS NOT SHOWN.	1. NO LIMITED RETRACTION REQUIRED	11. SEVEN SLIDE-OUT TRAY PER ORDER
	2. SHORELINE RECEPTACLE WITH KUSSMAUL SUPER AUTO-EJECT LOCATED PER ORDER	12. FOUR SLIDE-OUT (PULL TRANS) TOOLBOARDS PER ORDER
3. AIR INLET WITH DISCONNECT COUPLING IN THE DRIVER SIDE STEPWELL	13. SIX 120V RECEPTACLES PER ORDER	14. RUNG LIGHTS ON AERIAL LADDER PER ORDER
4. BATTERY CHARGER LOCATED PER ORDER	14. RUNG LIGHTS ON AERIAL LADDER PER ORDER	15. TWO FLOOR EXTENTIONS PER ORDER
5. ONE ADJUSTABLE SHELVES LOCATED PER ORDER		
6. SIX FLOOR MOUNTED SLIDE-OUT TRAYS LOCATED PER ORDER		
7. 3.00" RAISED AERIAL POSTERIA		
8. LIFTING EYE ROPE RESCUE ATTACHMENT AT AERIAL TIP		
9. BATTERY CHARGER INDICATOR LOCATED ON DRIVER'S SEAT RISER		
10. WHEEL CHOCK BRACKETS PROVIDED BY DEPARTMENT		

Pierce MANUFACTURING INC.		JOB NO.	40774
		SCALE	DATE
		1:24	
CHASSIS DATA		TITLE	100' HSL AERIAL LADDER & BODY ASSEMBLY
12MAR24	LWE CLM	FOR	LOWELL FIRE DEPARTMENT
20SEPT23	LWE CLM		LOWELL, MA
17AUG23	LWE CLM	DWG NO.	40774AD
REV	DATE BY CH	ENFORCER	
			SHEET NO. 1 OF 1