

**PUMPER
BODY**

Long Aluminum 2nd Gen Pumper

CHASSIS

Sober FR Chassis

**CHASSIS
AXLE, FRONT, CUSTOM**

18,000 Lb Dana Axle

AXLE, REAR

27,000 Lb Dana Axle

ENGINE

450 HP Cummins L9 Engine

TRANSMISSION

Allison 6th Gen, 3000 EVS P

BUMPER

22" Extended Stainless Steel

CAB

7010 Sober FR Cab

BODY

WATER TANK

750 Gallon Poly Water Tank

COMPT, PUMPER, REAR

44.50" FF RoLup Rear Compt

COMPT, PUMPER, LEFT SIDE

161" RoLup Full Height & Depth Front & Rear

COMPT, PUMPER, RIGHT SIDE

161" RoLup Full Height Front & Rear FDler

**FIRE SUPPRESSION
PUMPHOUSE**

45" Control Zone Side Mount

PUMP

1500 GPM Waterous CSU

CROSSLAYS, 1.50"

(2) 1.50" Standard Capacity

CROSSLAYS, 2.50"

(1) 2.50" Standard Capacity

SPEEDLAYS

SpeedLays Not Required

GENERATOR

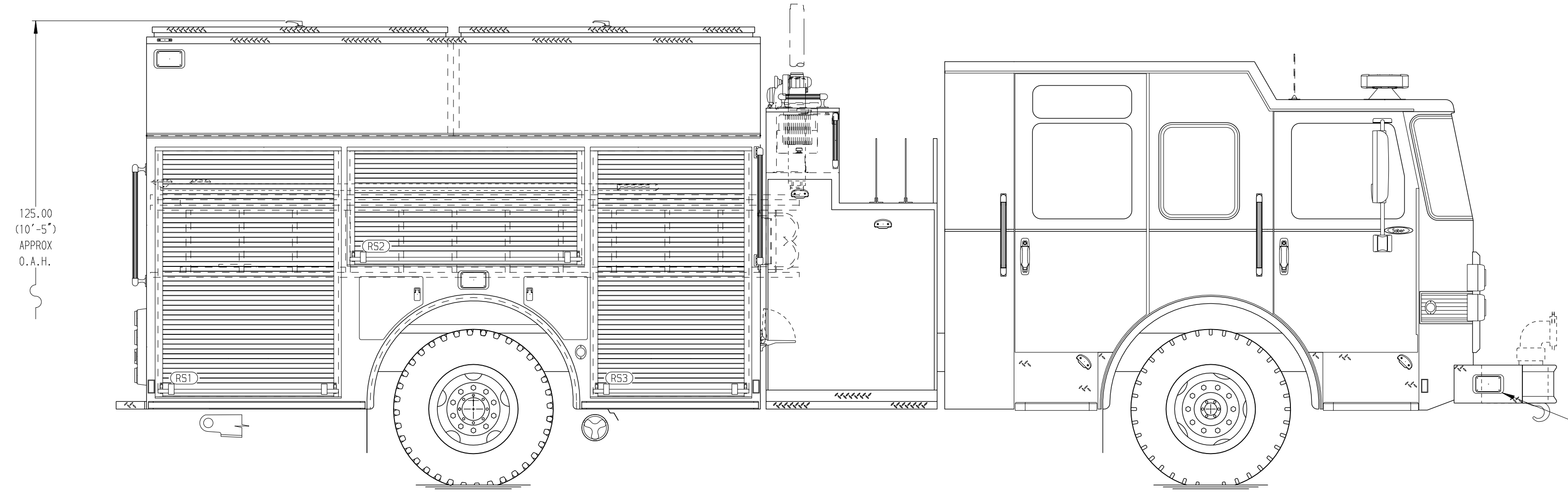
Generator Not Required

Foam System

Husky Foam System (CTF)

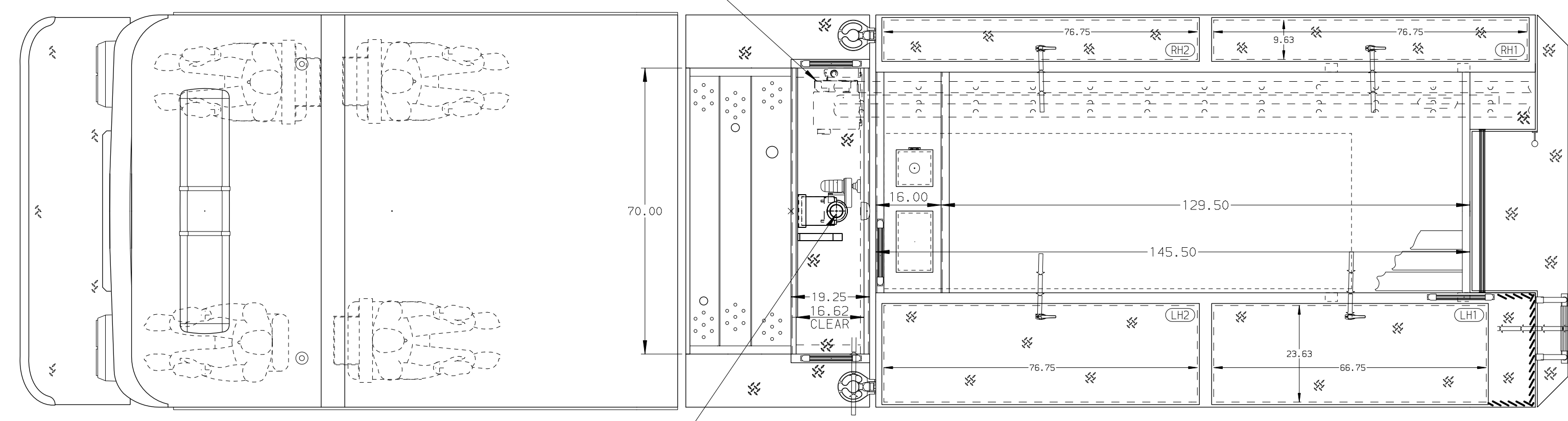
Foam Cell

20 Gallon Foam Cell, Not Reduced Water

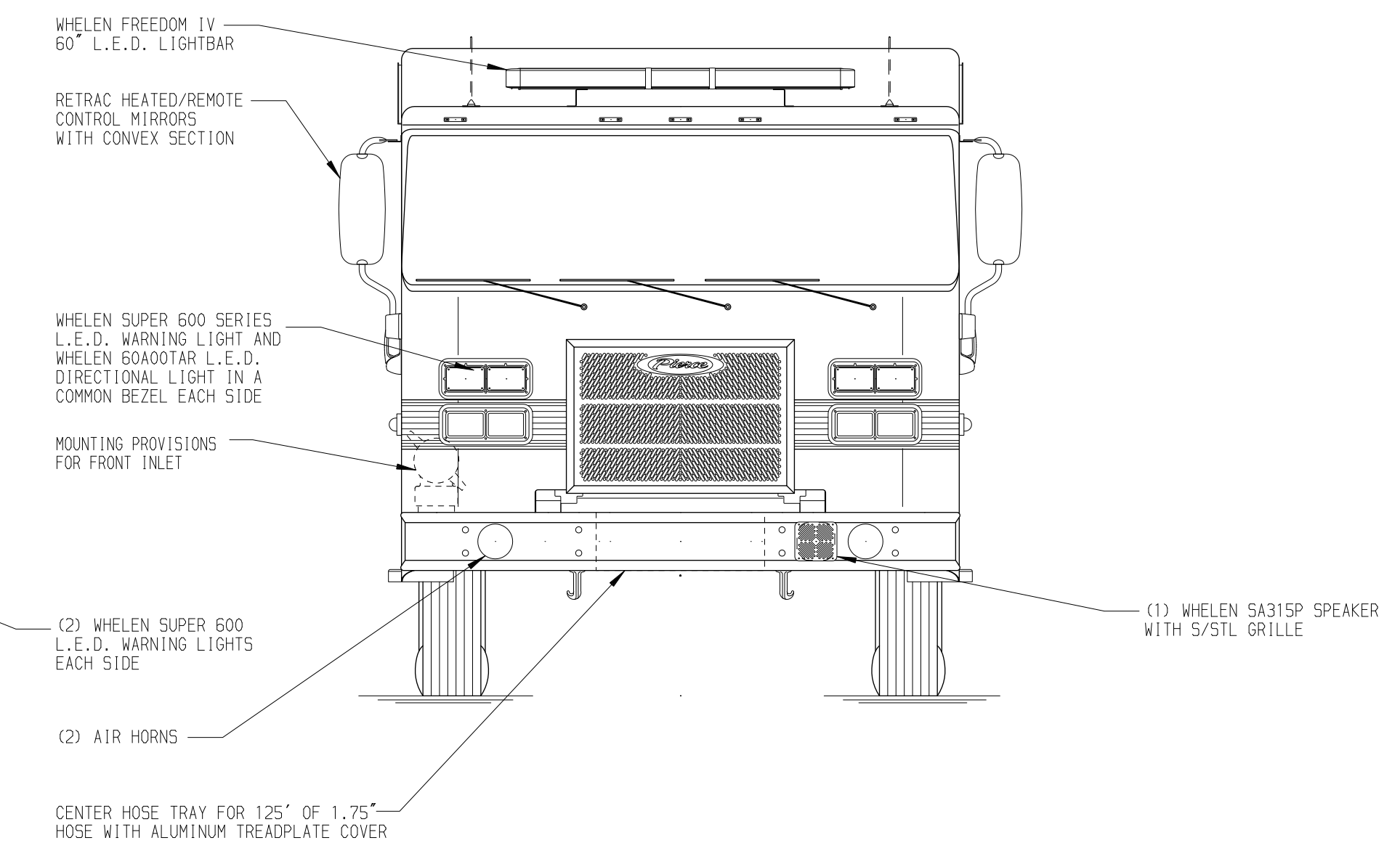


125.00
(10'-5")
APPROX
O.A.H.

MOUNTING PROVISIONS FOR
HUSKY 3/12 FOAM SYSTEM



OUTLET, 3.00" DELUGE W/TFT
RC3 ELECT EXTEND-A-GUN,
HW VALVE, FOR MANUAL TFT
MONITOR, CUSTOMER/DEALER FURNISHED
AND INSTALLED



WHELEN FREEDOM IV
60" L.E.D. LIGHTBAR

RETRAC HEATED/REMOTE
CONTROL MIRRORS
WITH CONVEX SECTION

WHELEN SUPER 600 SERIES
L.E.D. WARNING LIGHT AND
WHELEN 6000STAR L.E.D.
DIRECTIONAL LIGHT IN A
COMMON BEZEL EACH SIDE

MOUNTING PROVISIONS
FOR FRONT INLET

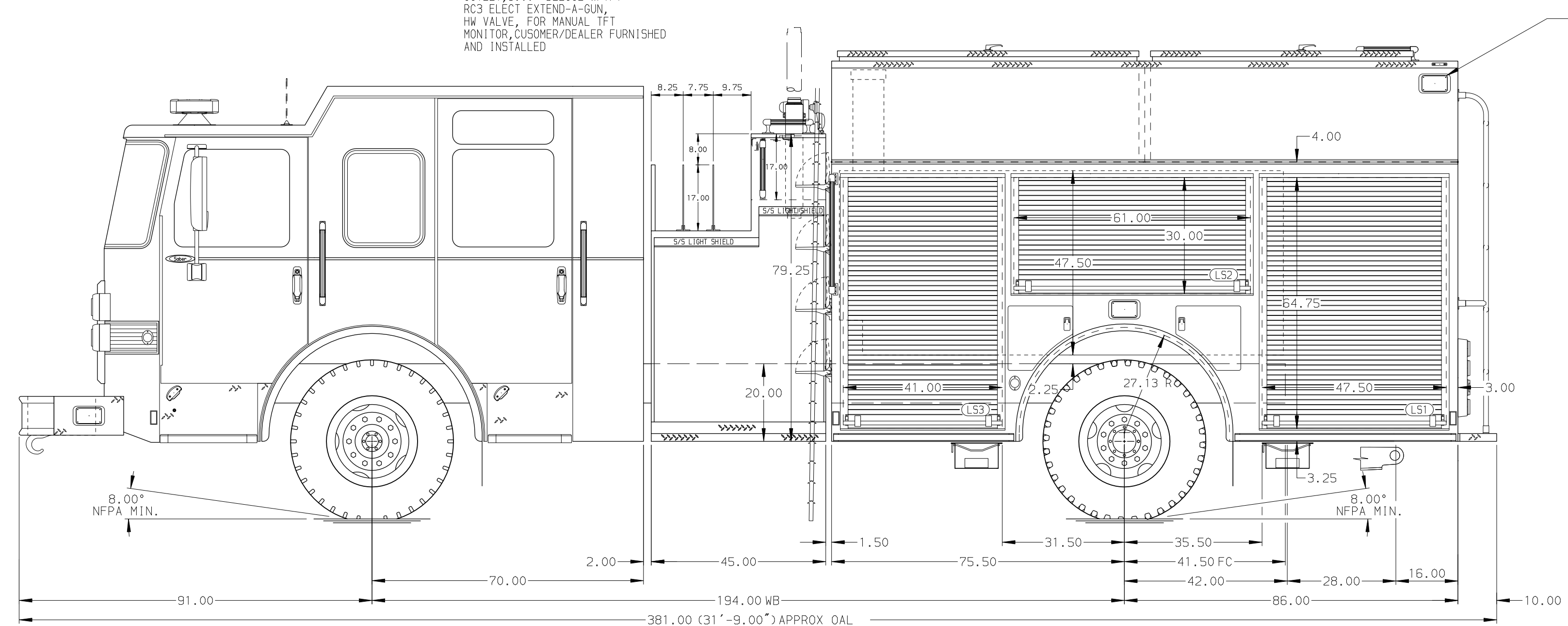
(2) WHELEN SUPER 600
L.E.D. WARNING LIGHTS
EACH SIDE

(2) AIR HORNS

CENTER HOSE TRAY FOR 125' OF 1.75"
HOSE WITH ALUMINUM TREADPLATE COVER

(1) WHELEN SA315P
SPEAKER
WITH 5/STL GRILLE

HOSEBED CAPACITY	
BED 1	500' OF 3.00" D.J. POLY HOSE
BED 2	1000' OF 5.00" D.J. POLY HOSE
BED 3	500' OF 3.00" D.J. POLY HOSE



(2) WHELEN 60x02"R L.E.D.
REAR/SIDE WARNING LIGHTS
EACH SIDE

(2) WHELEN 60x02"R L.E.D.
REAR/SIDE WARNING LIGHTS

CAMERA, PIERCE, 2"
HD, B, CAMERA, HD,
RECESSED

(2) WHELEN PELCC
L.E.D. SCENE LIGHTS

(1) CUP SWITCH FOR
HOSE BED LIGHTS

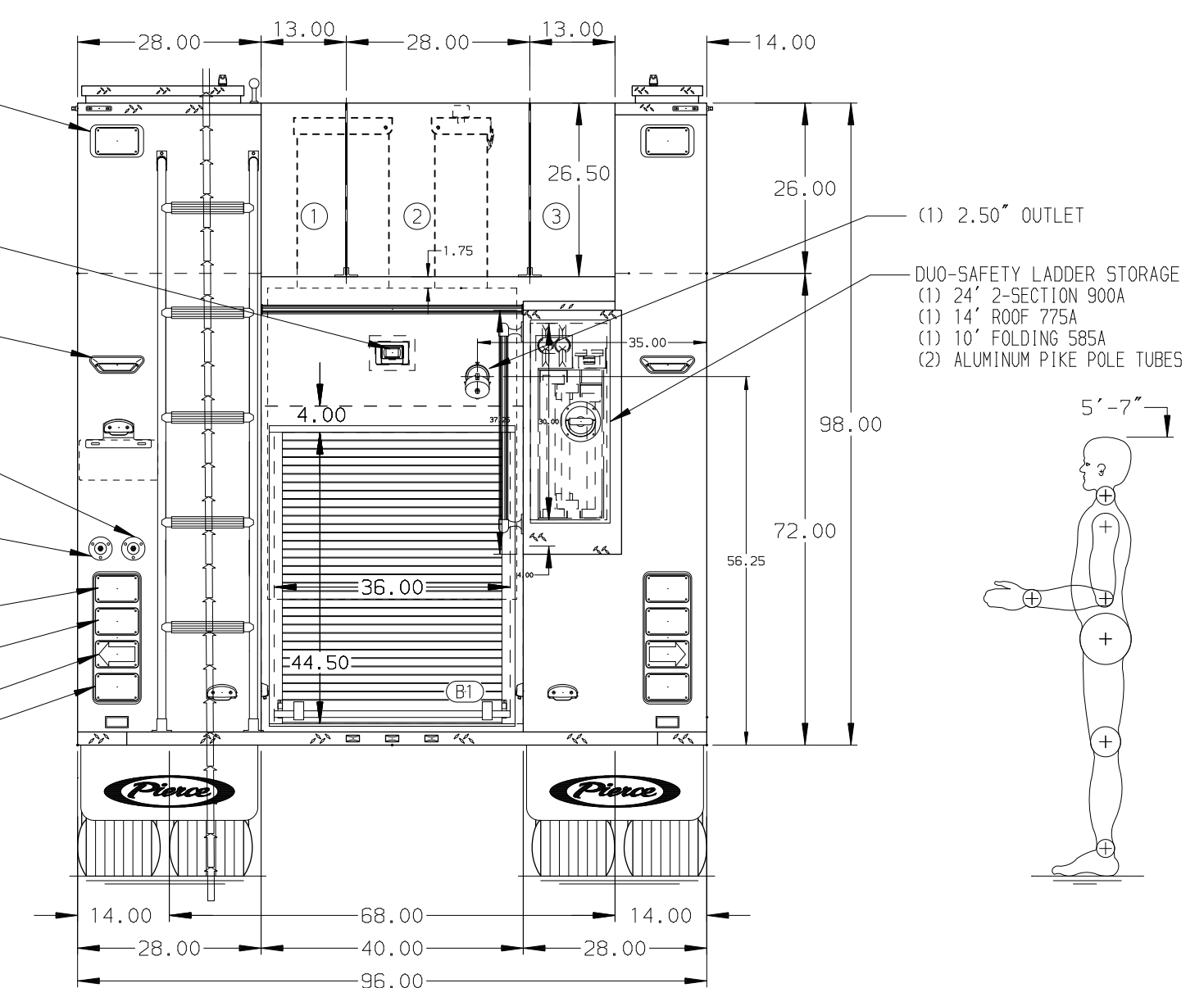
(1) CUP SWITCH FOR
REAR PELCC LIGHTS

(2) WHELEN 600 SERIES
WARNING LIGHTS

(2) WHELEN 600 SERIES
STOP/TAIL LIGHTS

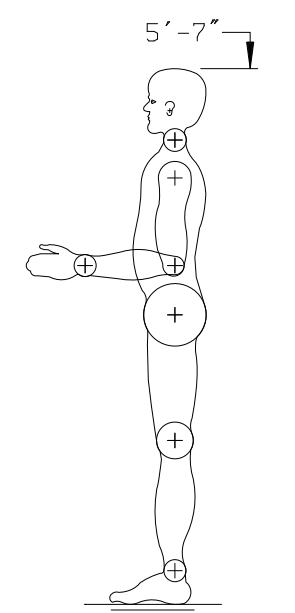
(2) WHELEN 600 SERIES
DIRECTIONAL LIGHTS

(2) WHELEN 600 SERIES
BACK-UP LIGHTS
LIGHTS MOUNTED IN
WHELEN BEZELS



(1) 2.50" OUTLET

DUO-SAFETY LADDER STORAGE
(1) 24" 2-SECTION 900A
(1) 14" ROOF 775A
(1) 10" FOLDING 585A
(2) ALUMINUM PIKE POLE TUBES



NOTE
DIMENSIONS SHOWN ARE APPROXIMATE
AND ARE SUBJECT TO MINOR DEVIATIONS
AS MAY OCCUR OR BE NECESSARY IN
CONSTRUCTION.
MINOR DETAILS NOT SHOWN.

- ONE 1.50 OUTLET WITH 2.00 PIPING AND SWIVEL LOCATED IN CENTER BUMPER TRAY
- AIR INLET WITH DISCONNECT COUPLING IN THE DRIVER SIDE STEPWELL
- BATTERY CHARGER LOCATED PER ORDER
- SIX ADJUSTABLE SHELVES LOCATED PER ORDER
- TWO FLOOR MOUNTED SLIDE-OUT TRAY LOCATED PER ORDER
- ONE SWING-OUT TOOLBOARD WITH NO HOLES LOCATED PER ORDER
- ONE TILT/SLIDE-OUT TRAY LOCATED PER ORDER
- PARTITIONS LOCATED BETWEEN LS1/B1 AND RS1/B1

REV	DATE	BY	CH	SABER FR
23FEB24	WHO	CCS		PIERCE
16NOV23	RWR	CCS		MODEL

		JOB NO.	41208
		SCALE	DATE
TITLE	Pierce Pumper Approval Drawing	DRAWN BY	JJB
FOR	BMW Fire Department	CHECKED BY	MMF
DWG NO.	41208AD	SHEET SIZE	D
		SHEET NO.	1 OF 1