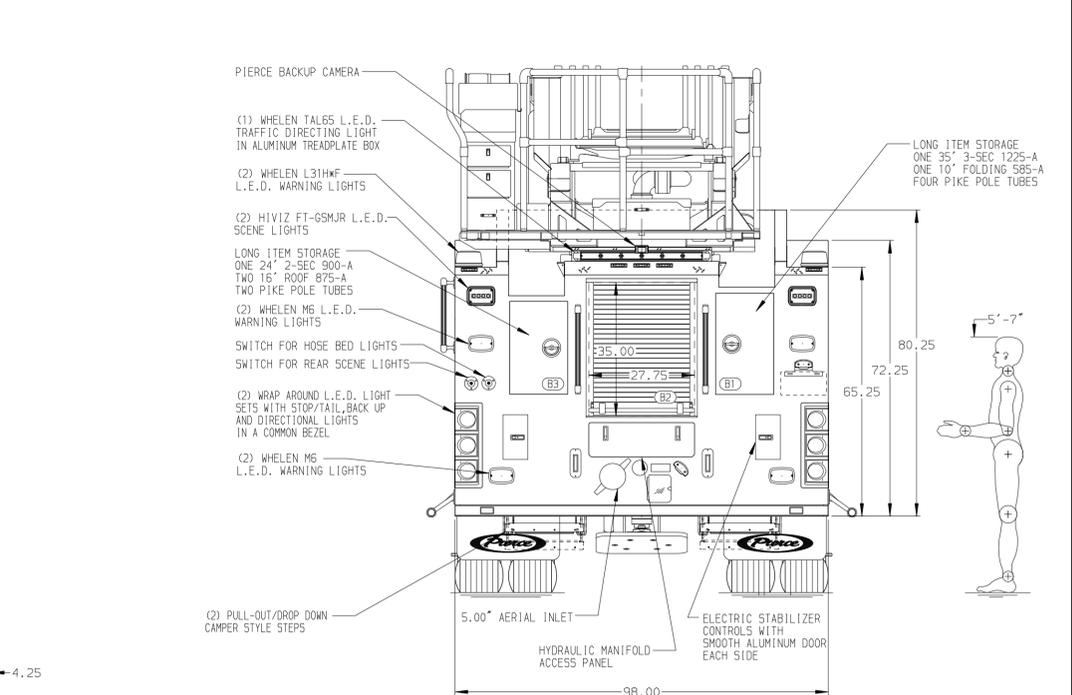


<p>BODY</p> <p>107' ASL Aluminum Body</p> <p>COMPT, LEFT SIDE FRONT Full Height RollUp Forward</p> <p>COMPT, LEFT SIDE REAR Full Height RollUp Rearward</p> <p>COMPT, RIGHT SIDE FRONT Full Height RollUp Forward</p> <p>COMPT, RIGHT SIDE REAR Full Height RollUp Rearward</p>	<p>WATER TANK</p> <p>500 Gallon Poly Water Tank</p> <p>Foam System</p> <p>Plumbing for Future Husky Foam System</p> <p>Foam Cell</p> <p>20 Gallon Foam Cell, Non Reduced Water</p>
--	---



<p>CHASSIS</p> <p>Enforcer Chassis</p> <p>ENGINE</p> <p>450 HP Cummins L9 Engine</p>	<p>CAB</p> <p>7010 Enforcer Notched Cab</p> <p>BUMPER</p> <p>19\" Extended Painted Steel</p>	<p>AXLE, FRONT, CUSTOM</p> <p>22,800 Lb TAK-4 Axle</p> <p>AXLE, REAR</p> <p>33,500 Lb Meritor Axle</p>	<p>TRANSMISSION</p> <p>Allison 6th Gen, 3000 EV5 P</p>	<p>PUMPHOUSE</p> <p>52\" Control Zone Side Mount</p> <p>PUMP</p> <p>2000 GPM Waterous CSU</p>	<p>CROSSLAYS, 1.50\"</p> <p>(2) 1.50\" Standard Capacity</p> <p>CROSSLAYS, 2.50\"</p> <p>(1) 2.50\" Standard Capacity</p>	<p>SPEEDLAYS</p> <p>Speedlays Not Required</p> <p>GENERATOR</p> <p>Generator Not Required</p>	<p>SAFETY</p> <p>Side Roll and</p> <p>Frontal Impact Protection</p>	<p>CUSTOMER APPROVAL</p> <p>APPROVED BY: _____</p> <p>DATE: _____</p>	<p>Pierce MANUFACTURING INC.</p>	<p>JOB NO. 41332</p> <p>SCALE 1:24</p> <p>DATE</p>	
<p>NOTE</p> <p>DIMENSIONS SHOWN ARE APPROXIMATE AND ARE SUBJECT TO MINOR DEVIATIONS AS MAY OCCUR OR BE NECESSARY IN CONSTRUCTION. MINOR DETAILS NOT SHOWN.</p>										<p>TITLE 107' ASCENDANT AERIAL LADDER AND BODY ASSEMBLY</p> <p>FOR PIERCE FIELD UNIT APPLETON, WI</p> <p>DWG NO. 41332AD</p>	<p>DRAWN BY ANZ</p> <p>CHECKED BY THS</p> <p>SHEET SIZE D</p> <p>SHEET NO. 1 OF 1</p>