

PUMPER BODY

Medium Aluminum 2nd Gen Pumper

CHASSIS

Enforcer Chassis

CHASSIS AXLE, FRONT, CUSTOM

19,500 Lb Tak-4 Axle

AXLE, REAR

24,000 Lb Meritor Axle

ENGINE

450 HP Cummins L9

TRANSMISSION

Allison 6th Gen, 3000 EVS P

BUMPER

19" Extended Painted Steel

CAB

7010 Enforcer Cab

BODY WATER TANK

750 Gallon New York Style Water Tank

COMPT, PUMPER, REAR

30.75" FF RollUp Rear Compt

COMPT, PUMPER, DRIVER SIDE

152" RollUp Full Height Front & Rear FDLR

COMPT, PUMPER PASS. SIDE

152" RollUp Full Height Front & Rear FDLR

FIRE SUPPRESSION PUMPHOUSE

48" Control Zone Side Mount

PUMP

1500 GPM Waterous CSU

CROSSLAYS, 1.50"

(2) 1.50" Standard Capacity

CROSSLAYS, 2.50"

(1) 2.50" Standard Capacity

SPEEDLAYS

SpeedLays Not Required

GENERATOR

Generator Not Required

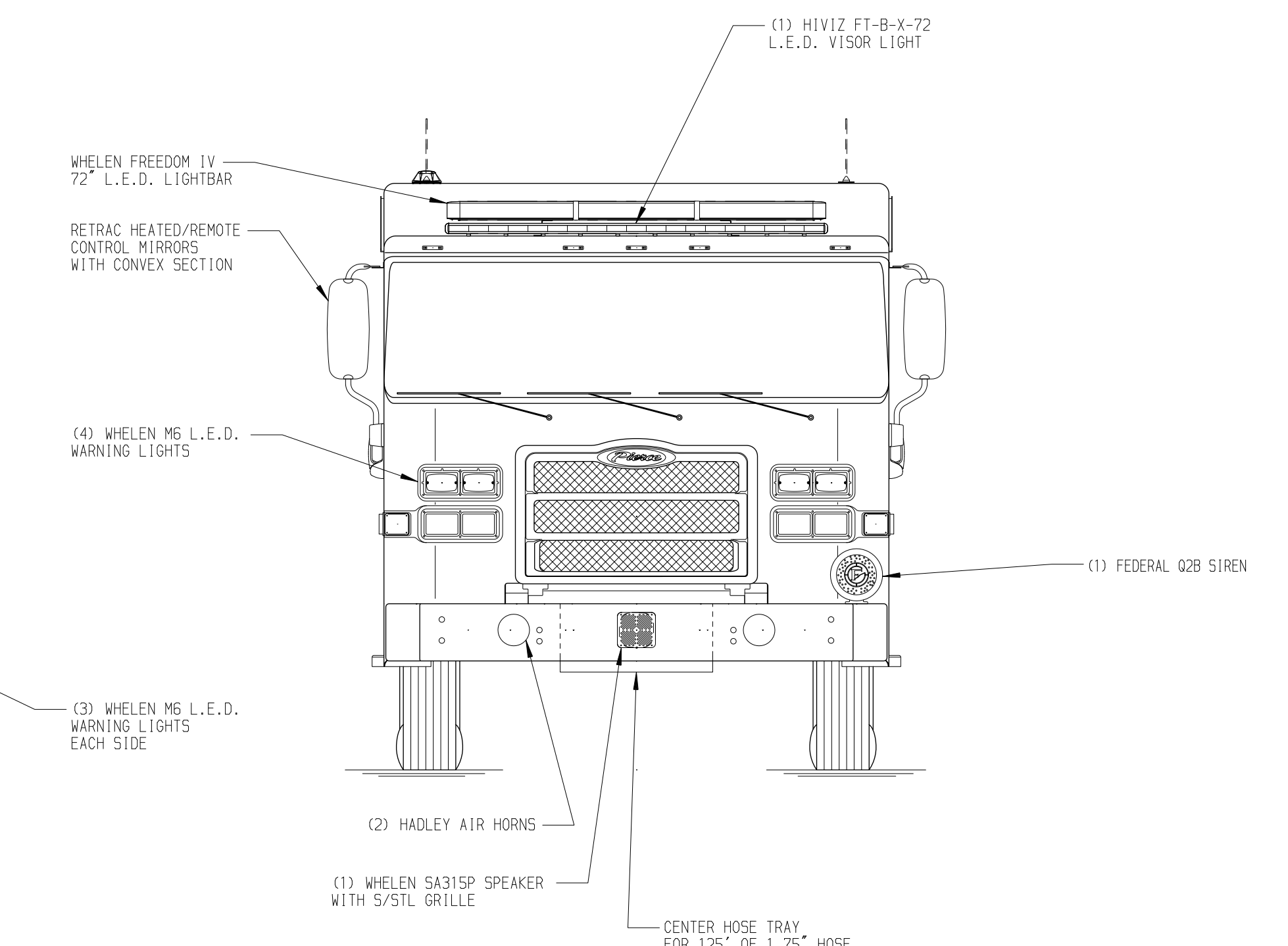
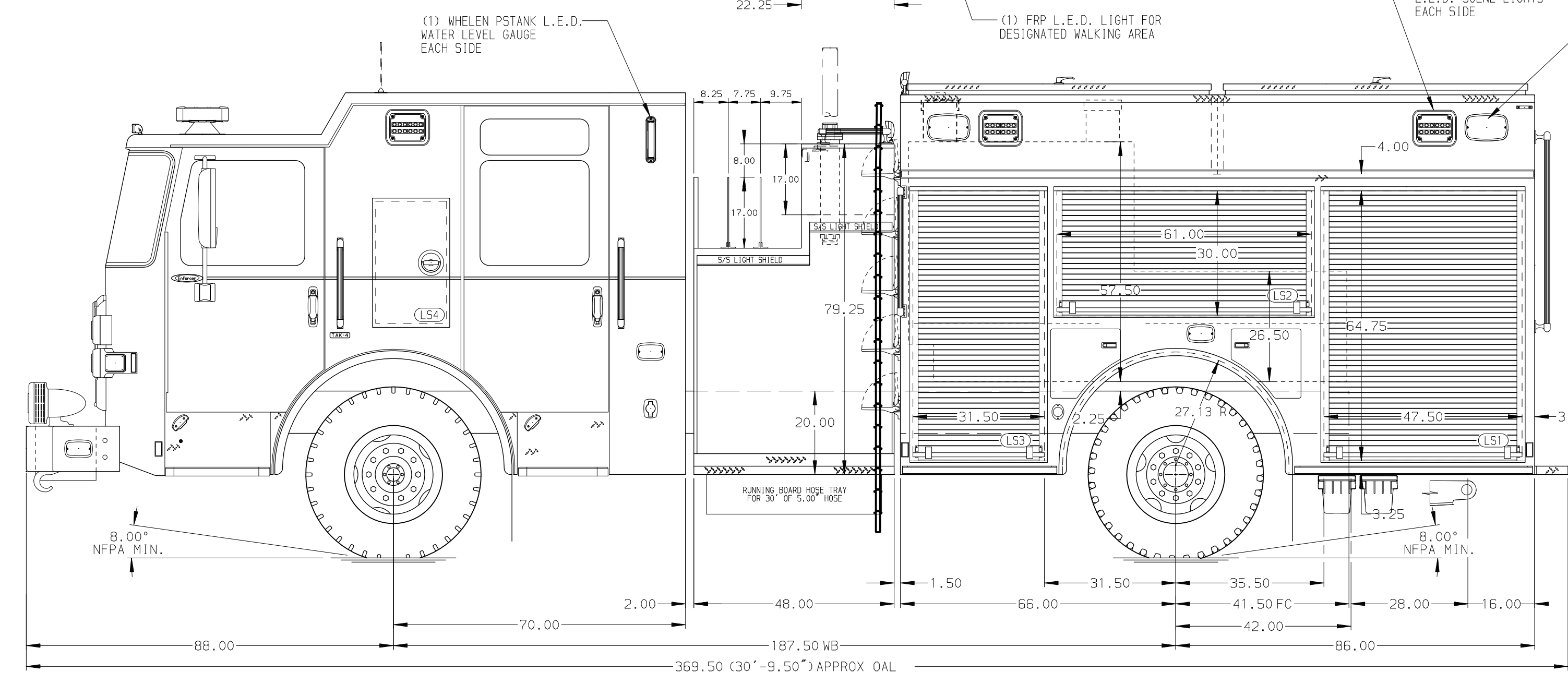
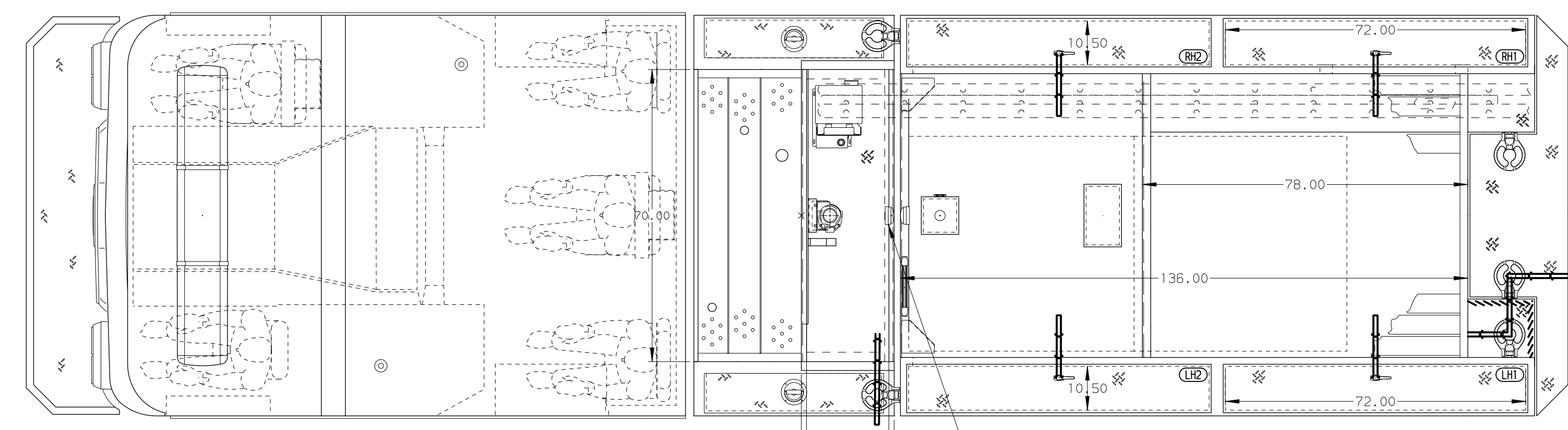
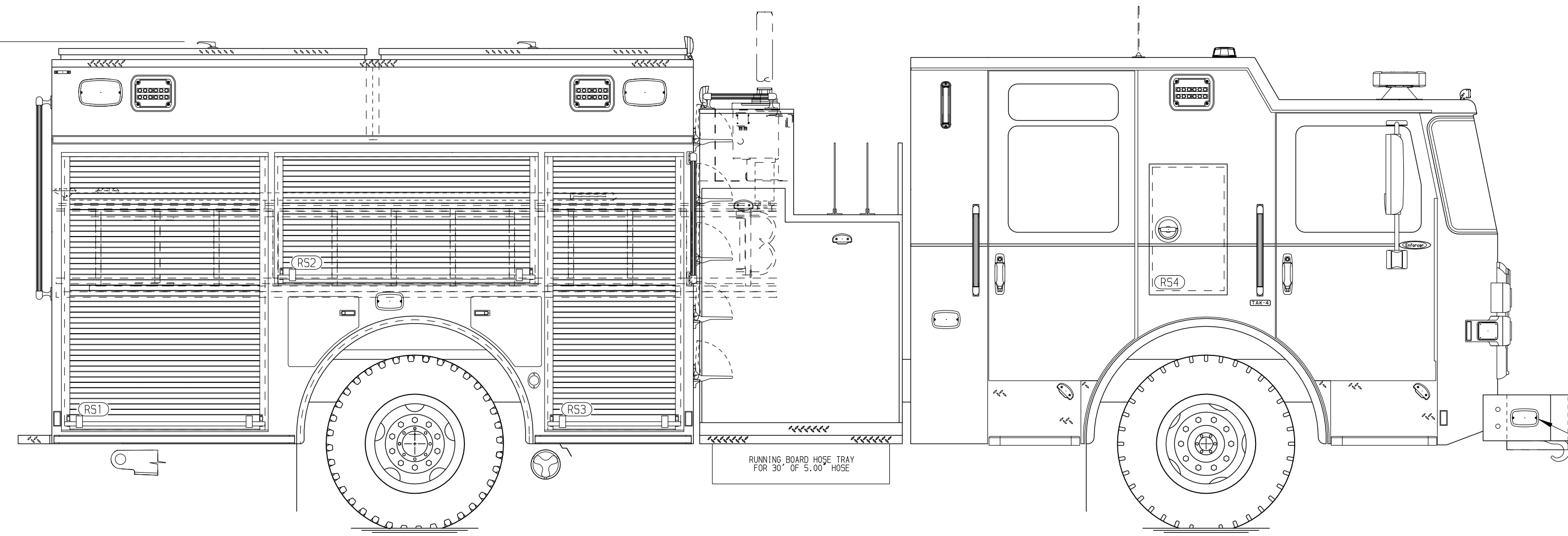
Foam System

Husky 3 Foam System

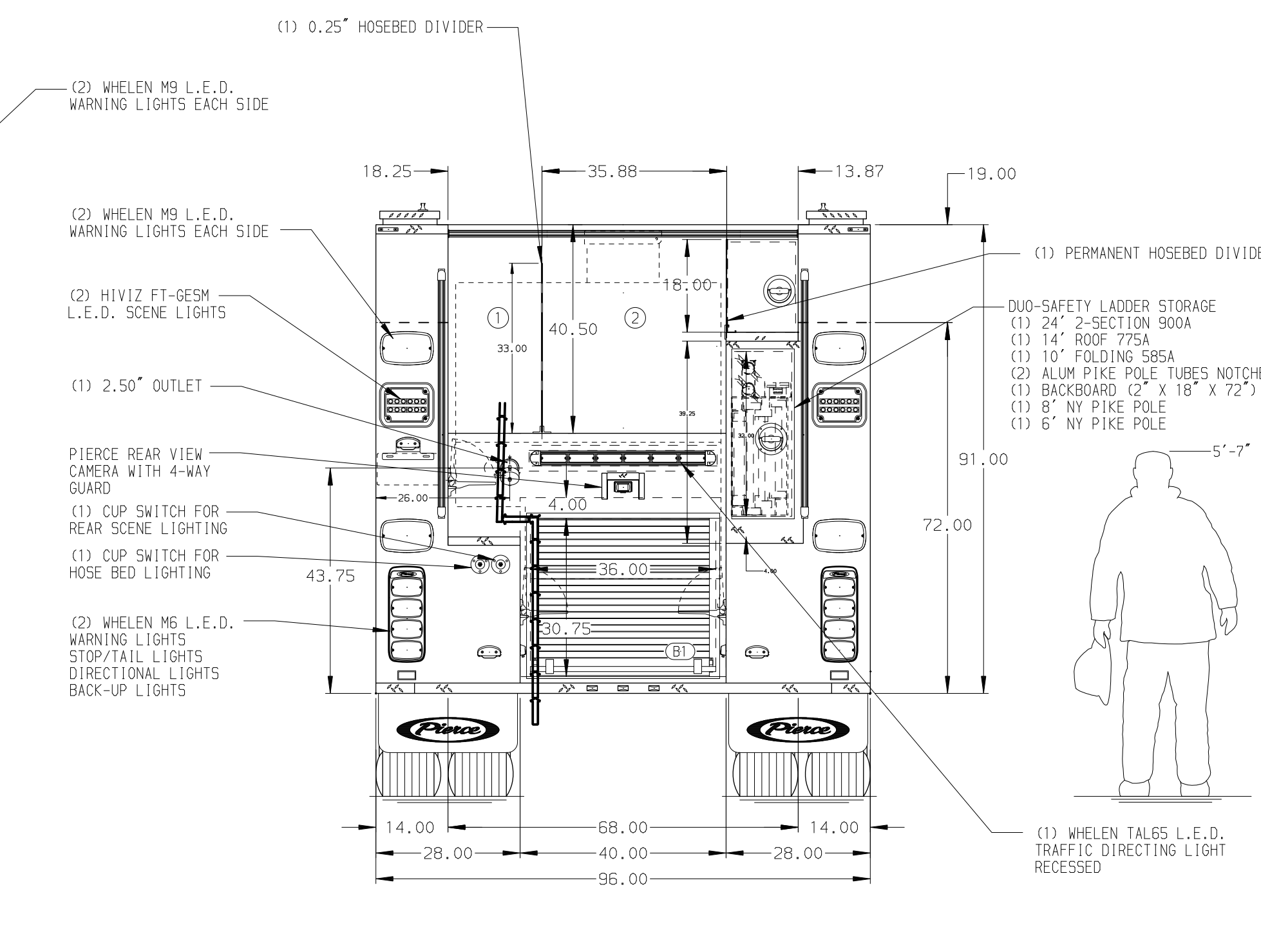
Foam Cell

20 Gallon Foam Cell, Not Reduced Water

119.00 (9'-11") APPROX O.A.H.



HOSEBED CAPACITY
BED 1
 500' OF 3.00" D.J. POLY HOSE
BED 2
 1000' OF 5.00" D.J. POLY HOSE



NOTE
 DIMENSIONS SHOWN ARE APPROXIMATE AND ARE SUBJECT TO MINOR DEVIATIONS AS MAY OCCUR OR BE NECESSARY IN CONSTRUCTION. MINOR DETAILS NOT SHOWN.

- ONE 1.50" OUTLET WITH 2.00" PIPING AND SWIVEL LOCATED IN CENTER BUMPER TRAY
- SHOULDER RECEPTACLE WITH KUSHNALL SUPER AUTO-EJECT LOCATED ON DRIVER SIDE OF CREW CAB
- AIR INLET WITH DISCONNECT COUPLING IN THE DRIVER SIDE STEPWELL
- BATTERY CHARGER LOCATED BEHIND DRIVER'S SEAT
- SEVEN ADJUSTABLE SHELVES IN COMPARTMENTS PER SHOP ORDER
- TWO FLOOR MOUNTED TRAYS LOCATED IN COMPARTMENT PER SHOP ORDER
- ONE SWING-OUT TOOLBOARD LOCATED IN COMPARTMENT PER SHOP ORDER
- ONE ALUMINUM MOUNTING PLATE LOCATED IN COMPARTMENT PER SHOP ORDER
- ONE C-TECH DRAWER ASSEMBLY LOCATED IN COMPARTMENT PER SHOP ORDER

CUSTOMER APPROVAL			
APPROVED BY:			
DATE:			
REV	DATE	BY	CH
28NOV23	28NOV23	AMI	THS

Pierce MANUFACTURING INC.		JOB NO.	41334
		SCALE	1:24
		DATE	
TITLE	Pierce Pumper Approval Drawing		
MAKE	Pierce		
FOR	Pierce Stock Field Unit		
MODEL	ENFORCER		
DWG NO.	41334AD		
CHECKED BY	THS	DRAWN BY	AMI
SHEET SIZE	D	CHECKED BY	THS
SHEET NO.	1 OF 1	DRAWN BY	AMI