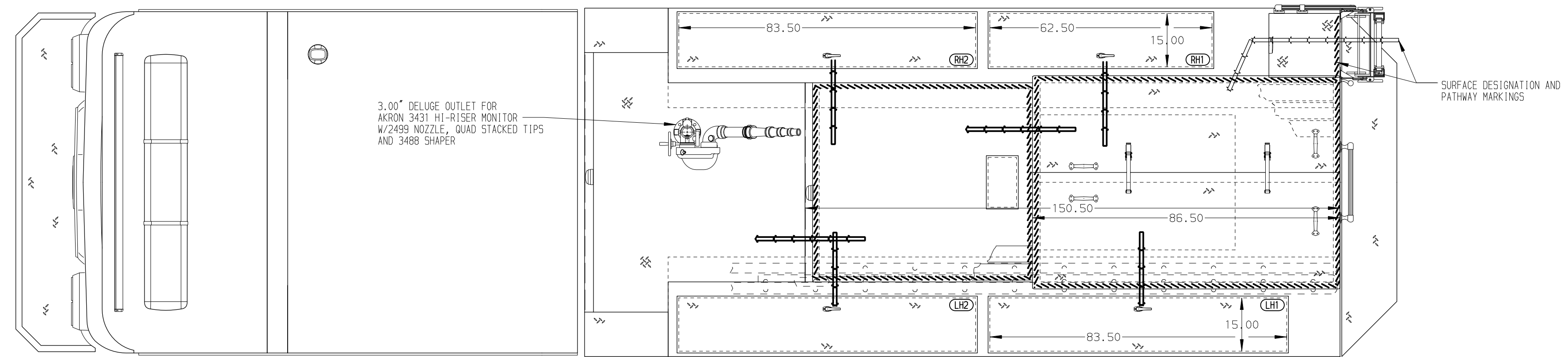
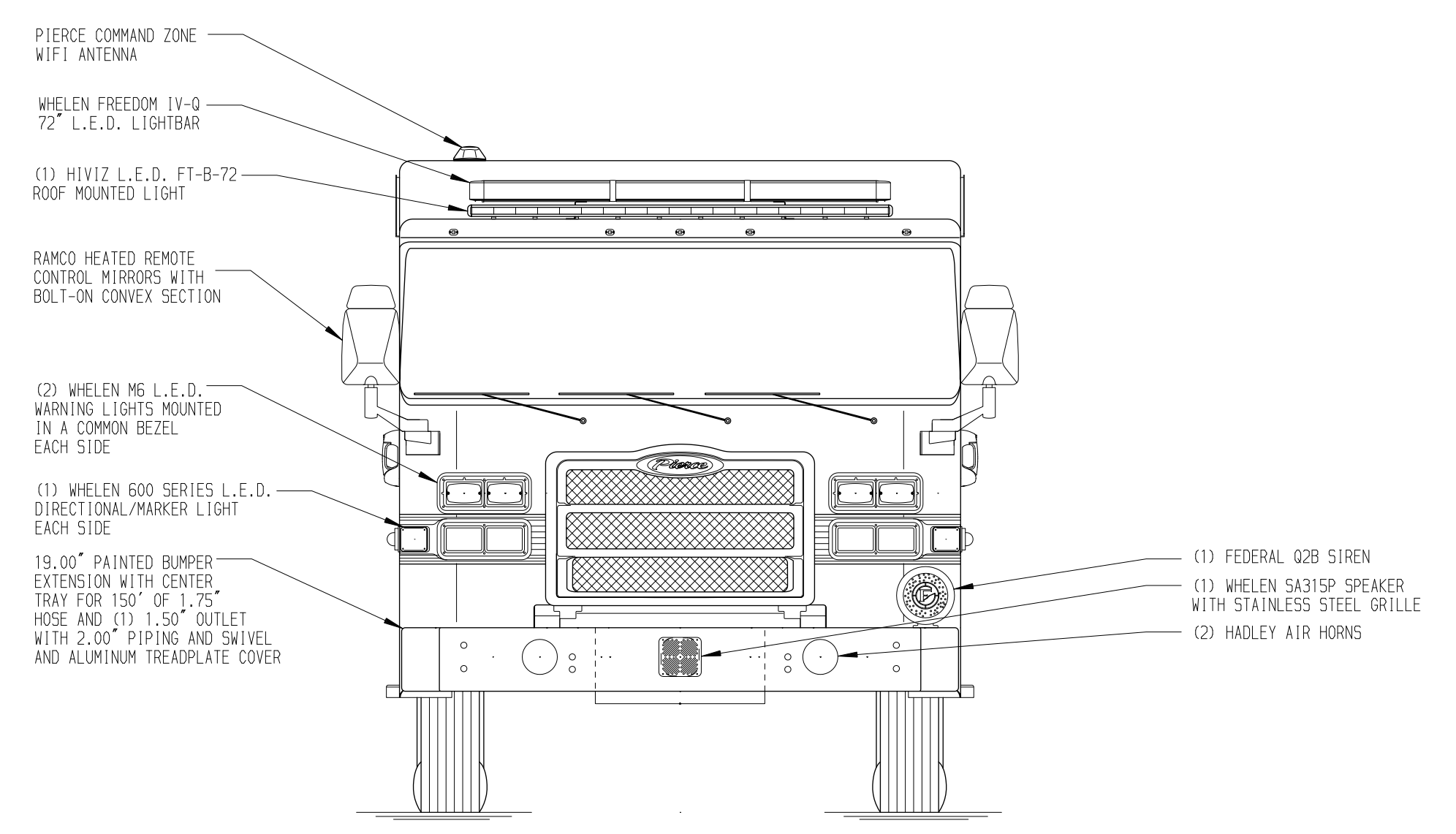
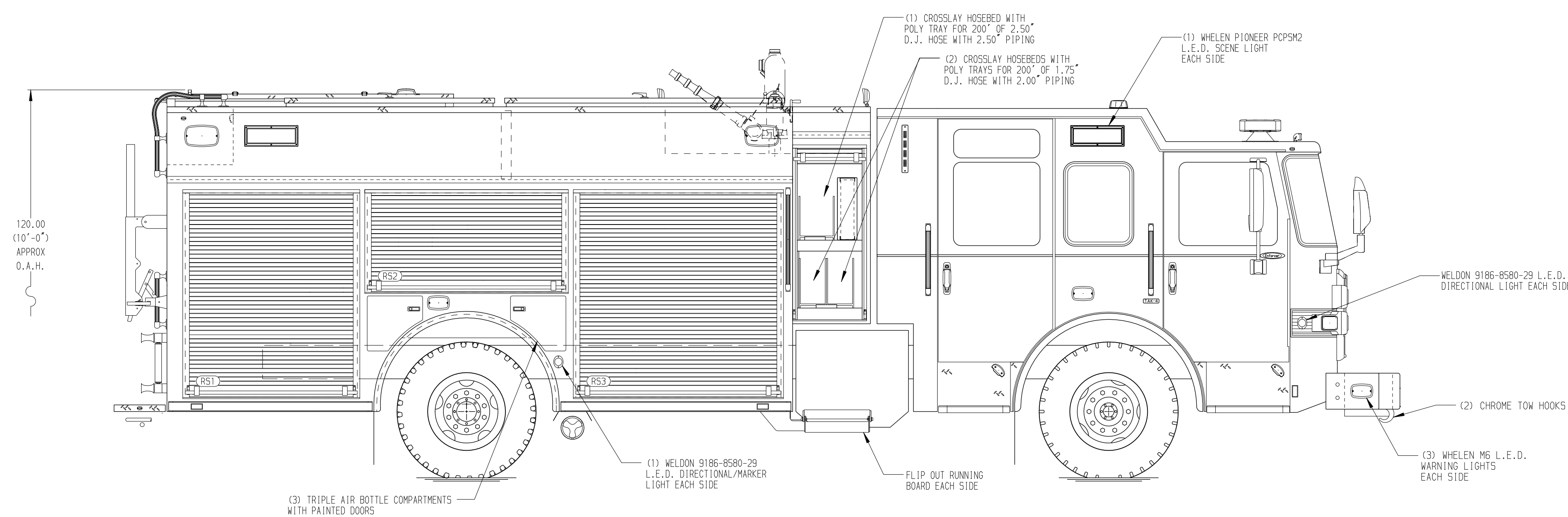
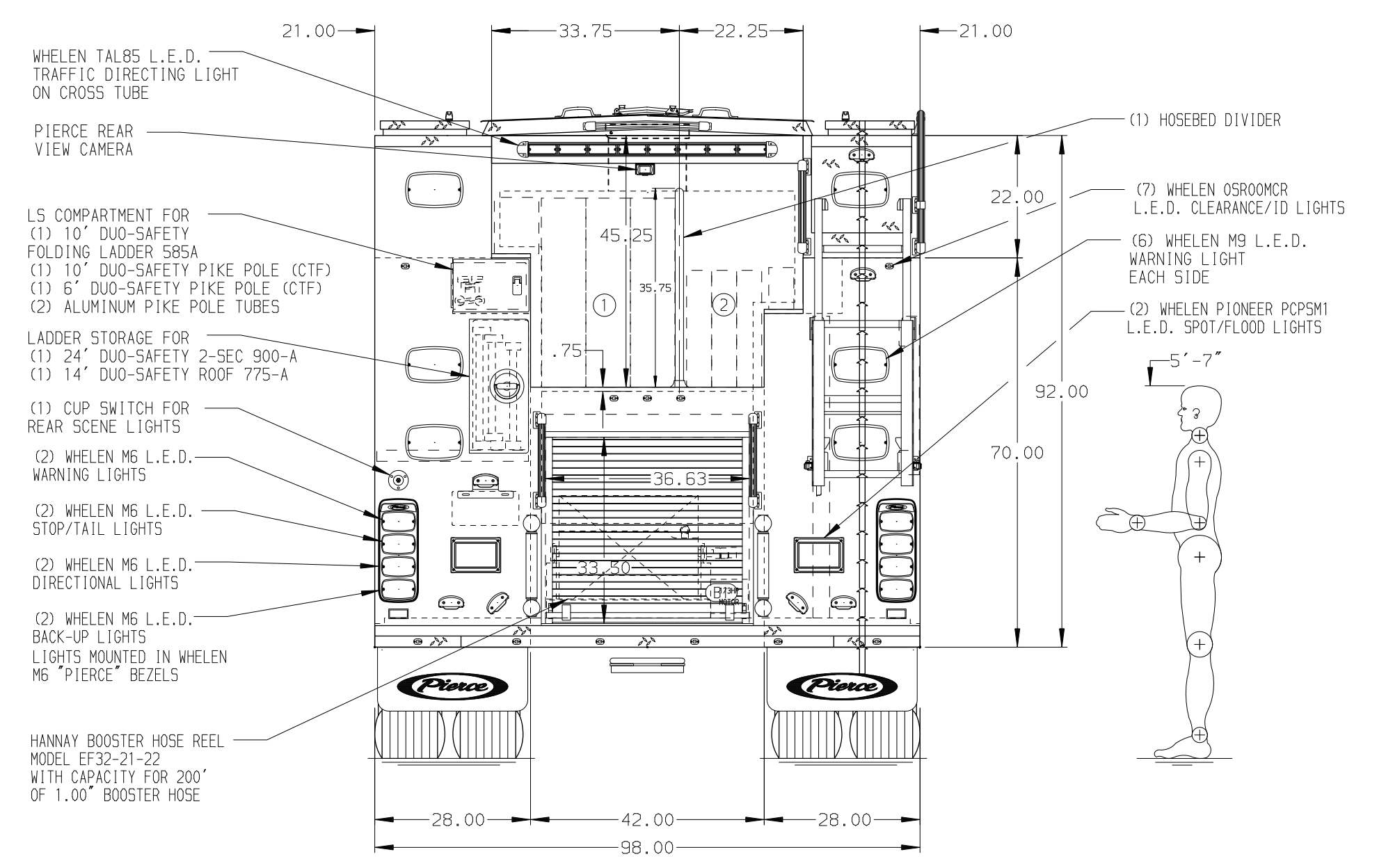
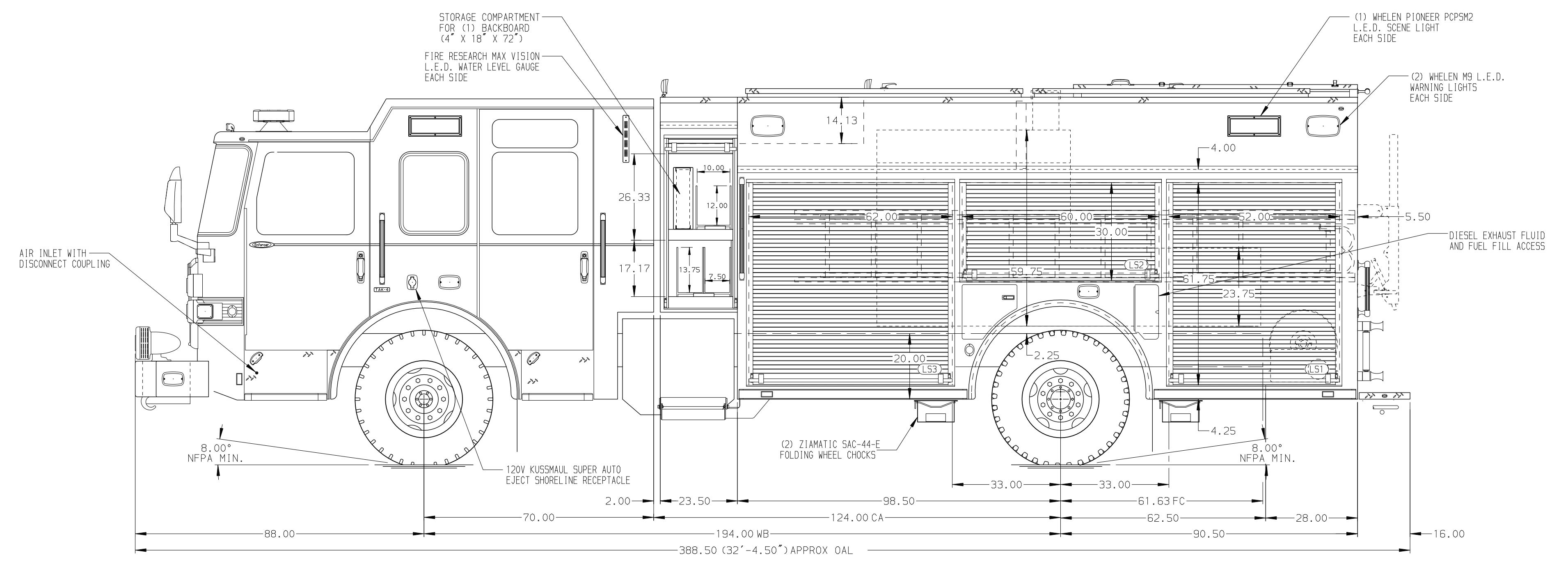


8 7 6 5 4 3 2 1



HOSEBED CAPACITIES
 ① 1000' OF 5.00" D.J. HOSE
 ② 600' OF 2.50" D.J. HOSE



ALUMINUM BODY SIDE ROLL AND FRONTAL IMPACT PROTECTION

NOTE
 DIMENSIONS SHOWN ARE APPROXIMATE AND ARE SUBJECT TO MINOR DEVIATIONS AS MAY OCCUR OR BE NECESSARY IN CONSTRUCTION. MINOR DETAILS NOT SHOWN.

- 1. BATTERY CHARGER LOCATED BEHIND THE DRIVER'S SEAT
- 2. BATTERY CHARGER INDICATOR LOCATED ON DRIVER'S SEAT RISER
- 3. DUAL L.E.D. LIGHT STRIPS LOCATED IN HOSE BED
- 4. SEVEN FULL WIDTH/DEPTH ADJUSTABLE SHELVES LOCATED PER ORDER
- 5. THREE FLOOR MOUNTED SLIDE-OUT TRAYS WITH SIDE SLIDES LOCATED PER ORDER
- 6. THREE SWING-OUT ALUMINUM TOOL BOARDS LOCATED PER ORDER
- 7. PARTITION BETWEEN L51/B1 AND RS1/B1

CUSTOMER APPROVAL				Pierce MANUFACTURING INC.		JOB NO.	41340		
APPROVED BY: _____						SCALE	1:24		
DATE: _____						DATE	DATE		
CHASSIS DATA	TITLE	2000-D-750P, 730 WATER W/20 FOAM, 189" PUC RESCUE					DRAWN BY	MMF	07DEC23
MAKE	FOR	Black Jack Fire Protection District					CHECKED BY	CWI	07DEC23
PIERCE							SHEET SIZE	D	SHEET NO.
MODEL	DWG NO.	41340AD							1 OF 1
ENFORCER									